

Electric Service Bulletin No. 759B – April 2014

Supplement to  
**Specifications for  
Electrical Installations**  
Underground Commercial Distribution (UCD)  
Installation and Responsibility Guide



**Liberty Utilities**<sup>SM</sup>



**UNDERGROUND COMMERCIAL DISTRIBUTION (UCD)**

**INSTALLATION AND RESPONSIBILITY GUIDE**

**SUPPLEMENT TO SPECIFICATIONS FOR**

**ELECTRICAL INSTALLATIONS**

**ELECTRIC SYSTEM BULLETIN No. 759B**

**April 2014**



## TABLE OF CONTENT

UCD Specifications and Installation Guide Acknowledgement (Job Spec/SignoffForms).....	5
1.0 Scope .....	9
2.0 General Requirements .....	9
3.0 Type of Service.....	9
4.0 Plans.....	10
5.0 Permits .....	10
6.0 Easements .....	11
7.0 Responsibility and Ownership.....	11
8.0 Transformer Clearance from a Building .....	14
9.0 Transformer Clearance from Objects.....	15
10.0 Transformer Accessibility .....	15
11.0 Transformer Mechanical Protection/Bollards .....	16
12.0 Transformer Pad .....	17
13.0 Transformer Secondary.....	17
13.1 Transformer Secondary Connections .....	19
13.2 Secondary Bolt Assembly .....	19
13.2 Secondary Splice Box .....	20
14.0 Transformer Sweep Entry .....	20
15.0 Transformer Ground Grid and Bonding.....	20
16.0 Transformer Oil Containment .....	22
17.0 Riser Pole.....	24
18.0 Heavy Duty Handhole .....	25
19.0 Primary Cable Pull/Splice Box .....	26
20.0 Trench Requirements .....	27
20.0.1 Typical Trenches.....	28
21.0 Conduit Requirements.....	29
21.1 Pulling Tape.....	30
21.2 Trench and Conduit System Inspection .....	30
22.0 Primary Cable, Conduit System, and Electrical Equipment.....	30
23.0 Secondary Cable and Conduit System .....	30
24.0 Metering .....	31
25.0 Manhole.....	31
25.1 Manhole Frame, Ring and Cover .....	32
25.2 Switchgear Manhole .....	33
25.3 Switchgear Manhole Ground Grid .....	36
25.4 Switchgear Manhole Bollard Layout .....	37
26.0 Switchgear Fiberglass Base with Conduit Entry's .....	38
26.1 Switchgear Fiberglass Base Ground Grid .....	39
26.2 Switchgear Fiberglass Boxpad Bollard Layout.....	40
27.0 Transformer Pad Specifications .....	41
28.0 Sample Installations .....	45
29.0 Bollard Detail .....	48
30.0 Concrete Specifications .....	49
31.0 Easement Applications .....	53
32.0 Approved Precast Concrete Manufacturers .....	55
33.0 Approved Materials – Underground Commercial Installations.....	56

<b>34.0 Other Material/Suppliers.....</b>	<b>58</b>
<b>35.0 Job Check-off Sheet .....</b>	<b>59</b>
<b>36.0 Cable Installation Maximum Pull Chart.....</b>	<b>61</b>
<b>37.0 Padmount Transformer Compartment Sealing Requirement .....</b>	<b>62</b>
<b>38.0 Revision History.....</b>	<b>63</b>

**URD Specifications and Installation Guide Acknowledgement (Job Spec/Signoff Forms)**

The requirements and specifications outlined in this guide book must be strictly followed. Any requirements not adhered to can pose safety problems, can be detrimental to the installed system and must be corrected before final acceptance. The *Customer* will bear full cost to make corrections to sub-standard installations.

The *Customer* is responsible to provide enough lead time for the *Company* to design job, provide inspections and install *Company* equipment where applicable.

Typical lead times are shown below.

	<b>Lead-Time</b>	<b>Notes</b>
Design and Layout	Eight weeks	Company receives all required plans, load data and easement information
Trench, Conduit and Equipment Inspection	Three days	Company inspector
Company Installation	Four weeks	After all inspections are approved and permits/ easements are procured
Material Pick up	10 Days	Company inspector
<b>NOTE: The above times are estimates only.</b>		

Project Title \_\_\_\_\_

Location \_\_\_\_\_

Owner/Developer \_\_\_\_\_

Customer's Representative \_\_\_\_\_ Date \_\_\_\_\_

Company Representative \_\_\_\_\_ Date \_\_\_\_\_

**Company's Copy**



**URD Specifications and Installation Guide Acknowledgement (Job Spec/Signoff Forms)**

The requirements and specifications outlined in this guide book must be strictly followed. Any requirements not adhered to can pose safety problems, can be detrimental to the installed system and must be corrected before final acceptance. The *Customer* will bear full cost to make corrections to sub-standard installations.

The *Customer* is responsible to provide enough lead time for the *Company* to design job, provide inspections and install *Company* equipment where applicable.

Typical lead times are shown below.

	<b>Lead-Time</b>	<b>Notes</b>
Design and Layout	Eight weeks	Company receives all required plans, load data and easement information
Trench, Conduit and Equipment Inspection	Three days	Company inspector
Company Installation	Four weeks	After all inspections are approved and permits/easements are procured
Material Pick up	10 Days	Company inspector
<b>NOTE: The above times are estimates only.</b>		

Project Title \_\_\_\_\_

Location \_\_\_\_\_

Owner/Developer \_\_\_\_\_

Customer's Representative \_\_\_\_\_ Date \_\_\_\_\_

Company Representative \_\_\_\_\_ Date \_\_\_\_\_

**Customer's Copy**





## 1.0 Scope

The purpose of this specification is to define, interpret and clarify the scope of work and materials dealing with Underground Commercial Developments and Primary Radial Services to padmounted transformers. This document is a Supplement to Electric Service Bulletin (ESB) 750. This specification does not cover any primary metering.

It is important that the Specifications for Electrical Installations book (ESB 750) be obtained and referred to in conjunction with this supplement for these installations. Any reference in this specification to the Company shall mean the Liberty Utilities' Company. Any reference to the Customer shall mean the Contractor, Developer or property owner.

## 2.0 General Requirements

All electrical wiring to be connected to the *Company* equipment shall be installed in accordance with one or all of the following:

- Local Municipal Inspection Authority
- State's Electrical Code
- National Electrical Code
- National Electric Safety Code
- Applicable Distribution Construction Standards of the *Company*
- Liberty Utilities' Specifications for Electrical Installations (ESB750)

There shall be no attempt to deviate from either the Distribution Construction Standards of the *Company* or the *Company* construction plan without the approval of the *Company*. Any specifications noted shall supersede the Specifications for Electrical Installations Booklet unless otherwise approved by the *Company*.

Often a pre-construction meeting is helpful to all parties to ensure timely completion of the project. The *Company* Business Service Representative will make the necessary arrangements for a pre-construction meeting, or a meeting to discuss changes. *Company* representatives will be available to discuss construction problems when requested or during a field visit.

References:

ESB750 – Specifications for Electrical Installations

ESB759A – URD Installation and Responsibility Guide

The *Customer* shall be responsible to have all electrical and physical design documents prepared and updated by a design professional, in accordance with Section 1.7 of ESB 750 for trenching, conduit, transformer foundation pad, and handhole installations.

## 3.0 Type of Service

Electric service shall be three phase, four wire, 120/208 or 277/480 volt supplied from a padmount transformer to be located on the *Customer's* premises. The primary electrical service to the padmounted transformer will be supplied from a Company Electric Power System (EPS) pole or Main Primary System cable and this primary service to the padmount transformer shall be customer owned.

#### 4.0 Plans and Documentation

The *Company* may require the *Customer* to provide, in advance of engineering design and at no cost to the *Company*, the following:

- i. a complete copy of construction plans including the subdivision plans approved by the planning board in the municipality, if such is required by the municipality;
- ii. the estimated new or additional electrical loads, as far as is known by the *Customer*, or the names and estimated loads of proposed tenants or buyers for each building or the proposed type of occupant, as far as is known by the *Customer*, barring a known occupant, the *Customer's* best estimates of the likely load of each proposed building;
- iii. all applicable documents required for the *Company* to prepare an easement for its facilities to be installed on private property;
- iv. a copy of the approval of the planning board for the subdivision, if such is required;
- v. a copy of all permits and approvals that have been obtained for construction;
- vi. the name and address of the financial institution providing financing for the *Customer*, including a contact person and phone number;
- vii. a copy of a street light proposal for the development, approved by the municipality, or written notice from the municipality that street lighting will not be required. If installation is requested after construction is complete, additional cost may be borne by the municipality and/or *Customer* if the appropriate tariff does not collect all costs of construction;
- viii. a schedule of the *Customer's* best estimate for construction; and
- ix. such other reasonable information that may be requested.

#### 5.0 Permits

In general, all applicable permits necessary to trench and excavate, including street openings and wetland permits, shall be obtained by the *Customer* and made available upon request if necessary. The *Customer* shall be responsible for including these padmount and conduit/trench specifications with the wetlands application for developments located in or near wetlands. A copy of the wetlands permit may be requested by the *Company* prior to acceptance of the conduit/trench system by the *Company*.

The excavator doing the excavation shall obtain the required Dig Safe® (811) permits before any excavation may take place in a public or private way. The *Customer* doing the excavation is urged to obtain copies of the applicable statute and become familiar with its requirements, refer to RSA 374 NH Dig Safe Law and NHPUC 800 Rules Underground Utility Damage Prevention Program. Similarly, the *Customer* shall determine if the municipality in which the excavation is to be done requires that water, sewer or other utility, municipal or private, be contacted separately.

The *Customer* shall certify to the *Company* that areas in which the *Company* is to perform installation or maintenance work is free of preexisting contamination by hazardous wastes or materials and to indemnify the *Company* for any claims, costs, expensed, suits, demands, citations, fines or damages of any kind arising from the presence of any such contamination.

## 6.0 Easements

As a condition of service, the Applicant or *Customer* must provide the *Company* with an easement(s), properly executed by all owners of record drafted by the *Company*, for all *Company* owned facilities located on private property (to include User and Private Ways), whether or not such private property is owned by the *Customer*. The Applicant or *Customer* will provide such easement(s) prior to the start of the *Company's* construction and at no cost to the *Company*. The Applicant or *Customer* shall provide a copy of its mortgage and deed, together with a copy of the survey and/or plan of record, for the *Company's* use in preparation of the easement(s) as well as any other documents necessary for the *Company* to prepare such easement(s).

### Rights-of-Way, Easements

In UCD, URD, or multiple occupancy building applications, the *Customer* shall provide the *Company* with two copies of the approved development map, certified as final by a design professional or licensed land surveyor, which the plan shall have been recorded or filed with the Registry of Deeds. The map shall indicate lot lines, building set back lines, grade lines, sidewalk, roadway, sewer, water, drainage, and other facilities. The map shall also include the identification and, where appropriate, delineation of sensitive environmental resources including, but not limited to, wetlands, streams, archaeologically sensitive areas, and hazardous waste disposal areas, etc. In addition to this base information, this map shall clearly indicate the easement strips dedicated to the *Company* and the location of the lots (units) for which electric service is requested. The governmental authority having control over land use shall approve this map. In addition, when electronic maps are used, the *Customer* must consult with the *Company* on method of submittal.

Rights-of-way and easements must be cleared of any obstructions at no charge to the company. The applicant shall grade the right-of-way or easement to within six inches (150 mm) of final grade before the *Company* commences construction. The applicant must maintain the *Company's* clearance and grading requirements.

Easement application forms are located on pages 53 and 54.

## 7.0 Responsibility and Ownership

The division of ownership and responsibility shall be as outlined below, as specified by the State of New Hampshire PUC Tariff for Retail Delivery Service. Typical installation specifications to reflect installation practices are shown in the back of this guide.

### 7.0.1 Underground Primary Radial Service Located on Private Property to an Individual Residential, Commercial or Industrial Customers

The *Company* will connect the *Customer's* underground primary distribution line extension to the *Company's* distribution system under the conditions shown below.

#### **The Company shall be responsible for:**

- Developing the plan to provide underground electric service;
- Designating the location of all *Company* owned equipment, the service entrance, and meter location;
- Designating riser pole location or underground switching cubicle for primary service;
- Designating pad mount transformer location with protection (bollards), if required, and if oil containment is required for foundation pad;
- Providing the *Company* owned boxpad and grounding for single phase pad mount transformer;
- Inspecting transformer pad installations (including ground grid) to *Company* specifications;
- Providing, installing, owning and maintaining:
  - 3 Phase Pad Mount Transformer or Single Phase Pad Mount Transformer
  - Current and Potential Transformers and Metering

**Note:** *Company* will provide, but not install CT's in CT cabinet.

- Making the final connections to the pad mount transformer's secondary bushings.
- Owning and maintaining:
  - Secondary cable installed by the *Customer* from pad mount transformer to splice box, if required.

The *Company* may, at its option, be exempt from undertaking construction during the period of December 1, to April 1 each year.

**The Customer, at no cost to Company, shall be responsible for:**

- Providing, prior to the start of the *Company's* construction, all applicable documents required for the *Company* to prepare easements for its facilities to be installed on private property;
- Providing, prior to the start of the *Company's* construction, a signed easement, drafted by the *Company*, for *Company* owned equipment on private property;
- Providing and installing all required foundations, handholes, manholes, grounding systems, primary and secondary cable and cable terminations, and conduit including spacers, glue and pulling strings, etc. The *Customer* shall install primary cable of sufficient length to reach *Company's* termination bracket on pole. This measurement will be supplied by the *Company* at request of *Customer*. Once this measurement has been done, *Customer* will install cable terminations and *Company* will install cable on the riser pole and cover with U-Duct;
- Providing a primary riser, 8 feet above ground shall be galvanized steel, including 90 degree steel sweep flush mount to pole designated by *Company*, and bonding clamp with copper wire tap for grounding. The *Company* will install ground rod and complete bonding requirements;
- Retaining ownership of transformer foundations, grounding systems, all primary and secondary cables, conduit, and concrete encasement when required (subject to state or local authorities);
- Installing *Company* owned and supplied boxpad for single phase pad mount transformer foundation and grounding (Residential only), as indicated on the *Company's* plan and related construction documents;
- Providing, installing, owning, and maintaining:
  - Transformer pad, reinforcement and grounding (per *Company* specifications);
  - Oil containment where required by the *Company* or local authority, (per *Company* specifications);
  - Transformer mechanical protection (bollards) as designated by *Company* (per *Company* Specifications);
- All secondary equipment (including a secondary splice box, if required) from the *Company's* equipment to the designated meter locations(s);
- Self-contained meter box and CT Cabinet (*Company* specified) where required by *Company*, Refer to ESB #750 Specifications for Electrical Installations 2012 for metering requirements;
- For phase rotation and secondary phasing at energization, for 3 phase service;
- Supply and install to *Company's* specification:
  - Secondary cable from transformer to splice box, if required,
  - And connect (finger tight) secondary cable terminations to transformer secondary bushings to allow *Company* to make final connection (proper torque of connections).

**Note: The *Customer* will be held accountable for any transformer damage occurring during construction or due to improper secondary installation.**

## **7.0.2 Underground Primary Service to Commercial & Industrial Developments (UCD)**

The division of ownership and responsibility shall be as outlined below, as specified by the State of New Hampshire PUC Tariff for Retail Delivery Service. Typical installation specifications to reflect installation practices are shown in the back of this guide.

**The Company shall be responsible for:**

- Developing the plan to provide underground electric infrastructure along the traveled way;
- Supplying a list of approved manufacturers and their part numbers for equipment to be supplied by the *Customer* (See Pages 55 – 58);
- Designating the location of all *Company* owned equipment, the service entrance and meter location, excluding street lights;
- Determine if oil containment shall be required for pad mount transformer installation;
- Determine if padmount transformer and switchgear protection (bollards) is required and designating location;
- Making all connections to *Company* equipment;
- Inspecting and approving of the underground conduit system and equipment foundations installed by the *Customer* (Per *Company* Specifications), prior to backfilling;
- Providing, installing, owning and maintaining all transformers, primary cable, primary cable terminations, switchgear, and switching enclosures and related primary equipment;
- Providing *Company* owned street light foundations, street lights, and meters;
- Provide meters, current and potential transformers. *Company* will not install CTs in *Customer's* CT cabinet.
- Make all final connections, including final torque, to *Company*-owned equipment

**The Customer, at no cost to the Company, shall be responsible for:**

- Providing, prior to the start of the *Company's* construction, all applicable documents required for the *Company* to prepare easements for its facilities to be installed on private property;
- Providing, prior to the start of the *Company's* construction, a signed easement, drafted by the *Company*, for *Company* owned equipment on private property;
- Providing and installing all required foundations (except for *Company* owned street light foundations), handholes, manholes, splice/pull boxes, grounding systems, and conduit, and concrete encasement when required, including spacers, glue, and pulling strings, etc., as indicated on the *Company's* plan and related construction documents (Per *Company* Specifications);
- Installing foundations, provided by *Company*, for *Company* owned street lights;
- Supplying copies of all invoices, when requested, indicating manufacturer and part number for all such equipment above; equipment that is not approved shall not be used without the prior written consent of the *Company*;
- Turn over ownership of the conduit and manhole system, to the *Company* upon inspection and acceptance of the conduit and manhole system by the *Company*;
- Furnishing and installing transformer and switchgear mechanical protection (bollards) and material for oil containment under pad mounted transformers where required (Per *Company* Specifications);
- All secondary equipment (including a secondary splice box, if required) from the *Company's* equipment to the designated meter locations(s);
- Self-contained meter box and CT Cabinet (*Company* specified) where required by *Company*, Refer to ESB #750 Specifications for Electrical Installations 2012 for metering requirements;
- For phase rotation and secondary phasing at energization, for 3 phase service;
- Supply and install to *Company's* specification:
  - Secondary cable from transformer to splice box, if required,
  - And connect (finger tight) secondary cable terminations to transformer secondary bushings to allow *Company* to make final connection (proper torque of connections).

**Note: The *Customer* will be held accountable for any transformer damage occurring during construction or due to improper secondary installation.**



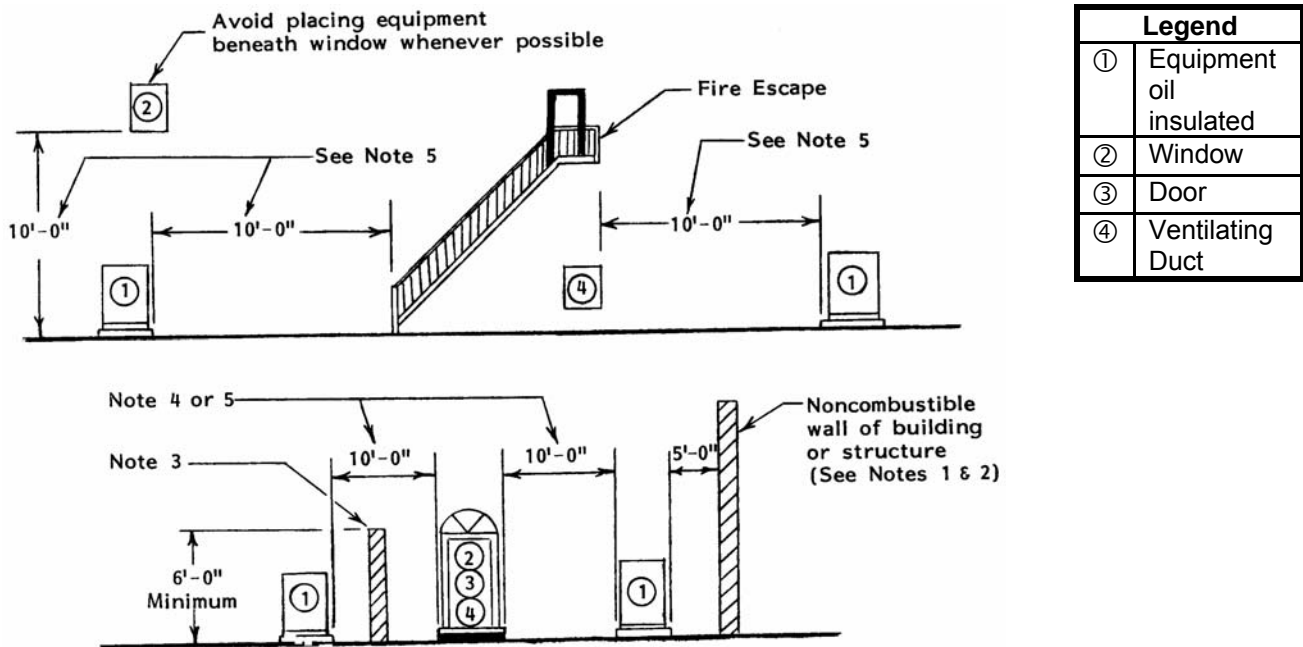
The *Company* may, at its discretion, construct the underground distribution line in segments, rather than all at once in the proposed development. The *Company* may, at its option, be exempt from undertaking construction during the period of December 1, to April 1 each year.

If the *Customer* is interested in installing a street lighting system in the development please contact the *Company's* Customer Care Business Services contact to review options and ownership and the division of ownership's responsibilities for installation and maintaining the lighting system.

### 8.0 Transformer Clearance from a Building

Oil insulated equipment shall be located in compliance with the minimum clearances indicated below. For existing buildings, the transformer shall not block access to existing building systems, such as wall mounted fire sprinkler systems. The building owner's and/or tenants fire insurance carrier or local inspection authority may restrict the proximity of the equipment to doors, windows or combustible materials. It is the customer/developer's responsibility to determine the acceptability of the proposed location of the equipment.

The clearances, line of sight, shall apply to doorways, windows, ventilation ducts and fire escapes.



**Notes:**

1. Noncombustible material is defined as a material that will not ignite, burn, support combustion or release flammable vapors, when subjected to fire or heat, or as described by the latest edition of the NFPA-220.
2. No portion of a building or building structure shall overhang any part of the pad-mounted equipment.
3. In cases where required distances cannot be met, a noncombustible barrier, 6 foot minimum height, shall be constructed. This barrier shall be designed to provide adequate fire protection to the existing structure. A design for this structure shall be prepared and sealed by the customer's Professional Engineer or Registered Architect and shall further be approved by the local authority having jurisdiction of building code enforcement.
4. For exits from a public assembly room, such as an auditorium, a 10 foot minimum clearance should be increased to 25 feet, unless there is a barrier.
5. This requirement may vary between individual states. Refer to the building code regulations for the state involved.

## 9.0 Transformer Clearance from Objects

Clearances from objects:

- A. An area measuring 10 feet from any point of the transformer pad shall be kept free of all:
- buried water lines, storm drainage lines, gas lines, other electric lines;
  - underground fuel storage tanks; and
  - above grade fire hydrants, cell towers, self contained diesel or diesel byproduct fueled generators, and outdoor enclosed generators.

**NOTE:** The 10 ft. clearance may be reduced with a noncombustible barrier (see Note 3) and shall not be less than five (5) feet from the edge of the transformer pad. The *Customer* or their authorized representative shall obtain this clearance reduction approval from the *Company* and the local AHJ(Authority Having Jurisdiction), as necessary, prior to the noncombustible barrier installation.

- B. An area measuring 25 feet from any point of the transformer pad shall be kept free of all:
- exposed water lines, gas piping, sewer lines;
  - open conductor electric lines; and
  - above grade gas meters or regulator vents, fuel storage tanks or dispensing units, and non-enclosed gasoline/ propane / LP or LNG gas fueled generators.
  - chemical storage silos / tanks.

**NOTE:** The 25 ft. clearance may be reduced to 10 ft. with a noncombustible barrier (see Note 3) and shall not be less than five (5) feet from the edge of the transformer pad. The *Customer* or their authorized representative shall obtain this clearance reduction approval from the *Company* and the local AHJ (Authority Having Jurisdiction), as necessary, prior to the noncombustible barrier installation.

## 10.0 Transformer Accessibility

Equipment shall be located within 10 feet of a way open to vehicular traffic and a minimum distance from any structure such as poles, fences, etc. as a means to permit accessibility for installation and maintenance. A minimum of 10 feet of clear space shall be maintained in front of the equipment doors to permit installation and removal of separable connectors and fuses with shotgun stick.



### 11.0 Transformer Mechanical Protection/Bollards

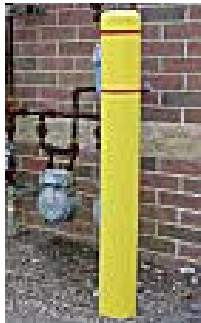
Whenever possible, equipment should be located so it is not subject to vehicular damage. If this is not feasible, adequate guards such as concrete filled pipes (Bollards) shall be placed to protect the equipment. Bollards shall consist of 6 inch minimum diameter hot dip galvanized or painted steel pipes filled with concrete. When Bollards can not be painted at the time of installation, yellow bollard covers shall be installed. Page 58 shows manufacturer. Bollards are to be 5 feet above the ground and a minimum of 4 feet below the ground. Bollards are to be set in a concrete footing as shown in detail below. Concrete is to be crowned on top of all bollards. Bollards shall be installed with due care to avoid interfering with ground grid and conduits. Refer to Pages 41 thru 44 for Transformer Pad dimensions. For switchgear locations, see pages 38 and 39.

The number, type (galvanized or steel) and locations of bollards shall be determined by Liberty Utilities Distribution Design, taking into account proximity to traffic and to buildings as well as other barriers to traffic. Other factors such as salt spray and fertilizers may impact type of bollard required. Suggested bollard locations and dimensions are shown below. The location of bollards shall not impede a door opening of 100 degrees.

--	--	--

Blow up drawing detailing this is located on page 47

<b>Bollards Required</b>	●
<b>Bollards Not Required</b>	⊗



Picture of Bollard cover, use for when Bollards can not be painted.

**Notes:**

1. Six foot minimum clearance from front of pad.
2. Design Engineering shall designate the number and location of Bollards by marking the Bollards of this drawing as follows:
3. Bollards shall be supported with a 12" minimum diameter concrete footing 6" below grade to base of the bollard.
4. For installations around oil containment curbs, install bollards six feet minimum on all applicable sides.

## 12.0 Transformer Pad

The *Customer* shall provide and install a concrete transformer foundation in accordance with the *Company* standards. Precast concrete transformer foundations (preferred installation) built to *Company* standards are available from a variety of vendors listed on page 56. Spec sheets of the different size pads are shown on pages 41 thru 44.

Cast in place pads shall meet the following specifications. Concrete shall be a Mix M-4 detailed specifications are on pages 48 thru 52. Reinforcing in pad shall be # 5 grade 60 bars and shall conform to ASTM STANDARD A-615 of latest date. Reinforcing rods are to be located in center of the slab, with a minimum of 2 inches of clearance from face of concrete. All transformer pads must have and adequate base of 2 inches of sand and 12 inches of gravel as shown on Pages 41 thru 44. The gravel shall be thoroughly compacted and the sand thoroughly wetted immediately before placing the concrete.

The location of the concrete transformer pad, on the *Customer* premises, shall be approved by the *Company* in advance of the construction. The *Company* must, with sufficient notification (24 hours minimum) from the *Customer*, inspect the forming and reinforcing of the pad, the sub grade preparation, and the ground grid **prior** to the pouring of concrete. This requirement is critical. Failure to have inspection done may result in the need to remove and rebuild the concrete foundation

## 13.0 Transformer Secondary

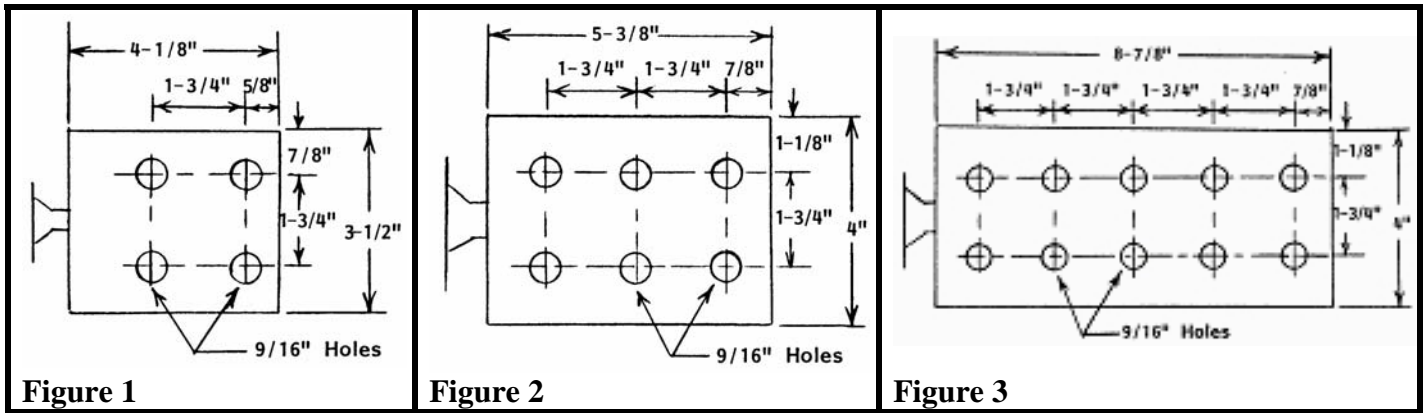
Size and number of secondary cables shall be in accordance with the NEC and shall be approved by the electrical inspector or AHJ of the town or city involved. Maximum number of secondary cables to be physically connected to the *Company's* pad-mounted transformer is outlined below:

4 Hole Spades	6 sets 750 kcmil Max.
6 Hole Spades	8 sets 750 kcmil Max.
10 Hole Spades	10 sets 600 kcmil or 8 sets of 750 kcmil

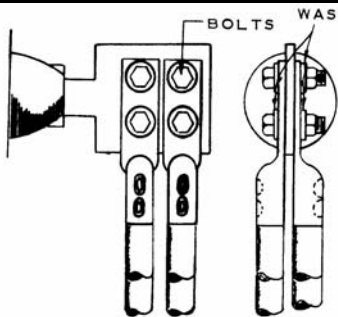
Secondary cable requirements greater than this, will require a separate compartment, handhole, or bus duct.

Secondary cable shall not be installed until pad mount transformer has been set to ensure adequate length of secondary cable and connections.

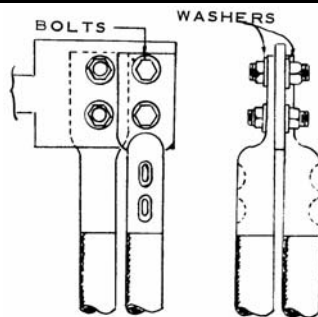
All acceptable spade terminals are shown in Figures 1, 2 and 3. Minimum terminal thickness is to be ¼ inch, with <sup>9</sup>/<sub>16</sub> inch holes.



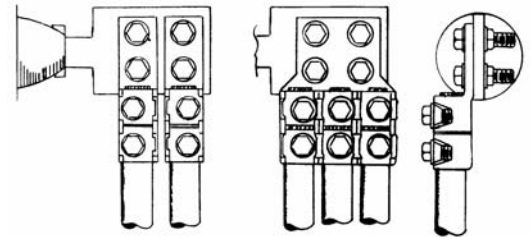
kVA Rating	L.V. Rating	kVA Rating	L.V. Rating	kVA Rating	L.V. Rating
75 – 300	208Y/120	500	208Y/120	750 – 1000	208Y/120
75 – 500	480Y/277	750 – 1500	480Y/277	2000 – 2500	480Y/277



**Figure 4**  
4 Cables – 500 kcmil & Below



**Figure 5**



**Figure 6**

**Notes:**

1. Figure 4 – Compression connections will accommodate up to four cables with a maximum individual lug width of 1¼ inch.
2. Figure 5 – Compression connections will accommodate two cables with lug greater than 1¾ inch width.
3. Figure 6 – Typical example of bolted connections for two, four or six cables to maximum capacity of lug.
4. Metering (CT's) mounted inside the padmounted transformer may reduce the number of sets of secondary that can be installed by blocking off some holes on the secondary spade. In some cases the customer may be required to purchase a secondary splice box.
5. A list of a few manufacturers that supply the connectors is located on page 58.

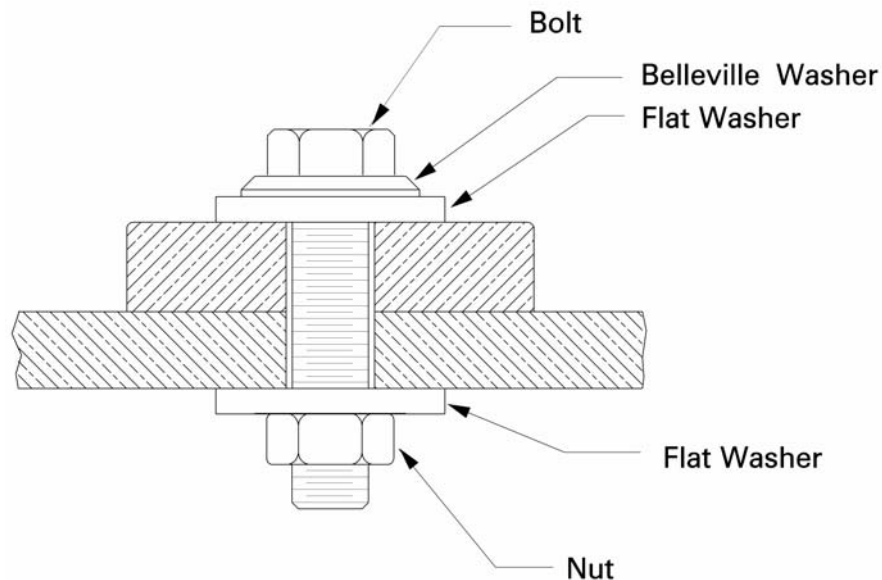
### 13.1 Transformer Secondary Connections

All connectors and connector fasteners shall be furnished, installed, owned and maintained by the customer/developer. The customer/developer/electrician shall install secondary connections to the secondary spades of the padmount transformer finger tight. Connectors shall be approved by the *Company* prior to purchase. Final electrical connection to the transformer secondary terminals shall be made by the *Company*, to assure a final torque of 40 foot pounds and to prevent damage to secondary bushings. Size and number of secondary cables shall be in accordance with the NEC and shall be approved by the electrical inspector or AHJ for the town or city involved. The *Customer* shall be responsible for proper phase rotation and secondary phasing at time of energization.

### 13.2 Secondary Bolt Assembly

The customer/developer shall supply and install aluminum connectors for use with aluminum cable. or copper connectors for use with copper cable. Tin plated connectors can also be used as an alternate connector for aluminum and copper connectors. Connector shall be a cable to flat clamp or compression type connector, with a minimum of two holes in the flat pad and two clamping elements or two compressions per cable, and must be approved by company representative. Bolts and flat washers shall be grade 304 stainless steel. Belleville washers shall be grade 301 stainless steel. Nuts shall be waxed grade 316 stainless steel.

- A. A flat washer is placed between the concave side of the belleville washer and the surface of the member being joined. The belleville is thus captured between the head of the bolt and the large flat washer. The flat washer should have an outside diameter greater than the flattened belleville's such that no overhand results. Select a flat washer that is twice as thick as the belleville for strength. (If not available, stack two or three thinner washers to achieve the same effect).
- B. With the belleville washer captured between the flat washer and the bolt head, fit the assembly into its hole. When the washers are fitted in position, there should be no interference with washers of adjacent bolts and no overhang over surface edges.
- C. Tighten the nut on the bolt (with a washer of its own) until a sudden, noticeable increase in torque is required to continue. The belleville washer is now flat. It is not necessary to "back off" the nut after tightening to this point.



### 13.3 Secondary Splice Box

A secondary splice box may be required where the *Customer's* number of secondary cables exceeds the maximum allowed amount on the transformer. Supplying and installing this box is the *Customer's* responsibility. The cables from the transformer to this box are to be specified by *Company's* representative. The *Customer* is responsible to supply and install the cables.

Once the service is energized the *Company* will take over ownership of only the secondary cables from the transformer to the secondary splice box.

A list of a few manufacturers that supply the secondary splice box is located on page 58.

### 14.0 Transformer Sweep Entry

Conduit shall be installed as shown on Pages 41 thru 44 before slab is poured. Use 36 inch radius sweeps, with couplings, nipples and bushings as required. Sweeps for primary cables shall be galvanized steel or PVC. Conduits shall be raised a minimum of 1 inch approximately over the concrete slab. Expanding foam Hilti Inc. CF810 or equivalent shall be used to fill inside the conduits after the primary/secondary is installed. Ownership of cable will determined who installs the foam on each cable. After pulling tape is in, install the expanding foam in any spare/empty conduits. Place a rag into empty conduits prior to the foam as a support for the foam while curing takes place.

After the concrete pad is cured, the remainder of the conduit primary and secondary openings through pad will be sealed with grout. Before sealing steel sweeps, the sweeps must have a bond clamp attached with a #4 Cu tap to connect to the ground grid. Fill the conduit primary and secondary openings with sand (no aggregate) to a grade of approximately 2 inches below the top of the concrete pad. Place a layer of concrete grout (no aggregate) 1 to 2 inches thick on top of the sand layer to seal the conduit entrance. Do not cover the conduit ground clamps with grout. The expanding foam may be used as an alternate for filling in the opening with sand and concrete grout. Ownership of conduits and pad will determine who seals openings. See page 62 for further details in *Company* bulletin 09-09 Three Phase Padmounted Transformer Sealing.

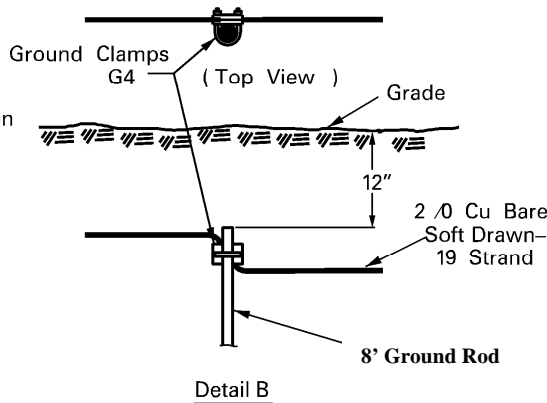
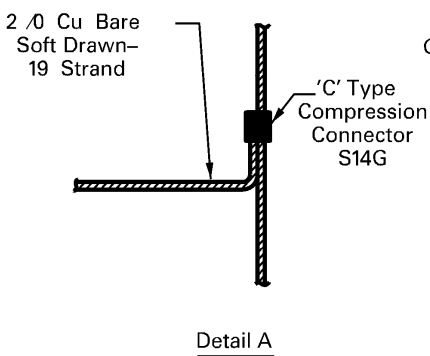
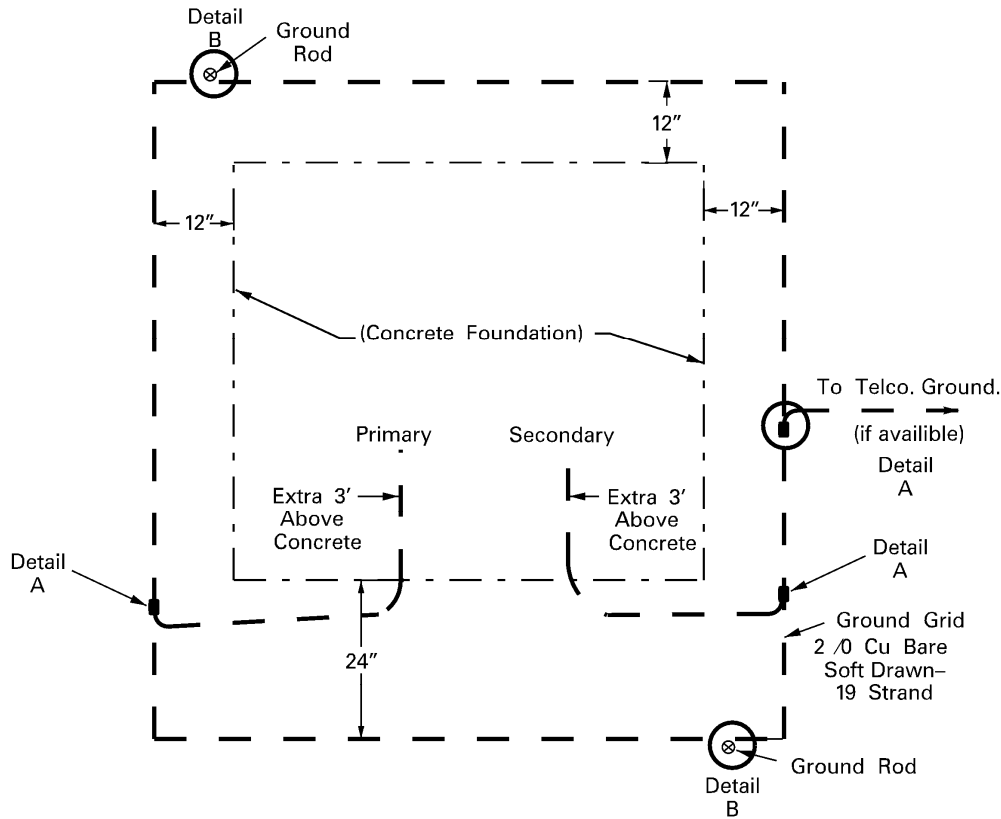
**Expanding Foam CF810 available at  
Hilti Inc. 1-800-879-8000  
Stuart C Irby Co 1-315-453-2970 and 1-315-329-0038  
Graybar, Manchester NH 603-624-8614**

Spare conduits can also be sealed with conduit plugs, see page 56 for a list of manufacturers.

### 15.0 Transformer Grounding and Bonding

The ground grid shall be 2/0, bare, soft drawn, 19 strand copper wire. The wire shall be installed 12 inches below finished grade and located around the transformer pad as shown on pages 20 - 21. Bond to all exposed metallic conduit and leave 3 feet of wire above pad for grounding transformer, one lead in the primary conduit window opening and the other lead in the secondary conduit window opening.

Two 5/8 inch diameter, 8 feet long copper weld ground rods and approved connectors shall be installed to 12" below finished grade. Leave the ground rods and grid exposed until inspected the Company. The ground grid is to be complete and backfilled prior to energizing the transformer. Connections to ground grid to be made as shown on Details A and B below, except that exothermic welding ("cad weld") shall be an acceptable alternative to a compression connection. Bolted connectors are only acceptable for the ground grid connections to the ground rods. The *Company* will install the ground taps onto the transformer.





## 16.0 Oil Containment

This is to be used where oil containment is required by local authorities or where otherwise justified. This liner system will significantly slow the migration of oil into the under laying sub grade, allowing additional time to initiate a cleanup response. The polypropylene geotextile allows the passage of water but absorbs small quantities of oil. This design is intended to confine 100% of total transformer oil present, with a 20% reserve margin, for up to 36 hours. If additional confinement is desired consult the *Company* Environmental Engineer. Follow the following installation steps. See Pages 22 - 23 for construction detail. A precast containment barrier is available as an alternate to casting one in place, check with the precast suppliers on page 56 for availability. Precast curb can be one piece or made up of separate pieces assembled in the field.

**Note:** *on field assembled pieces. All pieced must be sealed together with rope tar, rubber sealant or equivalent.*

- 1) Build oil curb, this should be installed with concrete in accordance with Mix #4 per concrete specifications on pages 49 thru 52. Reinforcement to be #4, grade 60 rods minimum, 6 inches on center, bend rods around corners. Curb to be 24" deep with a minimum thickness of 6".
- 2) Install geotextile liner from top of walls and around bottom of containment area. Areas where conduit crosses overlap liner around conduit and seal with expanding foam.
- 3) Install 6" of silty sand on top of liner.
- 4) Install second layer of geotextile liner as noted in step 2.
- 5) Build up area for transformer pad with 6" of compacted gravel and level.
- 6) Install ground grid.
- 7) Set/build transformer pad.
- 8) Fill in conduit openings with silty sand or expanding foam up to the last two inches of the pad
- 9) Fill rest of conduit opening with concrete grout or expanding foam.
- 10) Fill area between slab and curb with 1½ inches uniformly graded crushed rock.

## Geo-textile Liner

Generic name is: 16oz polypropylene geotextile also called filter fabric weighing 16oz/square yard.

Brand names / Suppliers are:

AME1680 available from American Engineering Fabrics (AEF), Inc.(Emphasize polypropylene not polyester)

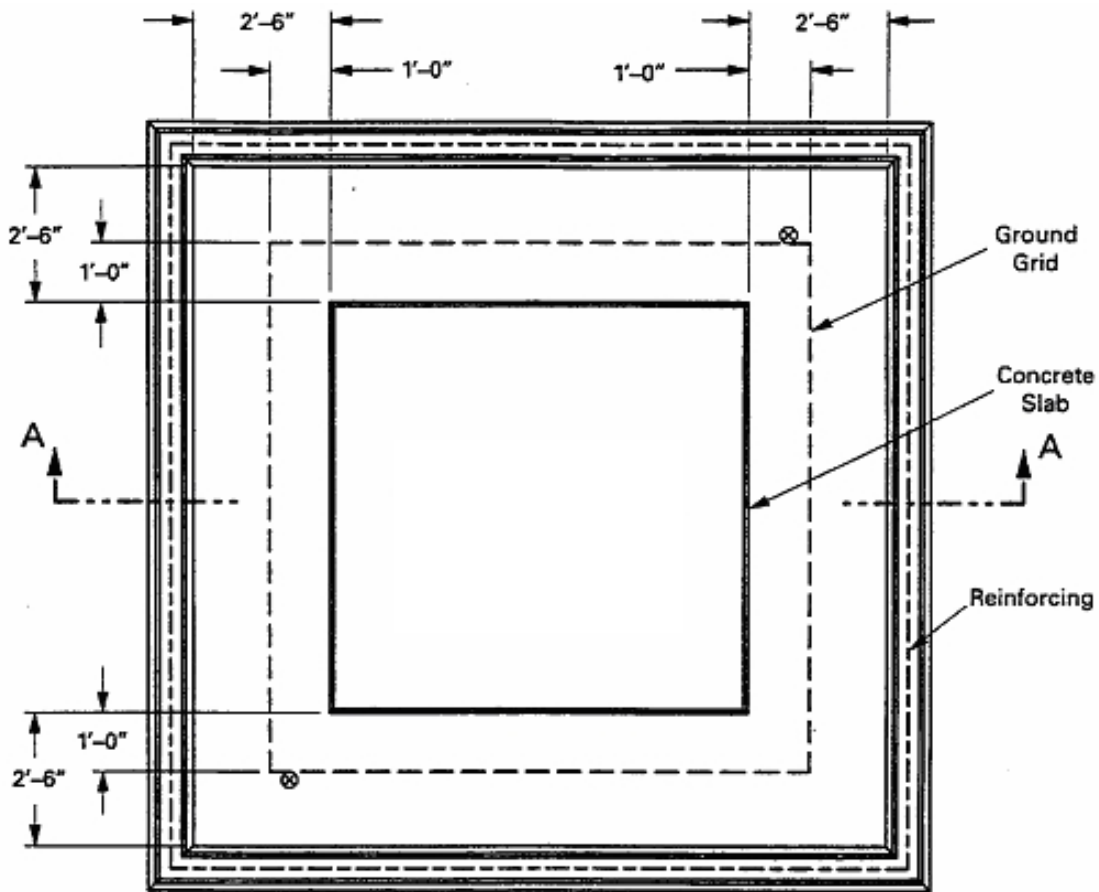
New Bedford, MA@1-617-965-0007 / 1-800-770-2666 or from

Vellano Bros. Lancaster NY 1-716-684-7222, several other locations in NY, MA, RI and NH, go to [www.vellano.com](http://www.vellano.com)

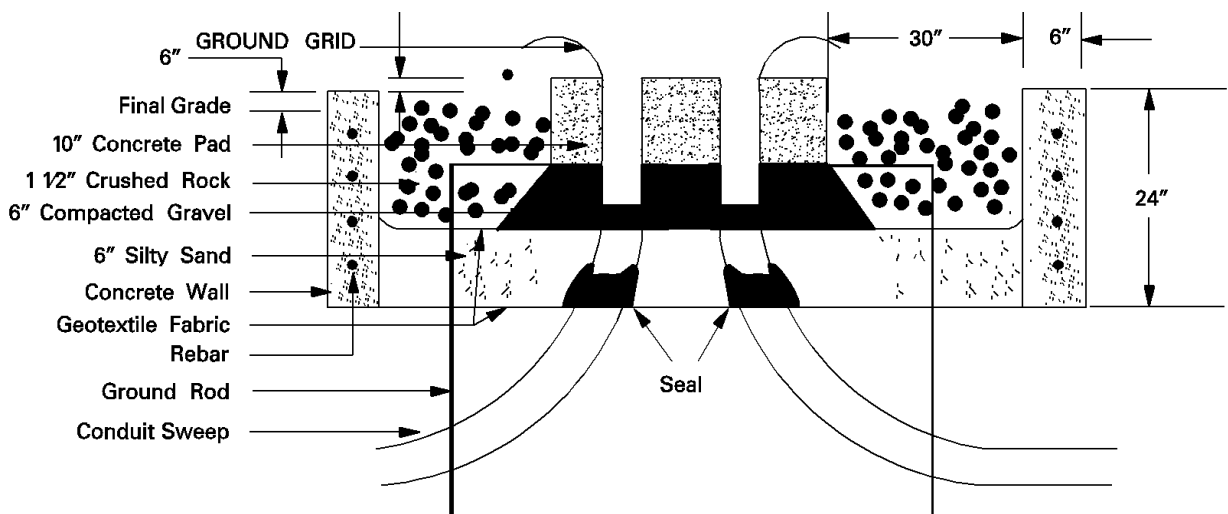
Synthetic Industries ST 160 available from Spartan Mills Inc's, Spartanburg, NC @ 1-803-576-2353

Carthage Mills FX-160HS / US Construction Fabrics LLC 90 Range Rd, Windham NH 03087  
1-603-898-0532

### Containment Area Plan View



### Typical Cross Section of Containment Pad A-A





## 17.0 Riser Pole

The *Company* shall designate all conduit riser pole locations. All primary risers installed, 8 feet above ground shall be galvanized steel, including 90 degree steel sweep flush mount to pole as shown in plan below, and bonding clamp with copper wire tap for grounding provided by *Customer*. The *Company* will install ground rod and complete bonding requirements. Per NESC all steel risers must be bonded 6" down from top of riser and the bond must be at least 8' high from finished grade. For Underground Primary Radial Service to Individual Customers, the *Customer* shall install the primary cable of sufficient length to reach the *Company's* termination bracket on pole. This measurement will be supplied by the *Company* at request of *Customer*. Once this measurement has been done, the *Customer* will install cable terminations and the *Company* will install cable on the riser pole and cover with U-Duct.

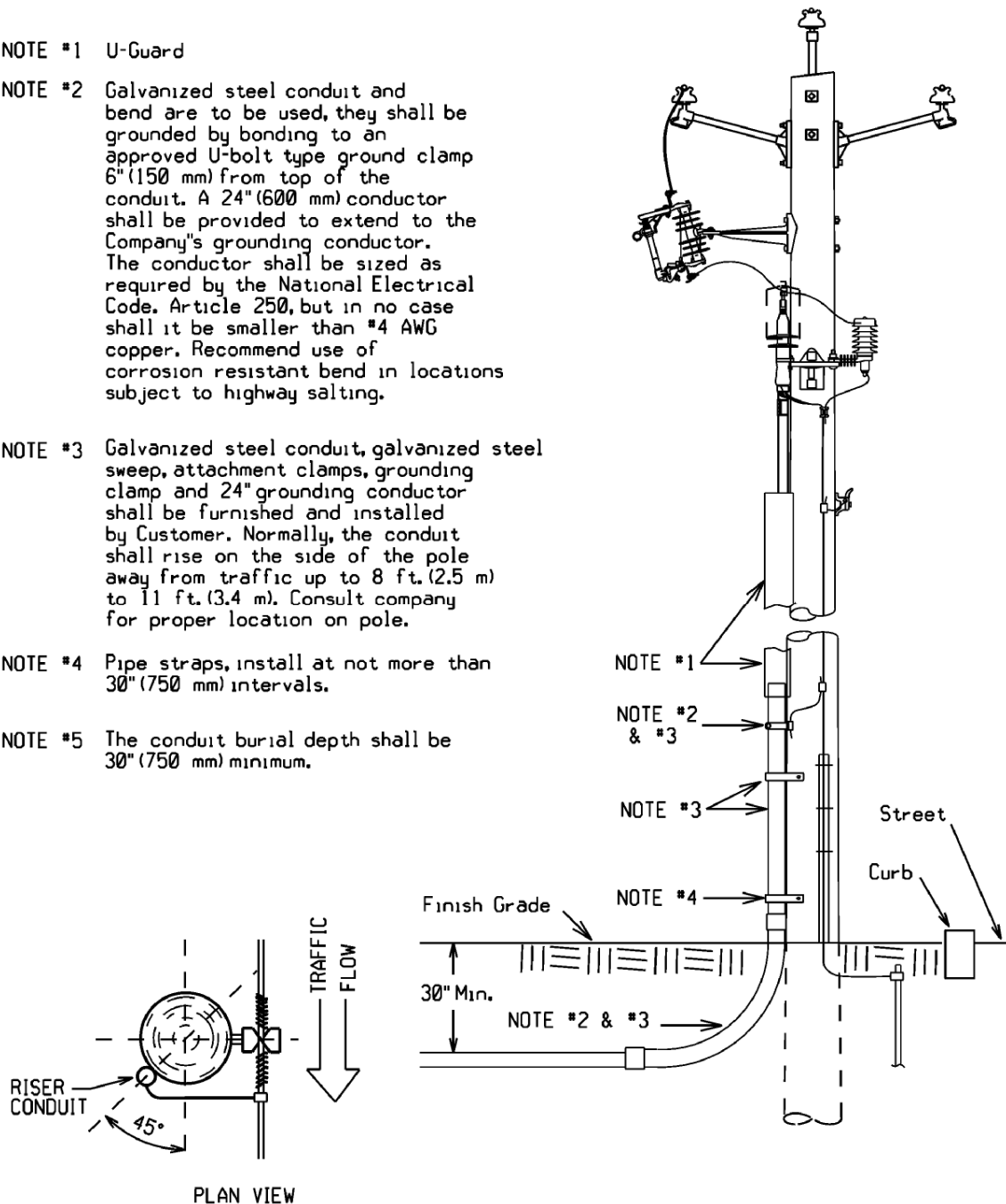
NOTE #1 U-Guard

NOTE #2 Galvanized steel conduit and bend are to be used, they shall be grounded by bonding to an approved U-bolt type ground clamp 6" (150 mm) from top of the conduit. A 24" (600 mm) conductor shall be provided to extend to the *Company's* grounding conductor. The conductor shall be sized as required by the National Electrical Code, Article 250, but in no case shall it be smaller than #4 AWG copper. Recommend use of corrosion resistant bend in locations subject to highway salting.

NOTE #3 Galvanized steel conduit, galvanized steel sweep, attachment clamps, grounding clamp and 24" grounding conductor shall be furnished and installed by *Customer*. Normally, the conduit shall rise on the side of the pole away from traffic up to 8 ft. (2.5 m) to 11 ft. (3.4 m). Consult *company* for proper location on pole.

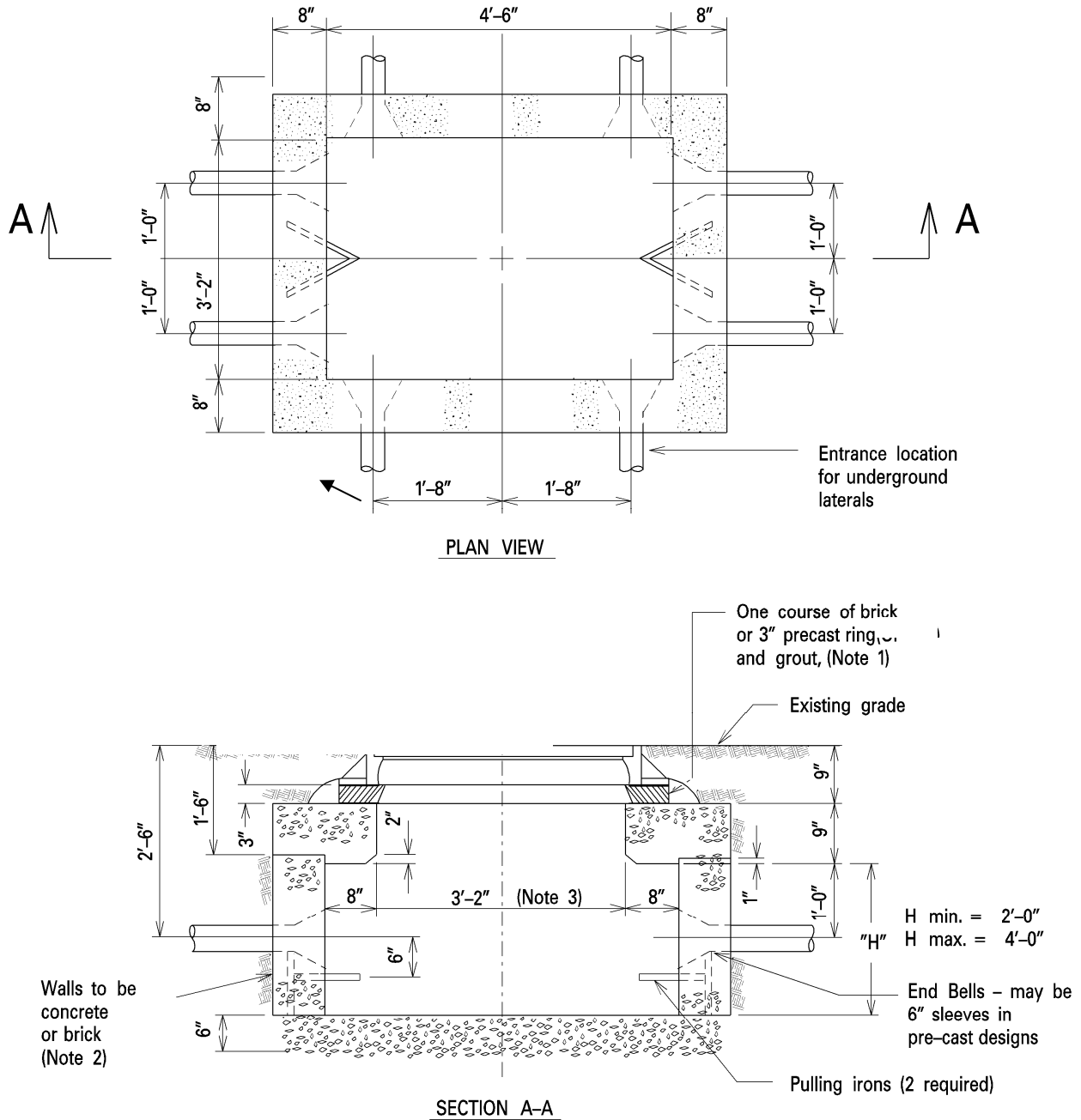
NOTE #4 Pipe straps, install at not more than 30" (750 mm) intervals.

NOTE #5 The conduit burial depth shall be 30" (750 mm) minimum.



## 18.0 Heavy Duty Handhole

This primary conduit handhole may be specified in the design for installation in roadways or sidewalks areas where duct length requires extra pulling locations. Heavy duty handholes are supplied and installed by the *Customer*, per *Company* specifications.

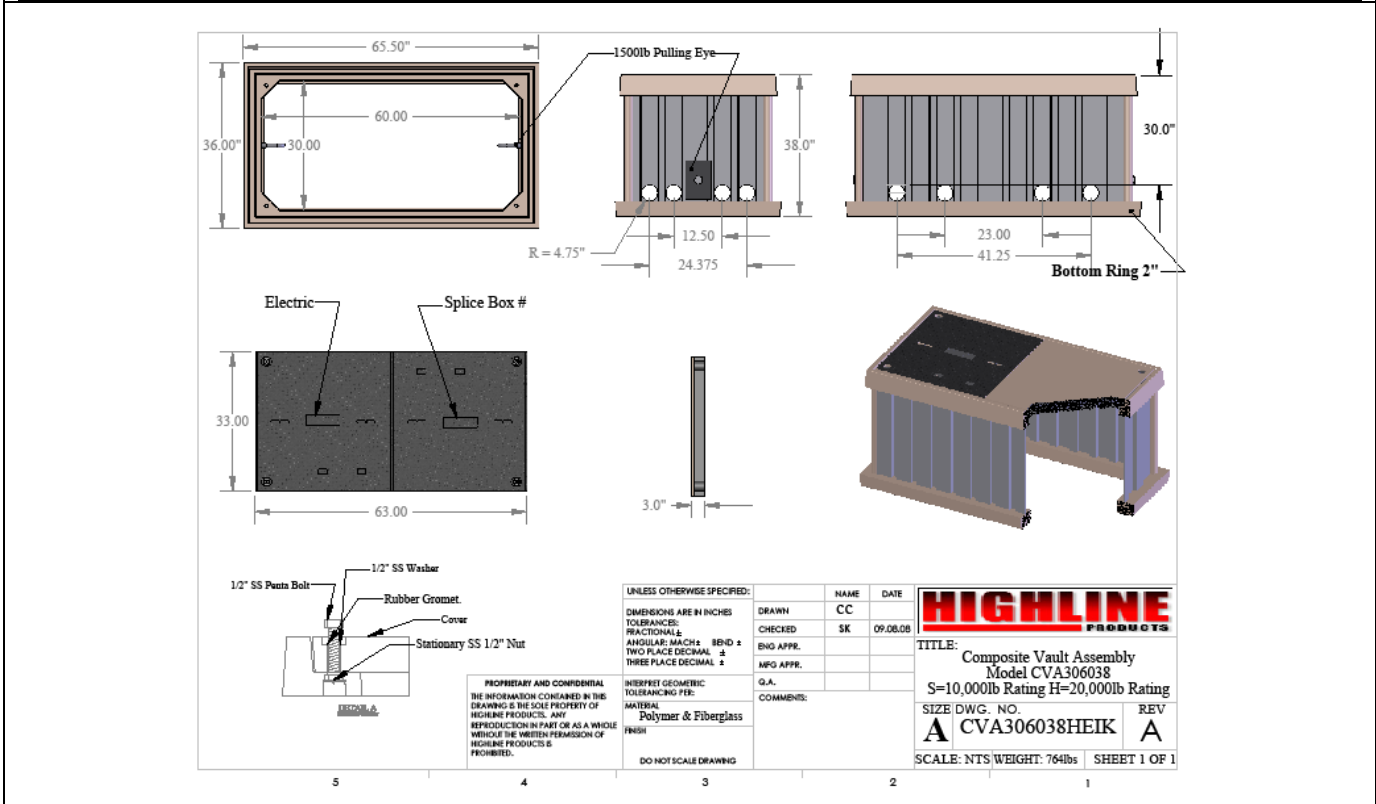
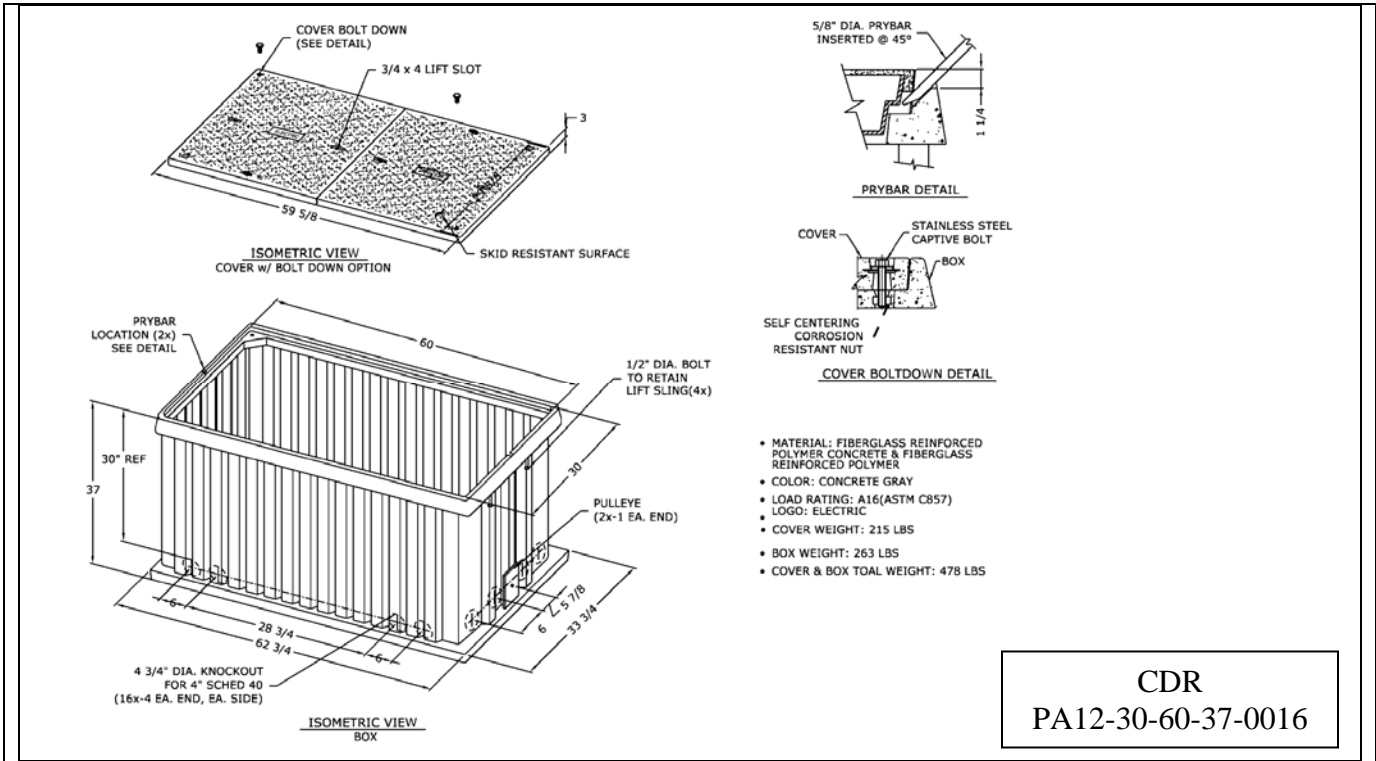


**Notes:**

1. Chimney height is kept to a minimum to facilitate placing completed splices in handhole from above grade.
2. Concrete minimum strength - See pages 49 thru 53.
3. Roof opening 3' 2" inches x 3' 2".
4. Handhole frame, ring and cover are typically provided by the customer.

### 19.0 Primary Cable Pull/Splice Box

This primary conduit Pull/Splice Box may be specified in the design for installation in sidewalks or grass plot areas where duct length or design requires extra pulling locations or splices. The splice box is H20 rated and shall be installed in locations not frequently traveled over by vehicles. Pull/splice boxes are supplied by the *Company* and installed by the *Customer*.



## 20.0 Trench Requirements

Final grades shall be established; the surface rough graded with in 6" from finished grade, roadway and property boundaries shall be staked or marked by the *Customer* before any trenching is started. Trench spoils shall be kept a distance of 2' minimum from excavated trench.

The *Customer* shall adhere to the construction plan and specifications specifying trench locations, trench depth and concrete encasement. Any deviation shall be subject to approval by the *Company*.

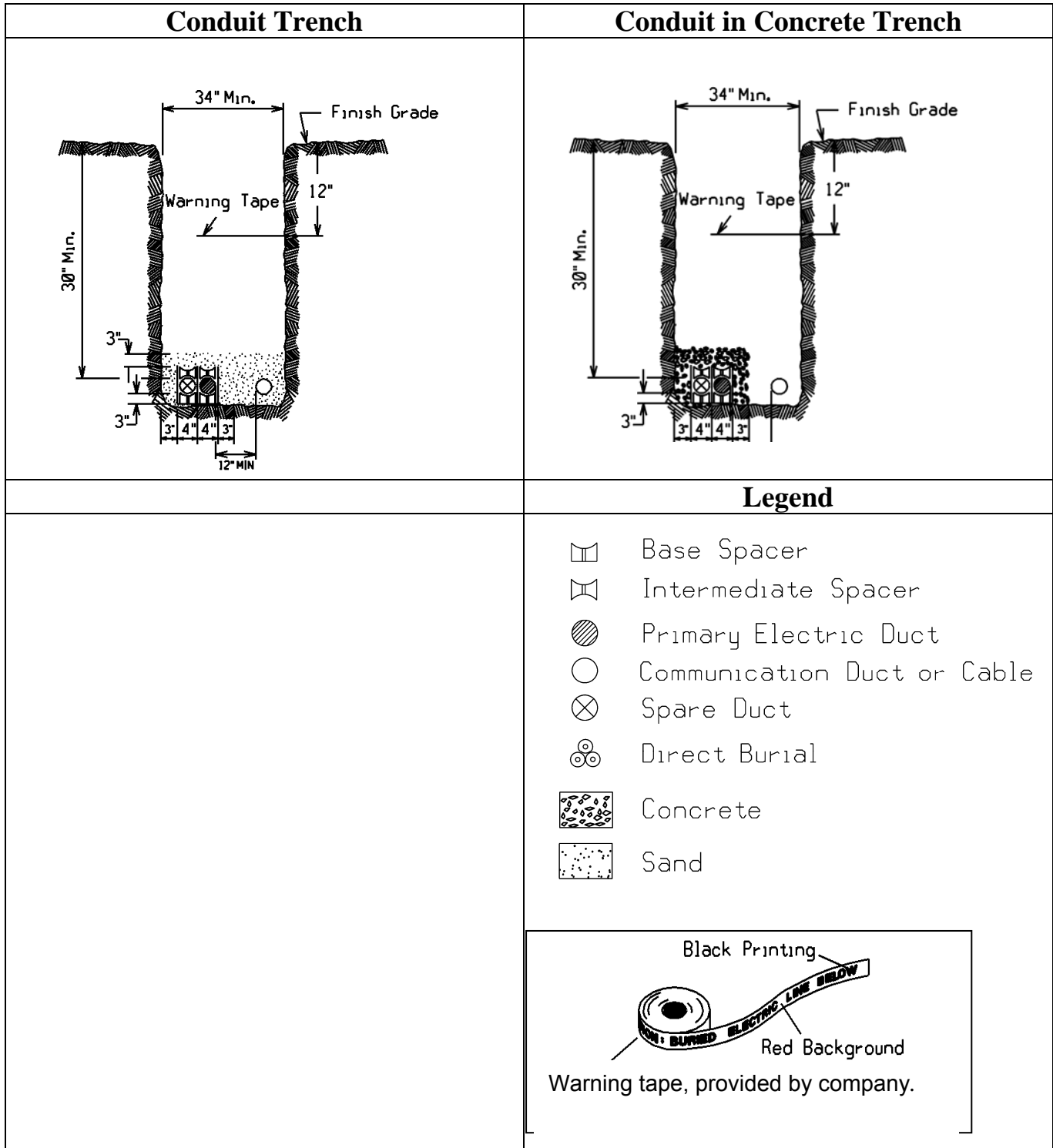
The *Company* shall be notified in advance of the backfilling of any electric facility (e.g. concrete, conduit, manholes, riser bends). The *Company* reserves the right to require re-excavation of the conduits and foundations if the *Customer* fails to have inspection done or backfills before inspection.

**Trenches shall not be backfilled until concrete has set (for at least two hours) and until after approval by authorized *Company* personnel. Note: if trench is subjected to traffic then the trench shall set for at least twelve hours.** All backfill shall be sand or gravel containing stones less than 1" in any dimension. Backfilling shall not take place over any open-ended (unplugged) conduits. *Company* approved red "Warning" tape shall be installed directly above the *Company's* cable eight to twelve inches below finished grade. Laying the warning tape directly on the cable, concrete or conduit is not acceptable. Certain installations in the public way may require flowable fill instead in place of normal backfill.

### 20.1 Trench Depth New Hampshire Concrete Encased Conduit (When Required)

Burial depths for electrical conduit shall be maintained not less than 30" from the top of the concrete encasement to grade during all phases of construction. The trench bottom shall be solid, undisturbed earth. Earth that shows signs of peat, cinders, rubble, or any conditions not suitable for a stable foundation shall be reported to the *Company* for additional recommendations. Small pockets of unsuitable soil shall be replaced with compacted gravel (max. 2" stone) and at riser pole end concrete encasement just before riser sweep.

Figure 20.0-1 Typical Trenches



## 21.0 Conduit Requirements

The *Customer* shall be responsible for all trenching, excavating, backfilling, and installation of the main primary duct system. Exceptions to this shall be in areas where there is an existing manhole and duct system and the limits of trenching by the *Customer* shall be determined by the *Company*. The *Customer* is also responsible to supply and install any necessary manholes, primary cable pull/splice boxes, heavy duty handholes, frames, and covers used in the main primary distribution system, as specified by the *Company*. Concrete encasement shall be provided and installed by the *Customer* as specified by the *Company*.

The *Customer* shall ascertain the requirements of the specific municipality in which the development is located. For example, some municipalities may require that the *Customer* employ a licensed electrician to direct the installation of all conduit intended for electric facilities.

Temporary mechanical protection over buried conduit and encasements is recommended to prevent crushing or damage during construction. This is the *Customer's* responsibility.

All road crossings shall, when practical, be perpendicular to the sidelines of the road.

The minimum size conduit shall be 4" schedule 60 DB. All sweeps at foundations and risers shall have a minimum radius of thirty-six inches (36"). The riser sweep shall be galvanized steel. The padmount transformer sweeps shall be galvanized rigid steel or Scheduled 40 PVC, with the transformer sweeps rising typically 1" above the concrete pad. The *Customer* shall install bell ends on the conduits. The *Customer* shall install conduit plugs in all unused conduits and pulling tape. At the riser pole, the galvanized rigid steel sweeps and the PVC/steel adaptors shall not be concrete encased. The *Customer* shall be responsible to install rigid galvanized steel straight conduit flush up the pole as shown on page 24, including conduit ground straps, up the riser pole (unless directed otherwise by the *Company*). The *Company* will specify on which quarter of the pole the riser shall be installed, usually away from oncoming traffic.

Except as noted on construction prints, curves and bends in conduit shall be gradual, and the radius of curvature shall not be less than forty feet. All curves shall be formed with 5-degree couplings. The minimum length between single, 5-degree couplings is 42". Heat bending is not allowed.

Conduit grade shall be such as to cause all ducts to drain toward one or both equipment foundations or pullboxes. Minimum pitch shall be three inches (3") per one hundred feet (100').

The *Customer* shall insure that clearances are met and maintained, and that they are inspected by the *Company*. Unless local jurisdictions require greater clearances, the minimum clearances shall be as follows:

**Communication Systems** – *Company* conduit shall not be directly above or below communication conduit, except when crossing below communication conduit at approximately right angles. *Company* conduit and communication conduit shall be separated by a minimum of 3" of concrete encasement.

**Water, Gas, Sewer** – *Company* conduit shall not be directly above or below these utilities, except when crossing above these utilities at approximately right angles. Where the paths of these utilities cross under *Company* conduits at approximately right angles, the minimum separation is 12". A minimum separation of 24" shall be maintained between parallel placement of any of these utilities and electrical conduit.

A 6-inch clearance shall be between conduit envelopes and major subsurface pipes (e.g. drainage pipes).

The *Customer* shall mandrel all primary conduits to insure their integrity **before** the *Company* shall attempt to pull any primary cable. The *Customer* shall furnish and install an approved synthetic, 2,500 pound test tape in each primary conduit run including risers. Pulling tape installation and mandrilling the duct shall be witnessed by the *Company*.

***Company owned duct shall not share a concrete encasement with foreign utilities (e.g. do not place communication or private electrical duct in the same concrete encasement as Company duct).***

### **21.1 Pulling Tape**

All conduits shall have a pulling tape, also known as “Mule Tape”. This tape is to be to be rated for 2,500#. Manufacturers of this tape are listed on page 56.

### **21.2 Trench and Conduit System Inspection**

A designated *Company* inspector shall be responsible for the inspection of the trench and or conduit system being prepared and installed by the *Customer*, at various stages of installation. The *Customer* shall provide the *Company* inspector with a minimum of 24 to 72 hours notice. Required inspections are:

- 1) After conduit, ground system, reinforcing bars and forming are completed; but before concrete is poured.
- 2) After concrete is poured but before backfilling.
- 3) After backfilling.

The inspection shall not be limited to the above.

### **22.0 Primary Cable, Conduit System, and Electrical Equipment**

Refer to Section 7.0 for the division of ownership and responsibility for specific scenario of underground primary service. The *Company* will designate a switchgear or switching enclosure as a demarcation point between the *Company* owned underground electric infrastructure along the traveled way and private property where the *Customer* will own and maintain cable supplying a *Company* owned Pad Mount Transformer.

For Underground Primary Radial Service located on Private Property, the *Customer* will provide and maintain the entire primary electrical system. The *Company* will provide, install, and maintain the transformer and other miscellaneous primary electrical system components.

The designation and location of the riser pole(s) and pad mounted transformer shall be determined by the *Company*.

At those locations where manholes or above ground switchgear are required, additional specifications will be provided by the *Company*.

### **23.0 Secondary Cable and Conduit System**

Secondary cables shall be installed underground in customer/developer furnished, installed, owned and maintained conduit system or raceway. Conditions requiring more secondary cables than the *Company*'s transformer secondary terminals can accommodate may require the customer/developer to supply an intermediate splice box to make a transition from National Electrical Code required cable capabilities (required to match main switch), to actual load cable capabilities. Page 58 lists manufacturers of the splice box.

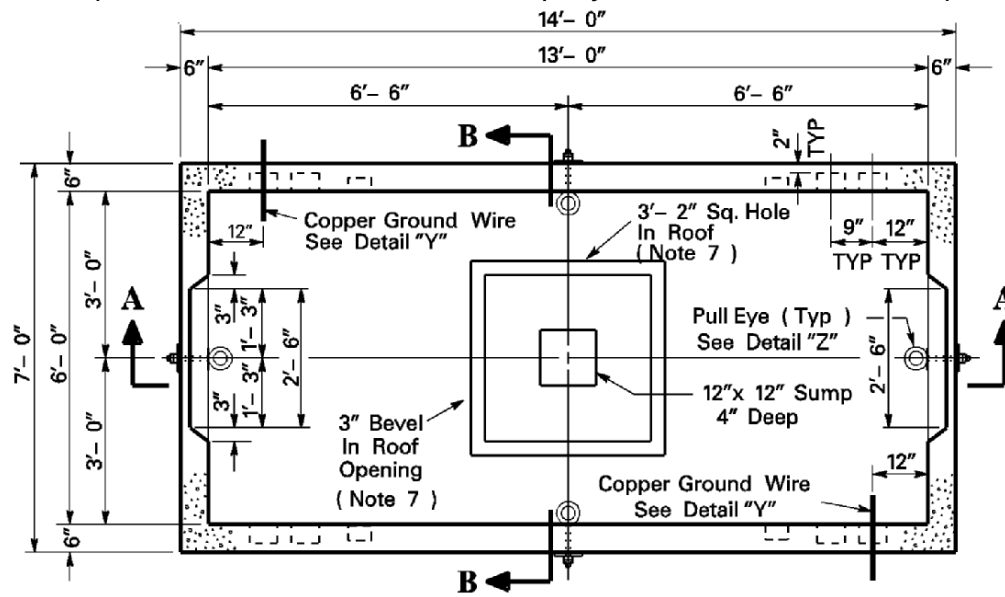


## 24.0 Metering

Refer to the *Company's* latest edition ESB No. 750 Specifications for Electrical Installations 2012 for the type of installation. Division of work and material will be performed with the approval and authorization of the *Company* Metering Services.

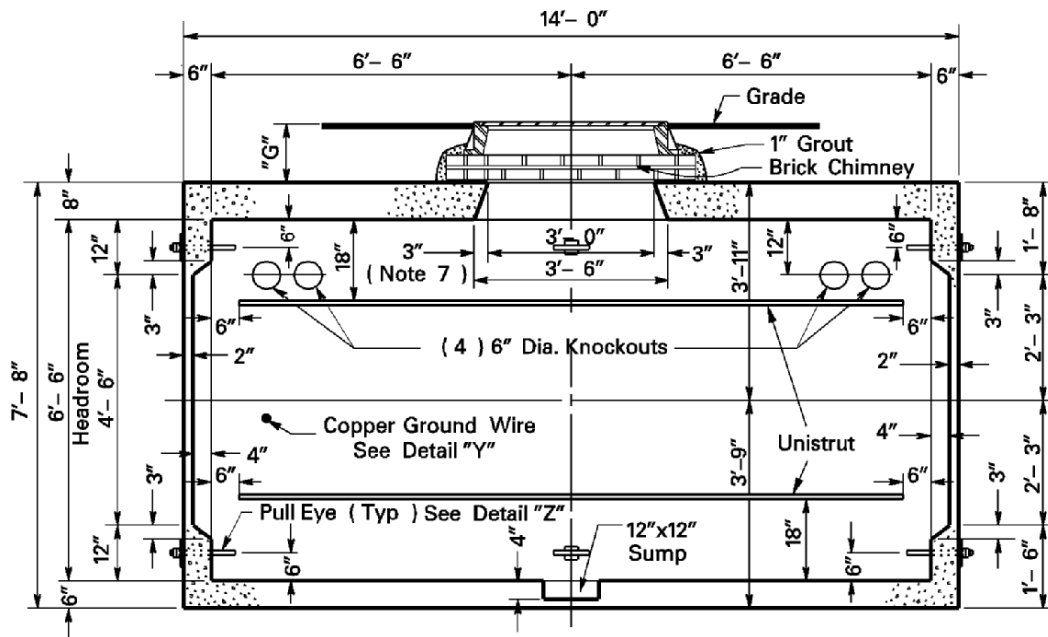
## 25.0 Manhole

Manhole installation may be required as part of the infrastructure to serve certain customers. The *Customer* shall provide and install the manhole to *Company* specification. On page 55 lists precast concrete providers. Please contact the *Company* if details are needed for specifications of manholes.



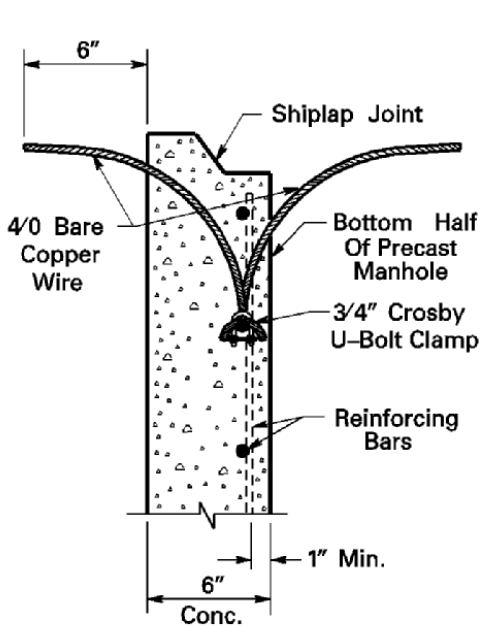
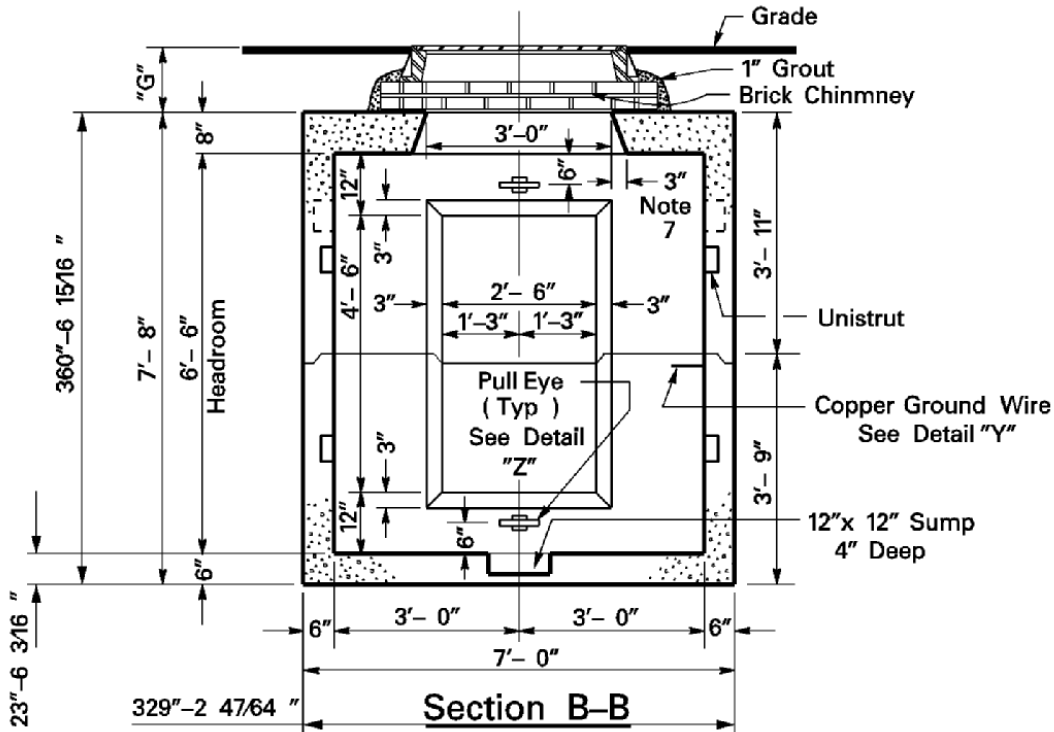
STD Item  
UM22

Plan

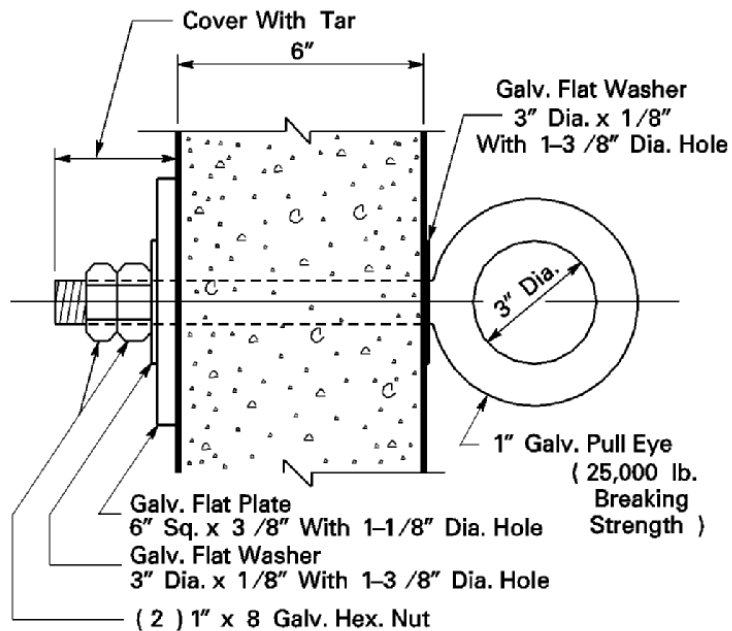


Section A-A





**Detail "Y"**  
2 Required



**Detail "Z"**  
4 Required

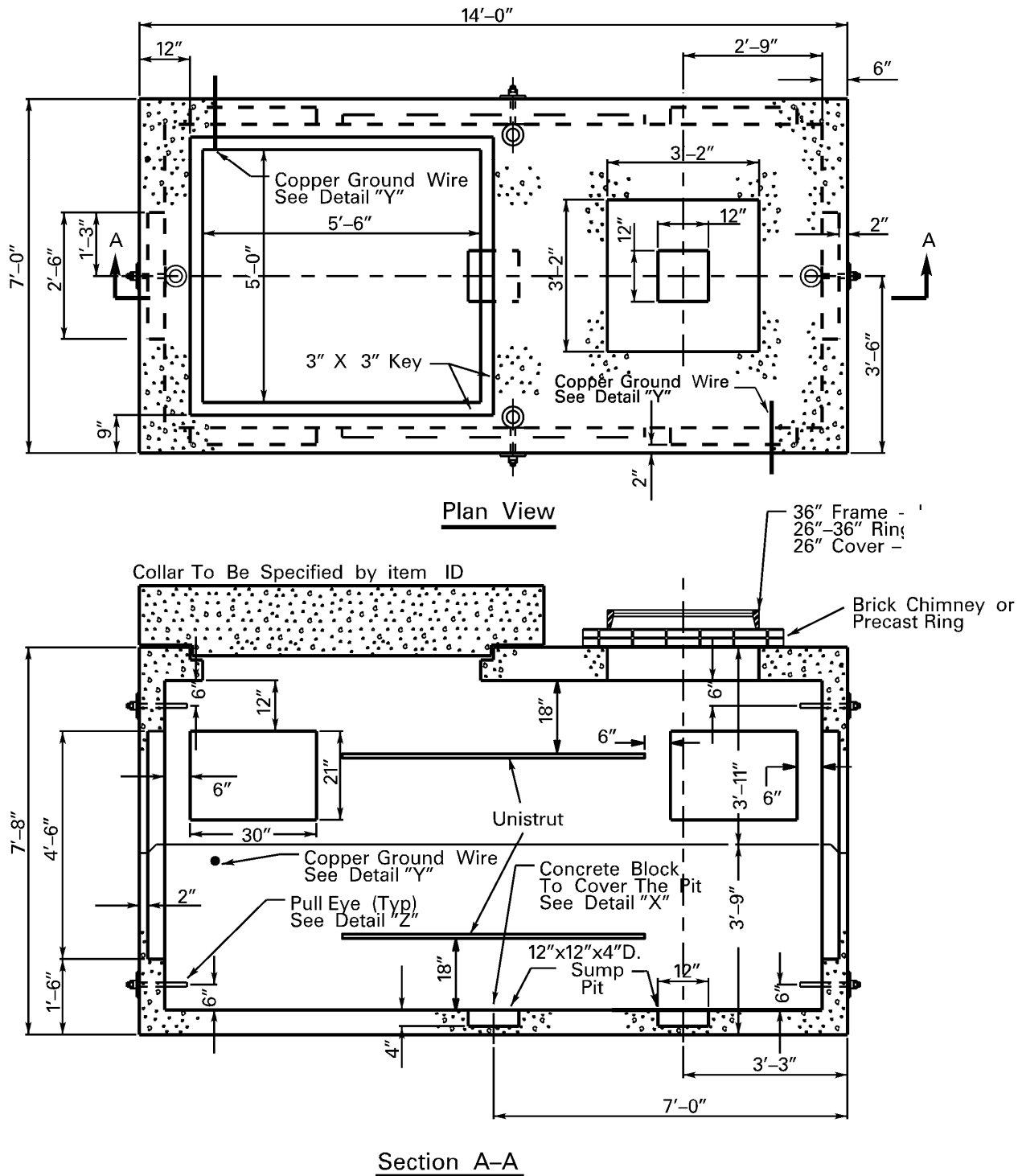
Note: Construction joint to be sealed with asphalt or equivalent.

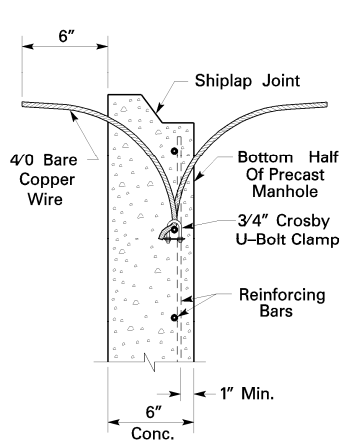
### 25.1 Manhole Frame Ring and Cover

The *Customer* shall be responsible for providing and installing the manhole frame ring and cover to finished grade. Approved frame, ring and covers are shown on page 57. Frame shall be installed on a chimney at least 6" in height minimum. The maximum allowable chimney shall be 36" from the top of the roof of the manhole to finished grade.

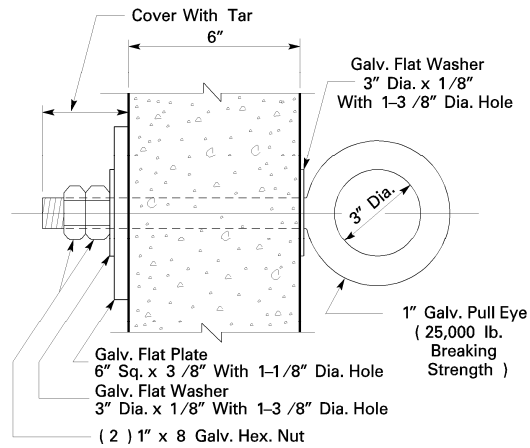
## 25.2 Switchgear Manhole

Switchgear installation may be required as part of the infrastructure to serve certain customers. The *Customer* shall provide and install the switchgear manhole to *Company* specification. On page 55 lists precast concrete providers. The *Company* shall identify which collar shall be used from the choices on pages 34 and 35.



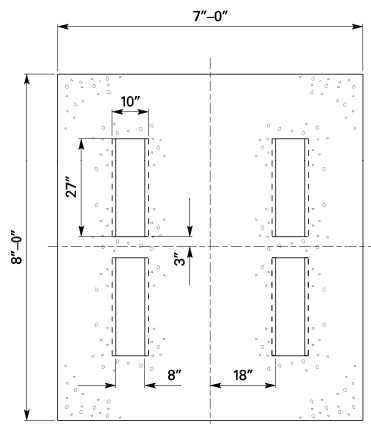


**Detail "Y1"**  
2 Required

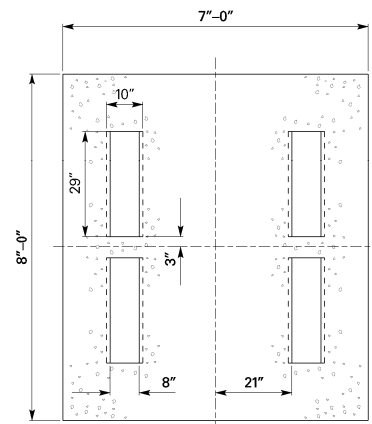


**Detail "Z"**  
8 Required

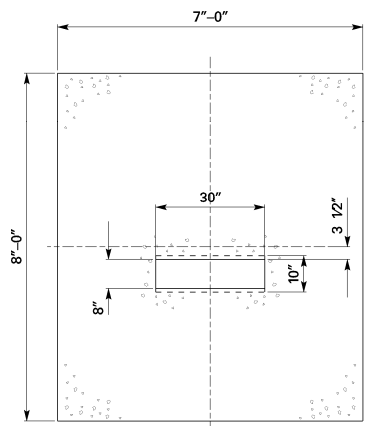
### Switchgear collars



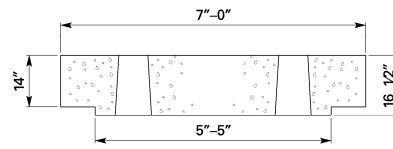
**Collar "A"**  
15kV S/G Collar



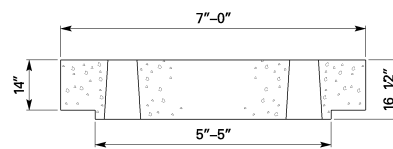
**Collar "B"**  
25/35kV S/G Collar



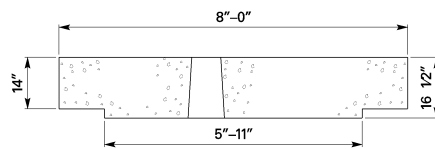
**Collar "C"**  
PWVE Cooper Recloser



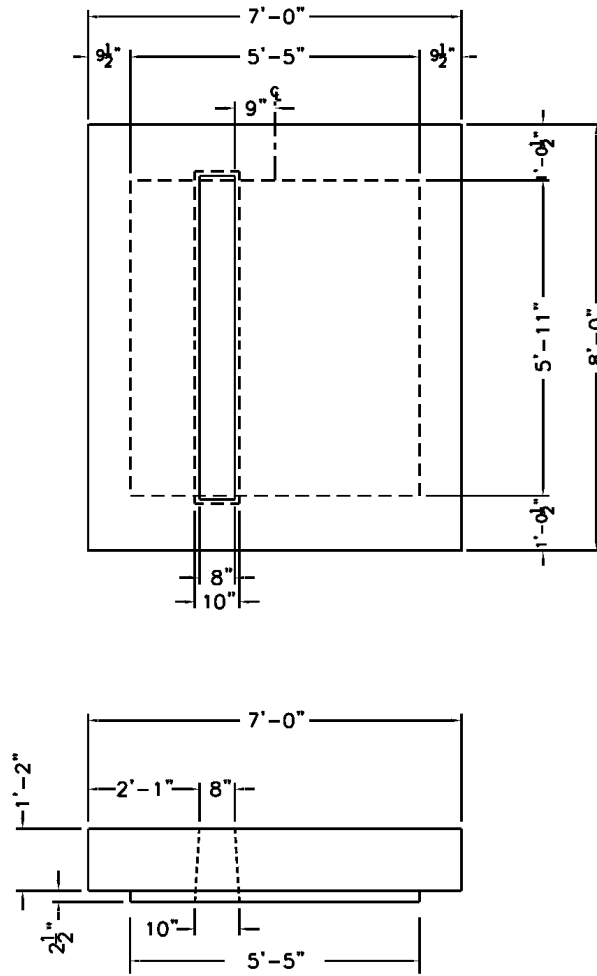
**Collar "A"**



**Collar "B"**



**Collar "C"**



Collar D

35kV Vista Gear 3 AND 4 WAY

### 25.3 Switchgear Manhole Ground Grid

The *Customer* shall install the ground grid for a switchgear manhole installation as shown in the picture.

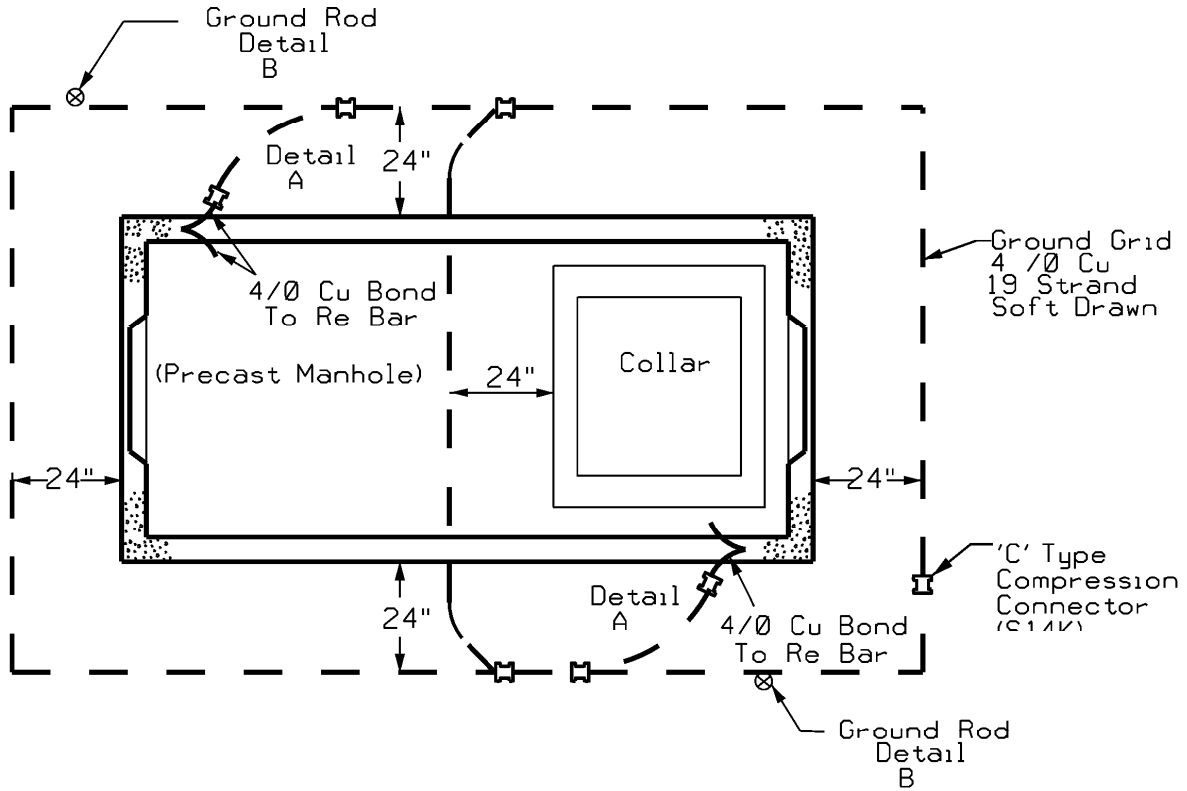
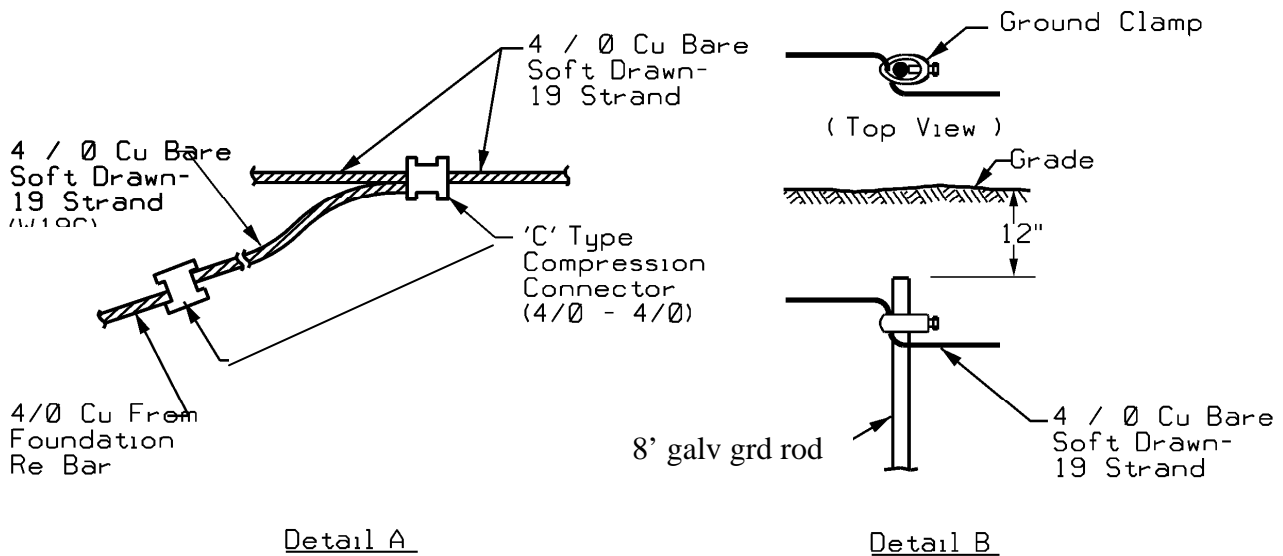
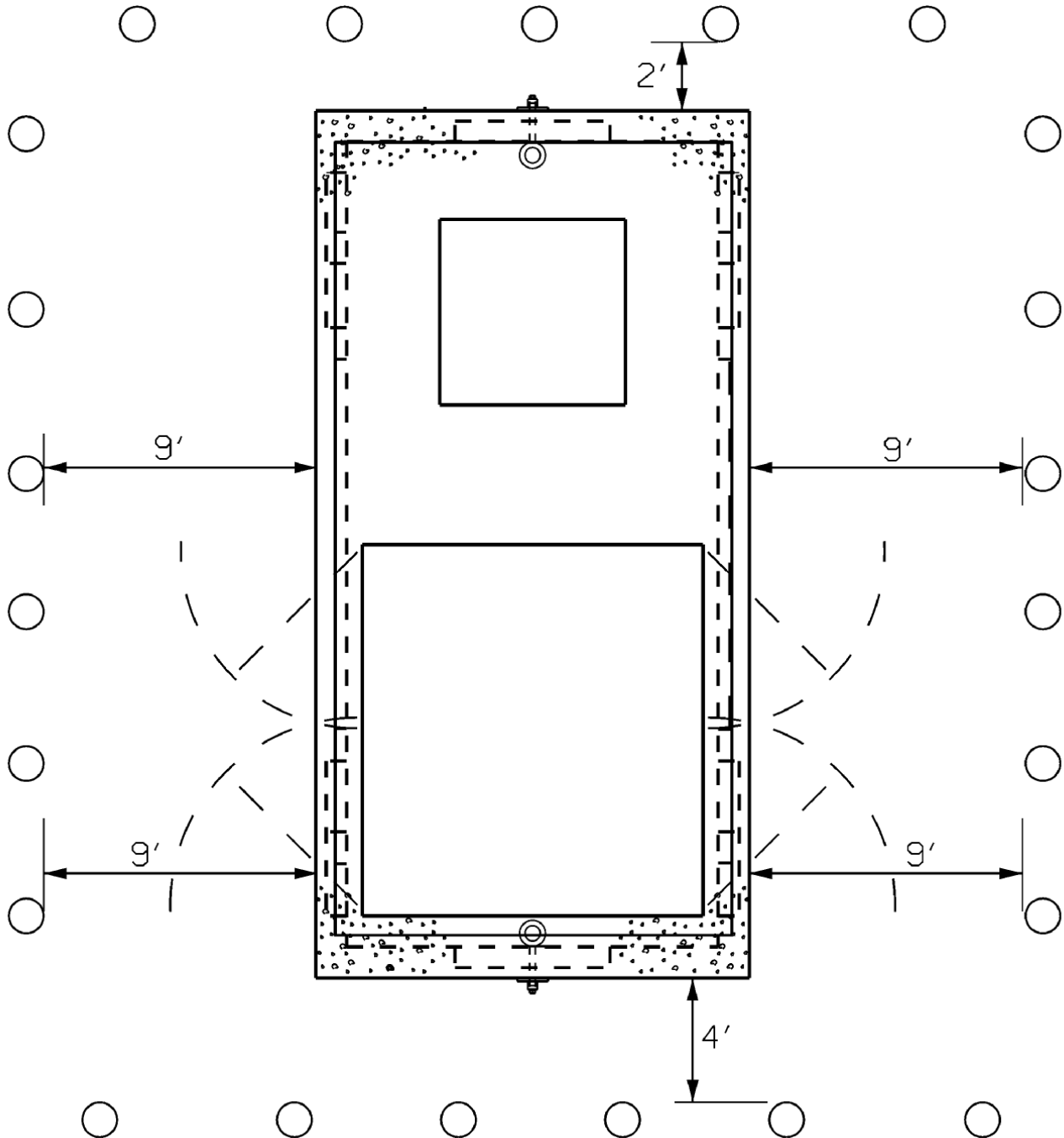


FIG. 1 - PLAN



### 25.4 Switchgear Manhole Bollard Layout

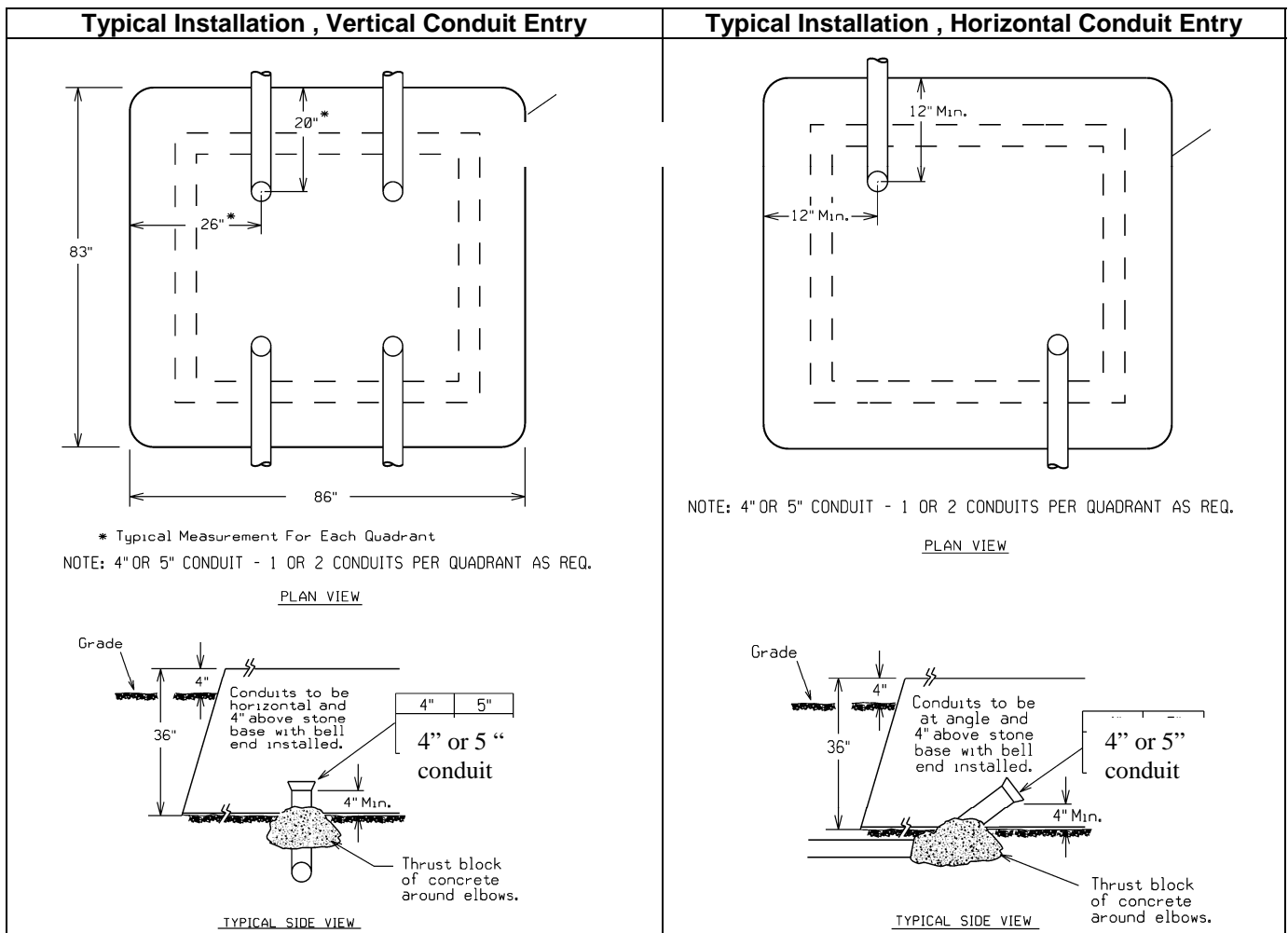
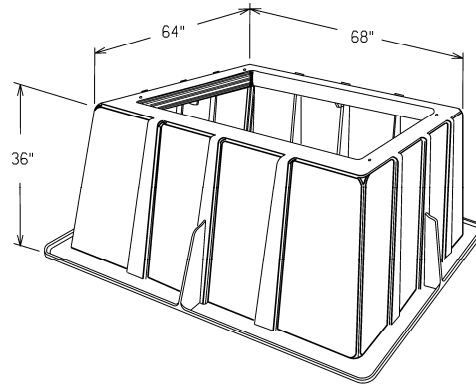
The drawing below depicts the locations for bollard installations around a switchgear manhole. Distribution Design/Planning and or company inspector shall designate the number and location of required bollards for each job. Refer to Transformer Mechanical Protection/Bollards on page 16 for more details on bollards.



## 26.0 Fiberglass Switchgear Base with Conduit Entry's

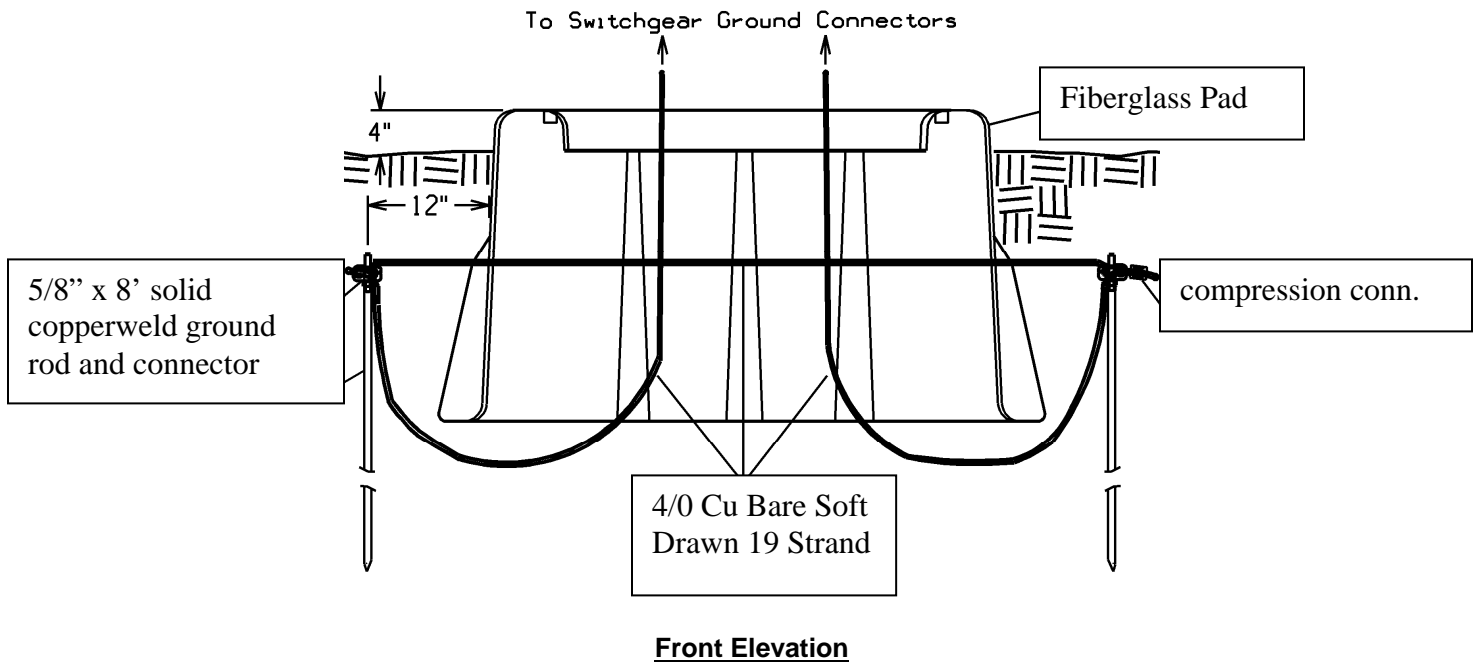
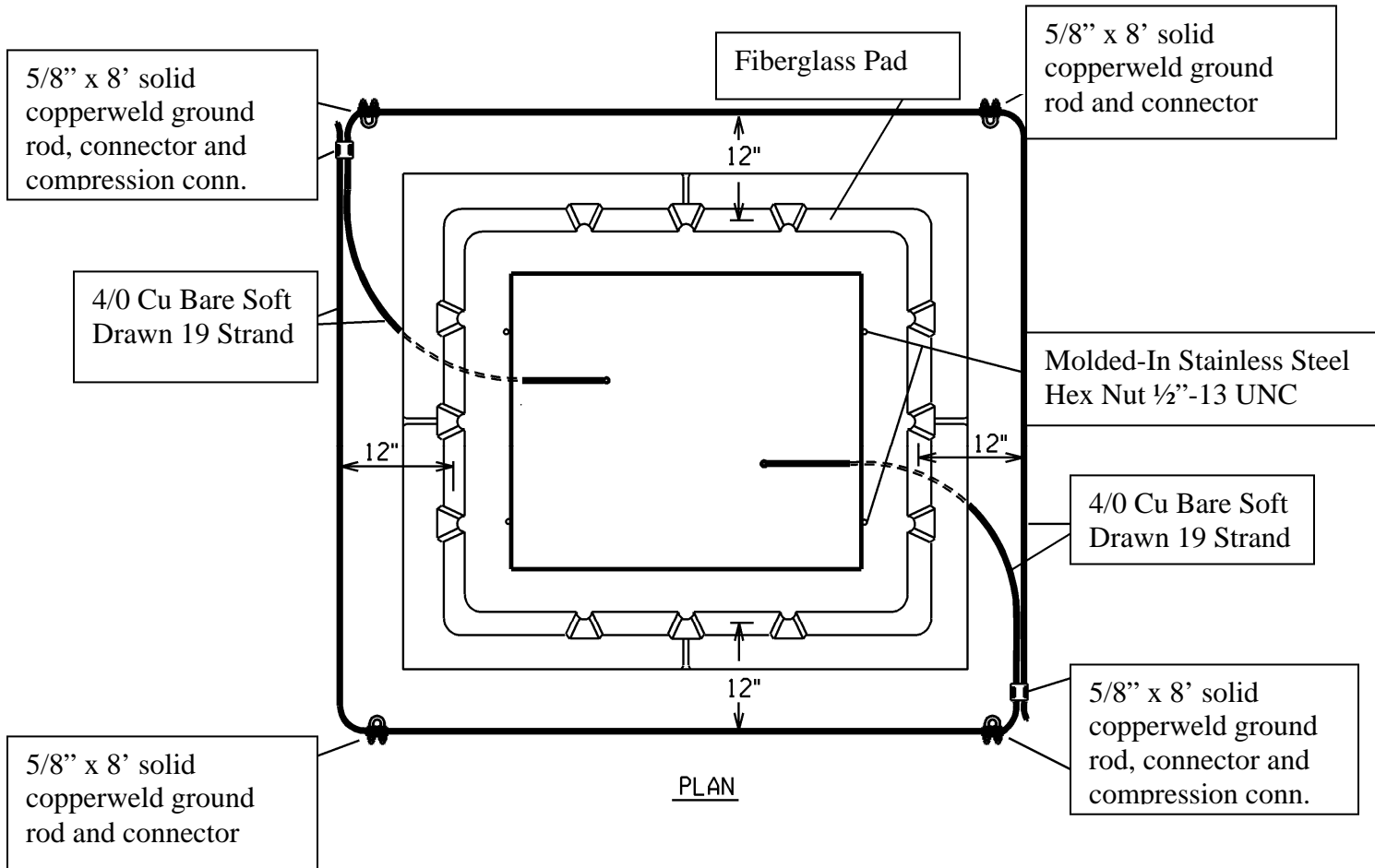
The fiberglass switchgear base can be used as an alternate to the switchgear manhole in locations where allowed by the *Company*. It is not recommended for installations where the primary coming into the base is 500MCM or larger.

**NOTE:** This base will only accommodate standard PMH-9, PMH 10, PMH 11 and PMH 12 switchgears.



### 26.1 FIBERGLASS SWITCHGEAR GROUND GRID

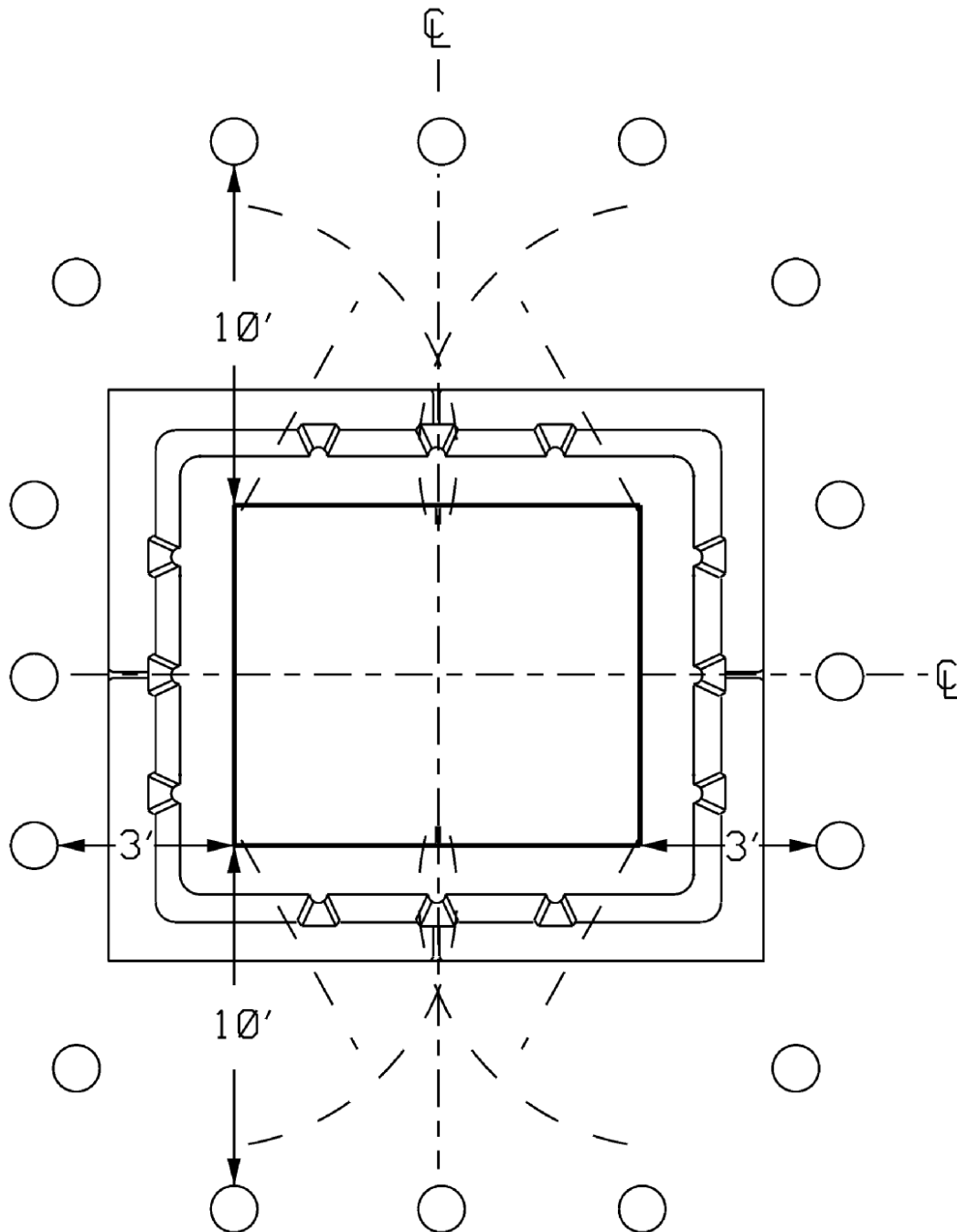
The *Customer* shall install the ground grid for a fiberglass switchgear installation as shown in the picture.



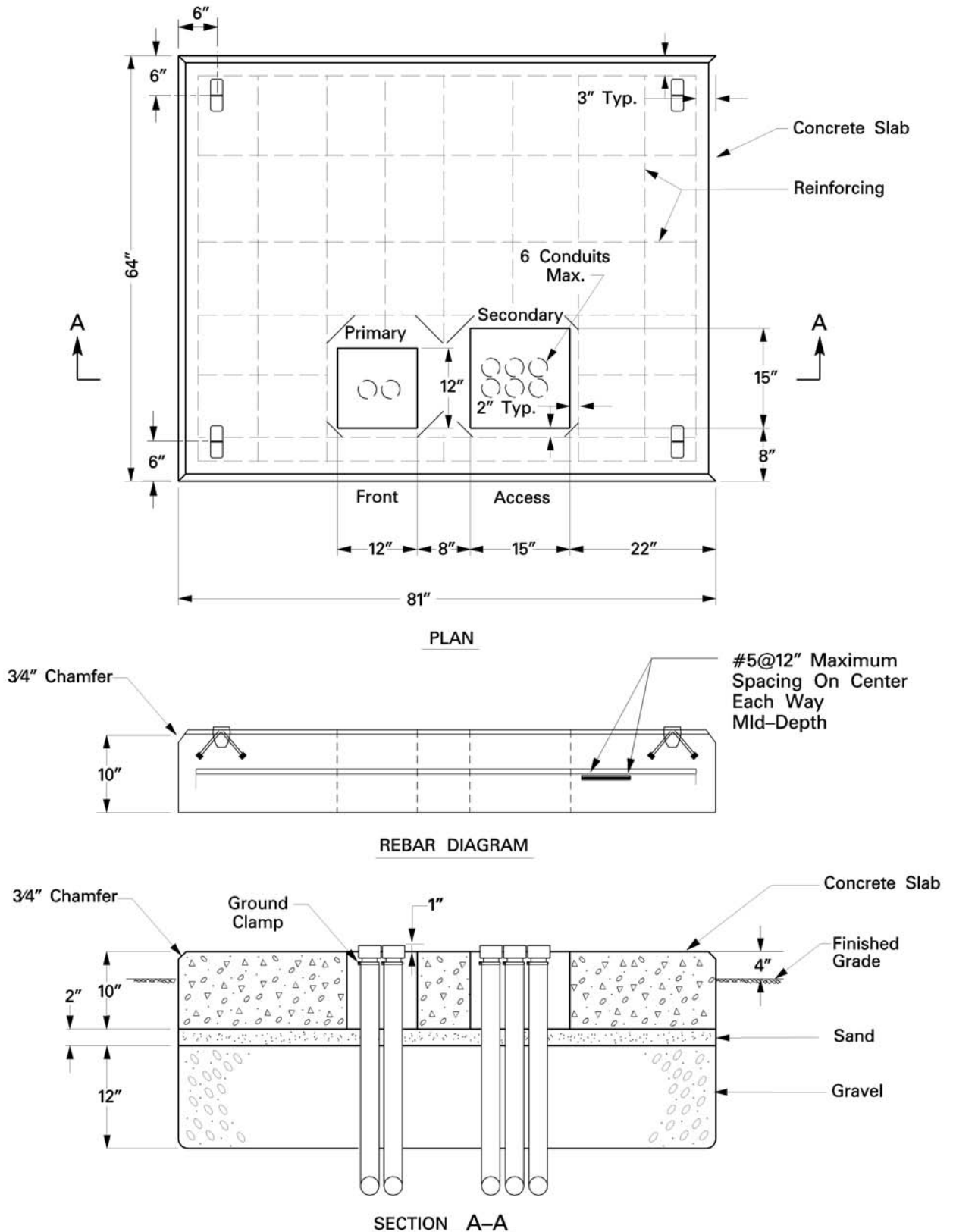


## 26.2 Switchgear Fiberglass Boxpad Bollard Layout

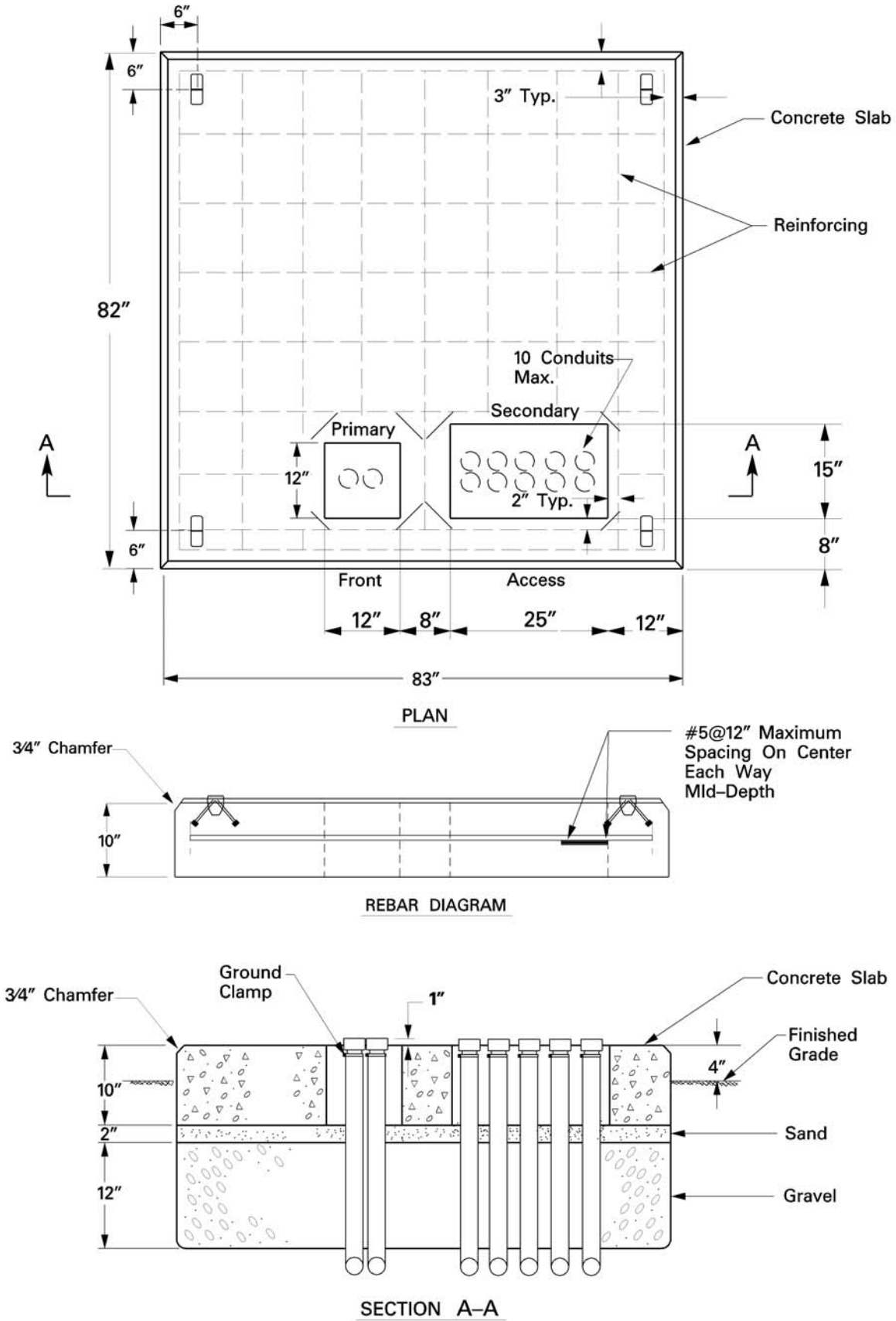
The drawing below depicts the locations for bollard installations around a switchgear fiberglass boxpad. Bold outline referenced on drawing is the exposed outside sides of the boxpad. Distribution Design/Planning and or company inspector shall designate the number and location of required bollards for each job. Refer to Transformer Mechanical Protection/Bollards on page 15 for more details on bollards. Bold outline referenced on drawing below is the exposed outside sides of the boxpad.



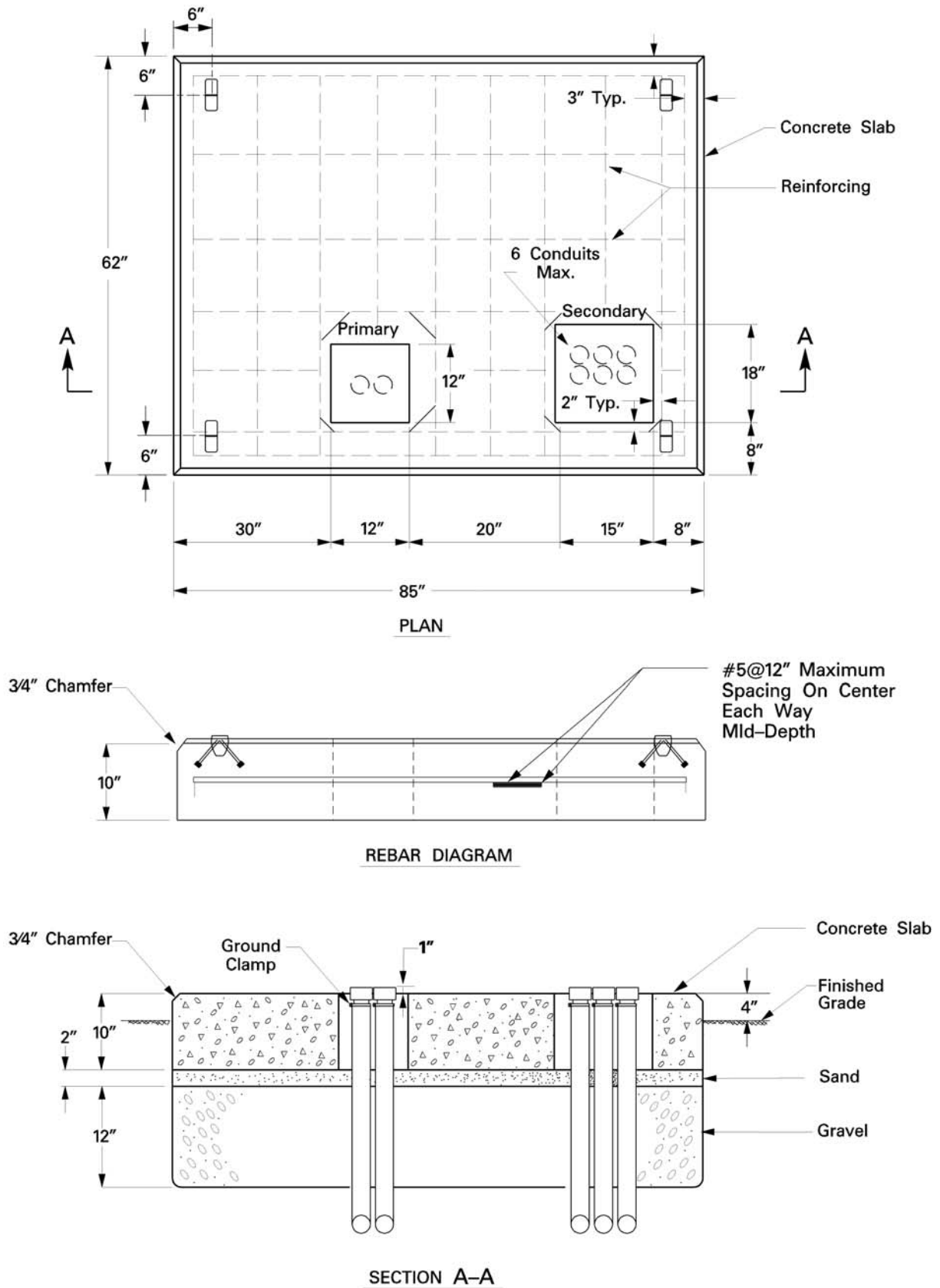
**Figure 27.0-1 15kV Transformer Pad 75-500kVA 44-113 (LU-MS2582)**



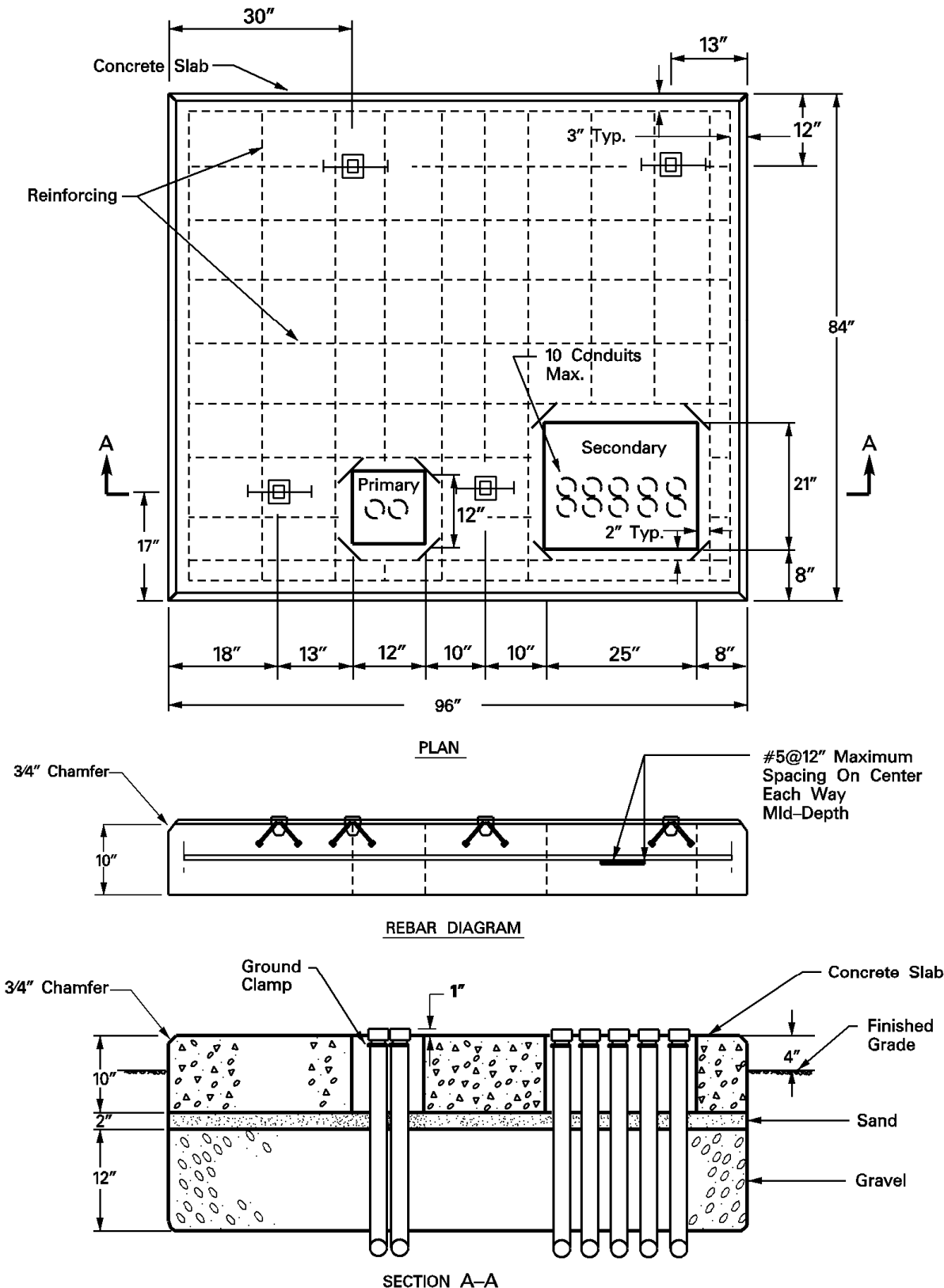
**Figure 27.0-2 15kV Transformer Pad 750-2500kVA 44-114 (LU-MS2583)**



**Figure 27.0-3 25-35kV Transformer Pad 75-300kVA 44-115**



**Figure 27.0-4 25-35kV Transformer Pad 500-2500kVA 44-116**





## 28.0 Sample Installations

PICTURE OF CONDUIT INSTALLATION BEFORE CONCRETE POUR



PICTURE OF BOLLARD INSTALLATION for PADMOUNT TRANSFORMER WITH OIL CONTAINMENT FOUNDATION

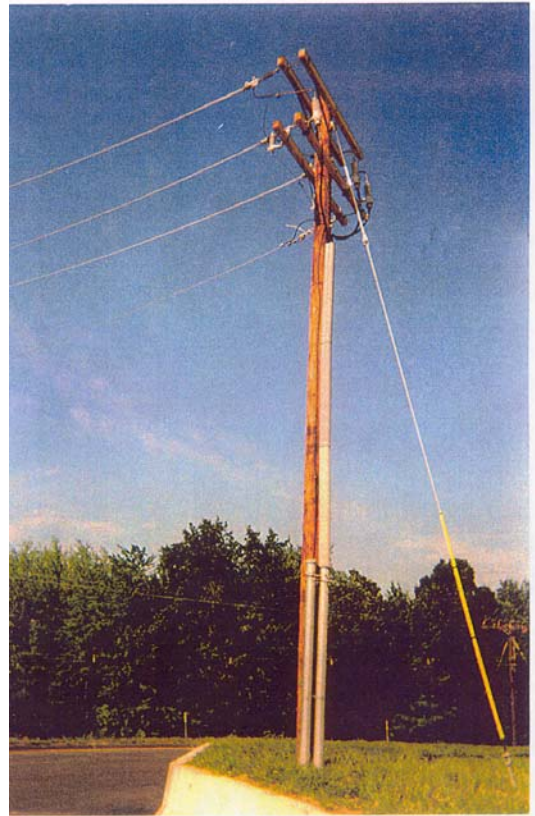


## PICTURES OF A RISER POLE INSTALLATION



### **Riser Pole Bonding**

Rigid Galvanized Steel. Bond higher than 8' and at least 6" from top.



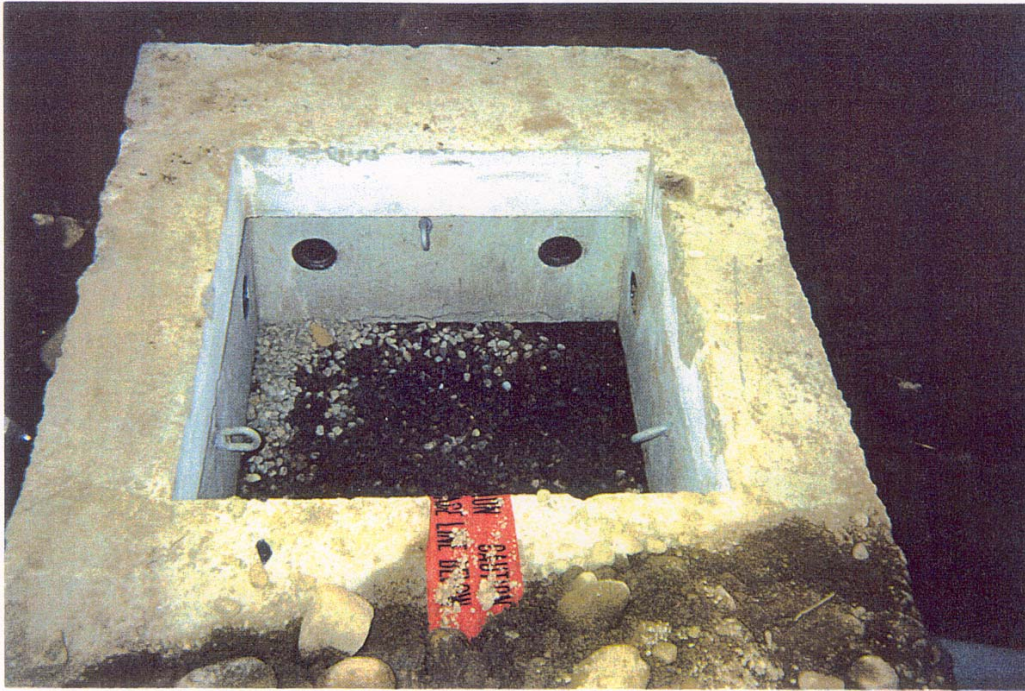
### **Completed Riser Pole**

The Company will specify on which quarter of the pole the riser shall be installed, away from traffic.



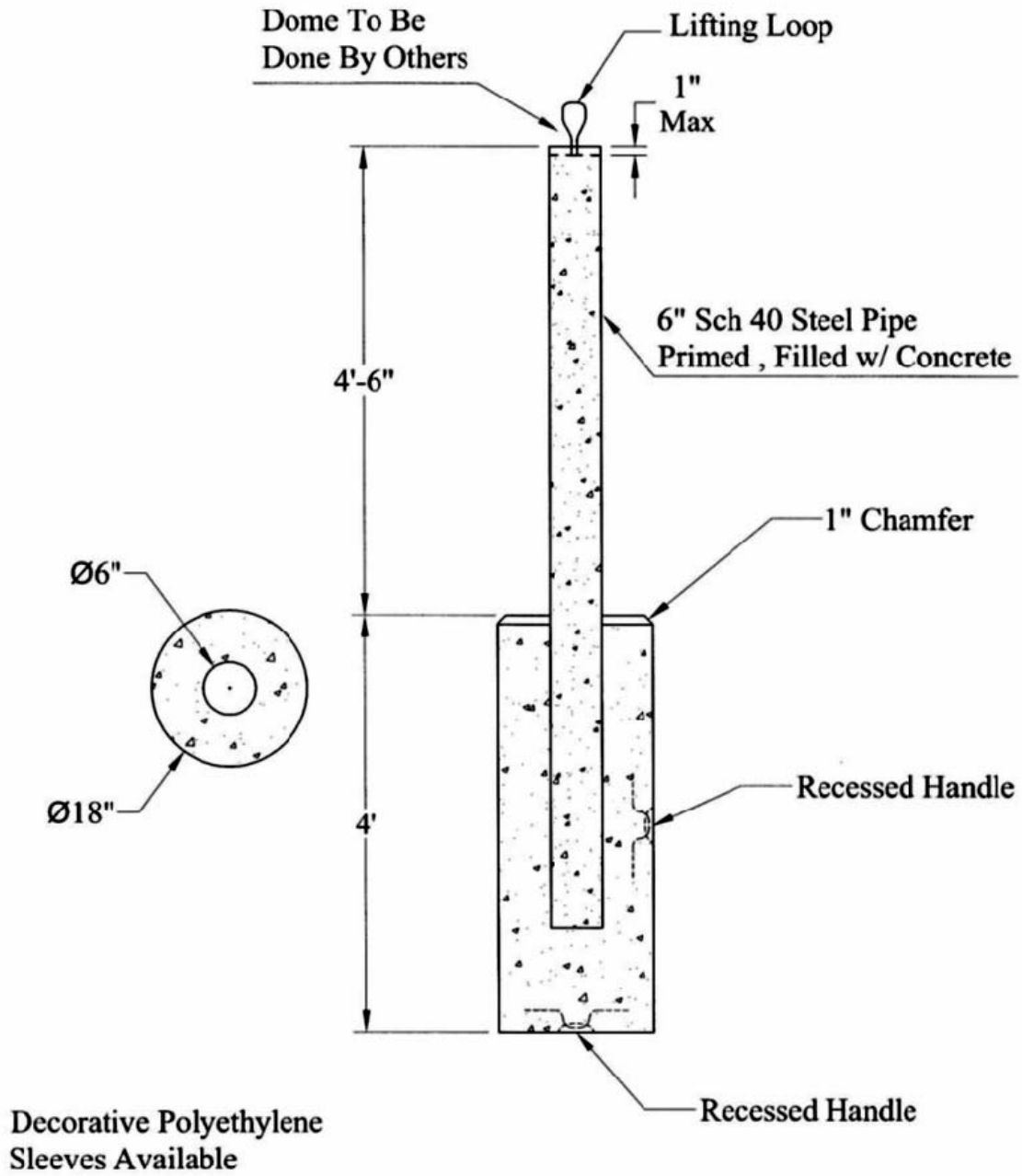


## HEAVY DUTY HANDHOLE INSTALLATION





## 29.0 Bollard Detail



### 30.0 Concrete Specifications

**30.01 SCOPE** - For general use of reinforced and plain concrete when job specifications are not being issued. Not for use when placing concrete underwater (Tremie concrete).

**30.02 MATERIALS** - Cement shall be a standard brand of Portland Cement Type II conforming to ASTM C150. If concrete is to be in contact with sea water or soils other than clean gravel, or if job conditions require earlier strength development than Type II provides, notify Civil Engineering for use of a higher strength or high-early strength concrete.

Sand shall be sharp and clean and shall conform to ASTM C33, latest revision.

Coarse aggregate shall be of gravel, crushed gravel or crushed stone and conform to ASTM C33, latest revision.

Water shall be from a potable water supply or tested and approved by Civil Engineering, assuring it is clean and free from injurious amounts of oil, acids, alkali, organic materials, or other harmful substances.

**30.03 READY-MIX CONCRETE** - Ready-mix concrete shall be proportioned at the plant. Mixing and delivery shall be in accordance with ASTM C94, latest revision. Mixes shall conform to Table 1 for minimum 28 day strength, nominal maximum size aggregate, and slump.

An air-entraining agent shall be added to concrete mixes in which the surface will be exposed to the elements. No other admixtures shall be used without approval of Civil Engineering. Air-entrainment content shall be as follows:

Mix M2 and M3:	7.0% plus or minus 2.0%	Mix M5:	4.5% plus or minus 1.5%
Mix M4:	5.0% plus or minus 1.5%	Mix M6 and M7:	6.0% plus or minus 1.0%

The Purchaser reserves the right to make tests at any time on materials used and concrete furnished by the ready-mix concrete supplier. The batch plant, equipment, and operating procedures are subject to inspection and approval by Civil Engineering or their qualified representative.

**TABLE I - CONCRETE MIXES**

Mix Number	Strength Minimum 28 Day Lbs/Square Inch	Aggregate Maximum Size Nominal	Slump Not More Than	Typical Uses
M1	2,000	1-1/2"	2"	Bedrock and Floor Fill
M2	2,000	1/2"	2"	Duct Lines - Tier Method
M3	2,000	1/2"	6"	Duct Lines - Unit Method
M4	3,000	1-1/2"	2"	Footings, Slabs on Ground, Foundation Walls, and Pile Caps
M5	3,000	1"	2"	Floor and Roof Slabs on Forms
M6	4,000	1"	2"	Hi-Strength Slabs and Walls
M7	5,000	1"	2"	Hi-Strength Slabs and Walls

**NOTE:** If a greater slump is required, contact Civil Engineering for an additive to meet the specific job requirements.

Ready-mix concrete shall be ordered in accordance with this Specification with a copy of same supplied to the ready-mix concrete manufacturer. The cubic yards, delivery point, time schedule, and applicable mix number for the particular application shall be specified on the order.

Delivery of a concrete batch in excess of the rated mixer drum capacity is cause for rejection. The latest drum inspection certificate should be available for verification.

- 30.04 CONCRETE - DELIVERY AND MIXING** - In the event that delivery of concrete is called for when the air temperature is below 40° F the following shall apply:
- a. When the air temperature is between 30° F and 40° F, the concrete shall be delivered in excess of 55° F.
  - b. When the air temperature is between 0° F and 30° F the concrete shall be delivered at a temperature in excess of 60° F.

In hot weather concrete shall be delivered at a temperature which will not cause difficulty from loss of slump, flash set, or cold joints. Discharge of concrete at the job site shall be completed within one (1) hour of adding the mixing water.

- 30.05 CONCRETE - FORMS** - Formwork shall be designed and constructed in accordance with the American Concrete Institute's "Recommended Practice For Concrete Formwork", ACI 347, of latest date.

Forms shall be built substantially; true to form, lines, dimensions, and grades shown. They shall be braced and tied to maintain position and shape, without yielding to pressure of fluid concrete or other forces, including those produced by vibratory compaction.

Forms shall be constructed of 3/4" BB grade plywood supported with 2 x 4 studs on 16" centers. Forms shall not exceed a 10' pour height and form tie spacing shall not exceed 2'. Form ties and accessories, manufactured by Richmond Screw Anchor Company or equal, shall be used. Prefabricated forms are allowed after approval by Civil Engineering. The forms shall be vertical and symmetrical and in the largest sizes practicable. Sheets showing torn grain, worn edges, hole patches, or other defects, which impairs the texture of the concrete surface, shall not be used.

Forms shall be treated with approved form oil, before erection or reinforcing steel placement, to prevent adhesion of the concrete.

Forms shall be mortar-tight. For surfaces which will be exposed, the form faces shall be smooth and mortar-tight.

Forms shall be removed carefully to avoid damage to the concrete surfaces. The removal time is governed by the concrete's condition, curing temperature, curing time, and the forces the new concrete may be subjected. Under favorable curing conditions, forms may be removed no sooner after placement than the following:

- seven (7) days for supported floor and roof slabs
- 48 hours for wall and columns
- 24 hours for footing walls and piers
- 12 hours for underground duct lines

If high-early strength concrete is used, the above time periods may be reduced by one-half.

These periods presented are the cumulative number of days or fractions thereof, not necessarily consecutive, during which the concrete temperature is above 50° F. Whenever formwork is removed during the curing period, the exposed concrete shall be repaired immediately, finished, and cured as specified under "Concrete - Curing".

**30.06 CONCRETE - PLACEMENT** - Concrete shall not be placed until the forms, previously poured concrete surfaces, reinforced steel, and embedded parts have been cleaned of laitance, loose or defective concrete, soil on rock surface, and any other foreign materials.

All concrete placed when the air temperature is above 45° F shall be placed at the coolest temperature as practicable. Concrete placement is not permitted when hot weather conditions prevent proper placement and consolidation. Concrete will not be accepted if its temperature is in excess of 80° F.

When the mean daily temperature falls below 40° F, the minimum concrete temperature shall be 55° F and as close to this minimum as possible.

When the air temperature is below 40° F, provide suitable protection so the concrete can be maintained at a minimum of 50° F throughout the curing period. The protection and heat source, shall maintain the required temperature and moisture conditions without injury due to concentration of heat. All materials which the concrete contacts such as reinforcing, forms, ground, etc., shall be free of frost prior to placement.

Concrete temperature changes during and immediately following the curing period shall be as uniform as possible and shall not exceed 5° F in any one hour, nor 40° F in any 24 hour period. When heaters are used, prevent local surface heating and drying and provide adequate ventilation to prevent carbonation damage to exposed concrete surfaces. Thermostatic temperature controls shall be provided to control the heated enclosures to 50° F. Temperatures exceeding 80° F are to be avoided.

Concrete shall not be allowed to fall from the end of a chute, tube, or bucket more than 5 feet to point of deposit and shall have a fall free from obstructions. Chutes shall be metal or metal-lined.

Pumping equipment, pipelines, procedures, etc., shall be in accordance with ACI 304R, latest revision, and Civil Engineering shall be consulted for mix design of any pumped application. Conveying equipment for pumped concrete shall be of suitable kind, without "Y" sections and with adequate pumping capacity. No aluminum pipe shall be used. Placement shall be controlled so there is no separation in the discharged concrete. The maximum loss of slump in pumping equipment shall be 1½".

Concrete shall be deposited as near to its final position as possible to avoid long flows in the forms. Concrete shall not be moved more than 10' from point of deposit. Concrete shall be placed in successive horizontal layers, ranging in thickness from 6" to 15" maximum. Concrete shall be placed within 1½ hours after addition of cement to the aggregate.

Where conditions make it difficult to place concrete uniformly and perform compaction at the bottom of forms, batches of mortar containing the same proportion of cement to sand as in the concrete mix shall be deposited first and spread over the cleaned surface to a depth of approximately 1".

Segregated, unworkable, and excessive slump concrete shall not be placed or, if placed, shall be removed and wasted as directed. High slump concrete resulting from addition of approved additives is acceptable for placement. Free water accumulating on new concrete during placement shall be removed as directed by the Engineer.

Placement and compaction methods shall ensure homogeneous concrete with maximum consolidation without segregation. Consolidate concrete by internal vibration, spading, or rodding by working it thoroughly around reinforcement, embedded items, and into corners of forms to eliminate all air or stone pockets which cause honeycombing, pitting, or planes of

weakness. Concrete contacting all formed surfaces shall be spaded manually to eliminate air bubbles.

Place horizontal construction joints at uniform vertical spacing unless otherwise shown on the drawings. Concrete shall not be placed to a depth of more than 10 feet in any 24 hour period, unless approved by Civil Engineering. All concrete placements shall be such as to keep cold joints from forming.

Whenever work is suspended on any section for more than one hour, the horizontal edges of the concrete next to the forms shall be brought to a plane perpendicular to the form face, and treated so no irregular, rough, or feathered edge joints show in the finished work. Before placing the next lift, clean the joint surface and remove all laitance. Immediately before placing new concrete wet the joint surface and remove all standing water.

Unless adequate weather protection is provided, do not place concrete during rain, sleet, or snow.

**30.07 CONCRETE - CURING** - Protect freshly deposited concrete from premature drying and hot or cold temperatures. Maintain a constant temperature throughout the curing period without drying.

All exposed concrete surfaces shall be kept continuously moist overnight by ponding, sprinkling, or by use of an approved membrane type curing compound, which conforms to ASTM C309, latest revision, and applied in conformance with the manufacturer's recommendations.

Curing shall continue, using one of the above methods or waterproof paper, for a 7 day period (3 days for high-early strength concrete) maintaining the concrete at a minimum temperature of 50° F as is practicable. Protective covering with tarpaulins, hay, straw, etc. shall be provided to retard moisture evaporation during hot weather and to prevent rain damage before hardening. Protective covering shall be available for immediate use at all times.

During the curing period, the concrete shall be protected from damaging mechanical disturbances, particularly load stresses, heavy shock, and excessive vibration.

**30.08 SURFACE FINISH** - All surface fins shall be removed.

Exposed concrete surfaces shall not be given any special treatment to enhance appearance, such as rubbing with a stone, without permission of Civil Engineering.

**30.09 LOADING OF CONCRETE** - Normal concrete structures shall not be subjected to external loads in less than:

- four days for foundations, manhole floors, and walls
- seven days for floors, roofs, and columns

Each concrete placement shall be allowed to set 48 hours before addition of a subsequent pour upon it. If high-early cement is used this time period may be reduced by one-half.

Trenches containing concrete encased duct lines constructed on undisturbed original ground may be backfilled not less than two (2) hours after placement. Compaction by light tamping equipment may proceed immediately. Loading of the backfill by heavy equipment or traffic is not permitted before 12 hours after placement.

**30.10 WATERPROOFING** - Waterproofing is provided by the density of the concrete mix and the thickness of concrete. Care must be used in placing and compacting the concrete to eliminate all voids and potential leakage paths. When structures less than 8" thick must be waterproof, consult Civil Engineering to revise the mix design to achieve the desired waterproof result.

### 31.0 Easement Application Form

#### LIBERTY UTILITIES EASEMENT APPLICATION FORM

FOR LIBERTY UTILITIES' USE ONLY			
<b>Application for Easements (check one):</b>	<input type="checkbox"/> OH (jointly owned or solely owned)	<input type="checkbox"/> UG	<input type="checkbox"/> Electric
	<input type="checkbox"/> Padmount transformer only	<input type="checkbox"/> URD	<input type="checkbox"/> Gas
<b>Work Request Number</b> _____			
Utility Engineer's Name: _____ Telephone Number: _____			

Please complete **ALL** of the sections below so that we may prepare an easement for your signature. Do not leave any sections unanswered. If a section does not apply to you simply put “n/a” on that line. Incorrect or incomplete information will delay service installation.

Property Owner(s): \_\_\_\_\_

**Property Owner Mailing Address**

**Property Address of Easement**  
(if different from mailing address)

Address: \_\_\_\_\_

Address: \_\_\_\_\_

City: \_\_\_\_\_

City: \_\_\_\_\_

State & County \_\_\_\_\_

State & County \_\_\_\_\_

Zip \_\_\_\_\_

Zip \_\_\_\_\_

Customer Contact Person: \_\_\_\_\_

Daytime Phone(s): \_\_\_\_\_

Re: Subdivision Title: \_\_\_\_\_

1. Provide us with a **RECORDED** copy of the present owner's deed, Book \_\_\_\_\_ Page \_\_\_\_\_
  - a) If multiple deeds make up the whole parcel, please include all deeds.
  - b) If the Property Owner is a b1) CORPORATION, b2) TRUST, b3) PARTNERSHIP, or b4) LIMITED LIABILITY COMPANY, provide the following which is applicable:

b1) President Name: \_\_\_\_\_ Treasurer Name: \_\_\_\_\_  
*See Footnote 1 Below*

**Or**

Vice President: \_\_\_\_\_ Asst. Treasurer: \_\_\_\_\_

1 If neither "Name Combinations" is available, the person(s) signing the easement must have a Corporate vote authorizing them to sign on behalf of the Corporation.



### 32.0 Approved Concrete Precast Manufacturers

<p><b>Phoenix Precast Products</b>                  77 Regional Drive                  Concord, NH 03301                  Jerry Mailloux 1-800-639-2199                  jerry@phoenixprecast.com</p>	<p><b>Shea Concrete</b>                  160 Old Turnpike                  Nottingham, NH 03290                  Phone: 1- 800-696-7432, 603-942-5668</p>
	<p><b>Shea Concrete</b>                  87 Haverhill Street                  Amesbury, MA 01913                  Greg Stratus 1-800-696-7432</p>



### 33.0 Approved Material – Underground Commercial Installations

Liberty Utilities Item ID	Item Description	Manufacturer 1 Part No.	Manufacturer 2 Part No.	Manufacturer #3 Part No.
<b>Conduit – Straight</b>				
8830-2010404	Conduit, 4", PVC	Carlton: 48815	IPEX:8741	Cantex A79EA42
8830-2011024	Conduit, Galvanized, 4"	By Description		
8830-2010405	Conduit, 5", PVC	Carlton 48815	IPEX 8751	
8830-2011025	Conduit, Galvanized, 5"	By Description		
<b>Conduit – Bends</b>				
8830-5690446	Bend, Galvanized, 4" 36" radius	BayneJones 400R9036	Conduit mfg TUB490D36RGALEL	
8830-5690493	Bend, PVC Sch 40, 4", 90 Degree, 36" Rad.	Cantex: 5233842	Carlton: UA9FNB	Certifsaft 59734
<b>Spacers</b>				
8830-5646963	Spacer, 4", Base	GS Industries: 186-1	IPEX: 29573	
8830-5646960	Spacer, 4", Inter.	GS Industries: 185-1	IPEX: 29557	
<b>Conduit Accessories</b>				
8830-5641210	Riser Strap, 4"	Electrical Materials: 50-4 USHD	BayneJones MINRLAC HD-296	
8830-7011830	Lag Screw, 1/4" x 2"	Elect. Materials 106 or 106M	Joslyn J26486.1	PLH LSNW-142
8830-3503074	Pipe Grd. Connector, 4" and 5"	Burndy GAR3905-BU	Thomasbett (0)3905-BU	
8830-2010424	Temporary Duct 4" Plug, DB	Carlton: P258NT	Scepter 57	
8830-2011254	Duct Plug Galvanized 4"	Crousehind PLG105		
8830-2010434	Adapter, Female, PVC-Steel, 4"	Carlton: E942N	Cantex: 5140052	Scepter FA55
8830-5693359	Coupling, 5 Degree, Bell-Spigot, 4"	Carlton: E244N	Cantex: 6151452	Certifsaft 59544
8830-2010444	Coupling, 5 Degree, Bell-Bell, 4"	Ameripipe FT518	Carlton E2440NF	Scepter 7604360040
8830-2010454	Straight Coupling, 4"	Carlton: E240N	Scepter 760443540	
8830-2010464	Bell End Female 4"	Carlton: E997N	Cantex: 5144012	
8830-9202062	Mule Tape	NEPTCO WP2500P	Arnco DLWP25	Condux 08096303
8830-2011254	Plug Galvanized. 4" Threaded for Spare Riser	CROUSEHIND PLG105		
8830-9202201	Plug Conduit 4" with metal loop for mule tape.	Carlton MAEPG7		

Liberty Utilities Item ID	Item Description	Manufacturer 1 Part No.	Manufacturer 2 Part No.	Manufacturer #3 Part No.
<b>Transformer Foundations – Precast</b>				
8830-9200896	Three Phase 15 kV 75-500 kVA	Reference 044-113 LU-MS2582	Phoenix Precast Concrete	
8830-9202324	Three Phase 15 kV 750-2500 kVA	Reference 044-114 LU-MS2583	Phoenix Precast Concrete	
8830-9200898	Three Phase 25-35kV 75-300kVA	Reference 044-115 UF8C	Phoenix Precast Concrete	
8830-9200896	Three Phase 25-35kV 500-2500kVA	Reference 044-116 UF8D	Phoenix Precast Concrete	
<b>Grounding Accessories</b>				
8830-2011100	Grounding Bushing, 4"	CROUSEHIND GLL-10C	OZGEDNEY BLG 4122	
8830-3503013	Grounding Rod 5/8" x 8' Solid Copperweld	ERITECH 615880	Galvin6258	Joslyn:J8338
8830-9201272	2/0 Cu, Bare, Soft Drawn, 19 Strand	By Description		
8830-3503328	Ground Rod Clamp	Burndy: GRC58	Blackburn: JAB58H	Electromotion EM58DBW
8830-5960412	"C" Connector, 2/0 – 2/0	Burndy: YC26C26TN		
8830-3503074	Clamp, ground, conduit 4" heavy duty, Bronze	Burndy GAR3905-BU		
<b>Splice box, Handhole, Switchgear Manhole</b>				
8830-5640808	Primary Pull/Splice Box	Quazite (Hubbell): PA12-3060-37-0271	Highline: CVA306038HEIK	
8830-5643075	Heavy Duty Handhole on page 26	Phoenix Precast Concrete		
8830-9200893	Switchgear Manhole 15kV	Phoenix Precast Concrete		
8830-9200894	Switchgear Manhole 25- 35kV	Phoenix Precast Concrete		
8830-2012198	Fiberglass Switchgear (Contact LU for specs.)			
<b>Precast Oil Containment Wall</b>				
8830-9202153	Three Phase 15 kV 75-500 kVA	Phoenix Precast Concrete		
8830-9202154	Three Phase 15 kV 750-2500 kVA	Phoenix Precast Concrete		
	Three Phase 25-35kV 75-300kVA			
	Three Phase 25-35kV 500-2500kVA			
<b>Manhole Frame, Ring and Cover</b>				
8830-5644514	Frame 36" square	Neenah Foundry NF-1743	Phoenix Precast Products	
8830-5644550	Ring 26" to 36"	Neenah Foundry NF-1743	Phoenix Precast Products	
8830-5644360	Cover 26"	Neenah Foundry NF-1743	Phoenix Precast Products	

### 34.0 Other Materials/ Suppliers

#### Secondary connectors

Burndy Co

Richards Co

Utilco

Wesco

Graybar

#### Compression Connection Crimp Tool (Used for ground grids)

Burndy MD7-8 with the extra die set (W-BG).

Stuart C. Irby Co

80 Pepsi Road  
Manchester, NH 03109-5303  
Wally Litchfield  
603-624-8614  
[wally.litchfield@graybar.com](mailto:wally.litchfield@graybar.com)

#### Secondary Splice box

Elliot Industries

#### Manhole frame, ring and cover

Phoenix Precast Products  
Concord, NH 03301  
1-800-639-2199  
Jerry Mailloux

#### Bollard Covers

Part number # BC760YW or equivalent (*Company* approval required)

Innoplast 1-800-516-9287

The materials in this book can be found at most Electrical supply stores, listed below are a few.

Graybar

80 Pepsi Road  
Manchester, NH 03109-5303  
Wally Litchfield  
603-624-8614  
[wally.litchfield@graybar.com](mailto:wally.litchfield@graybar.com)

Wesco

117 Londonderry Tpke.  
Hooksett, NH 03106-2015  
Duane Cahill  
603-391-3118

**Note:** If 5" conduit is specified in the design to be used the *Company* will need to verify and approve materials purchased for installation by the *Customer*.

## 35.0 Job Check Off Sheets

### 3 PHASE, CONDUIT ENCASED IN CONCRETE INSPECTION CHECK LIST

Do not pour concrete or backfill **BEFORE** conduit system inspection and approval by company inspector. Every item listed below must be inspected and checked by a Company inspector.

N\*      Y\*

#### PRE-TRENCH (no inspection)

- |   |   |   |
|---|---|---|
| / | / | Final grade established, surface rough graded, and roadways staked. |
| / | / | Developer has Service Specifications on site.                       |
| / | / | Easement has been executed.   |

#### TRENCH (prior to concrete encasement)

- |   |   |  |
|---|---|--|
| / | / | Min. 30" depth from <u>existing grade</u> to top of encasement during all phases of construction.  |
| / | / | Electric conduits on "road side", with 1 spare conduit, in all multi-utility trench installations. |
| / | / | Min. separation between electrical conduit and foreign conduits or pipes.                          |
| / | / | All road crossing perpendicular.   |
| / | / | Conduit plugs installed.   |
| / | / | Plastic spacers properly installed every 5 to 8' intervals' and at every coupling.                 |
| / | / | All curves properly formed with 5° couplings.  |
| / | / | Company conduits to be in separate encasement from all other utilities.                            |

#### PRE-BACKFILL (after concrete encasement)

- |   |   |  |
|---|---|--|
| / | / | Company conduit in separate encasement.  |
| / | / | Minimum separation to foreign utilities and subsurface pipes maintained.   |
| / | / | Encased concrete thickness > 3" around all conduits.   |
| / | / | Sand or screened backfill (with less than 1" stones) on-site for backfilling entire trench, (inspector may witness backfilling). |
| / | / | Warning tape 8" to 12" below finish grade and directly above electrical conduit system.  |
| / | / | No parallel non company utilities directly above or below electrical system.   |

#### AFTER BACKFILL (pre-conductor installation inspection)

- |   |   |   |
|---|---|---|
| / | / | Install 2500 lb. Pulling Tape in all conduit after rodding with a mandrell. |
|---|---|---|

#### HEAVY DUTY HANDHOLE

- |   |   |  |
|---|---|--|
| / | / | 6" of crushed stone under handhole.  |
| / | / | Seal around conduit entrances with concrete or mortar.                       |
| / | / | Manhole cover at finish grade with 2 courses of brick and grout for chimney. |

#### PULLBOX/SPLICE BOX

- |   |   |   |
|---|---|---|
| / | / | 4" of crushed stone under pullbox foundation.                               |
| / | / | Cover left secured to box when unattended.                                  |
| / | / | Flush with sidewalk or slightly above any grassy area.                      |
| / | / | Installed behind curb or other protection to prevent damage (e.g. snowplow) |

#### RISER POLE

- |   |   |  |
|---|---|--|
| / | / | 90° BEND AND straight pipe galvanized steel conduit.           |
| / | / | Steel-PVC adapter and steel sweep shall <u>not</u> be encased. |
| / | / | Ground clamp installed with tap.                               |

\*NOTE

Y – Acceptable

N – Deficient

**TRANSFORMER FOUNDATION INSPECTION CHECK LIST**

Do not pour concrete prior to inspection and approval by Company of the pad forming and reinforcement, the subgrade preparation, and the ground grid. Do not back fill after removing the forms prior to pad inspection. Every item listed below must be inspected and checked off by Company inspector.

N\*      Y\*

**PRE-INSTALLATION**

- |   |   |   |
|---|---|---|
| / | / | Proposed location within 10' of paved way open to vehicular access.   |
| / | / | Proposed location has minimum of 10' clear space in front of transformer doors.   |
| / | / | Proposed location has minimum clearance to buildings, doorways, windows, ventilation ducts, fire escapes, and other combustibles as per pages 14 and 15 of this guide.. |
| / | / | Bollard locations are identified by Company.  |
| / | / | Ground grid installation and two ground rods  |

**PRE-POURING**

- |   |   |   |
|---|---|---|
| / | / | 12" gravel and 2" sand below pad location..                     |
| / | / | Reinforcing bars.   |
| / | / | Concrete forms correct height, size, orientation, opening, etc. |
| / | / | Concrete forms in correct location.                             |
| / | / | Ground grid installation and two ground rods.                   |
| / | / | 36" radius at all 90° sweeps into pad stopping 1" above pad.    |
| / | / | Secondary sweeps in place and proper number.                    |

**AFTER POURING** (after removing forms and prior to backfilling)

- |   |   |                                    |
|---|---|------------------------------------|
| / | / | Pad correctly formed and 10" high. |
| / | / | ¾" chamfer along the edges.        |
|   |   | Sweeps 1" above pad.               |

**AFTER BACKFILLING**

- |   |   |  |
|---|---|--|
| / | / | 6" protective bollards are correctly installed.  |
| / | / | Pad 5" above final grade.  |
| / | / | Pad has 10' of clear space in front of transformer doors, is 10' from an accessible paved way and has the minimum clearance to other structures. |

NOTE              Y – Acceptable              N- Deficient

### 36.0 Cable Installation Maximum Pull Chart

Straight cable pull chart typical maximum pulls						
Wire Size	15kV Class			35kV Class		
	Riser to Pad	Riser to Pull Box	Pull box to Pull Box	Riser to Pad	Riser to Pull Box	Pull box to Pull Box
#2 AL	530	605	750	n.a.	n.a.	n.a.
1/0 AL	n.a.	n.a.	n.a.	320	360	750
2/0 CU	n.a.	n.a.	n.a.	615	695	750
4/0 CU	695	720	750	n.a.	n.a.	n.a.

Note:

- 1) All Calculations are based on a straight pulls
- 2) All conduits are 4"
- 3) Assume 50Lb reel drag
- 4) Assume .5 for coefficient of friction
- 5) Pulls are in feet
- 6) Pulls distances are shown from worst case pulling end.

## 37.0 Padmount Transformer Compartment Sealing Requirements

Issued by Standards #09-09

Safety  
Standards  
Work Methods

### THREE PHASE PADMOUNTED TRANSFORMER SEALING

Padmounted transformer compartment areas shall be sealed to minimize the direct release of transformer fluid into the ground through the primary and secondary compartment areas of the transformer. Sealing the compartment areas will better contain the release, allowing the fluid to be noticed more promptly.

The following describes how to seal the compartments areas. Compartment areas shall be filled with sand to a grade of 4" below the top of the concrete pad. On top of the sand a concrete grout (no aggregate) or expanding foam (STD Item UF10) shall be installed to the top to the concrete pad. The installer of the transformer pad and conduit is required to seal the compartment areas. All conduits shall also be filled in with expanding foam. The customer is required to seal all conduits where they are installing customer owned cables, this includes the spare conduits in that duct bank. The company is required to seal all conduits where they are installing company owned cables, this includes the spare conduits in that duct bank. This detail is further explained in the Underground Construction Standards book in section 44.20. Note: Keep the expanding foam stored in a heated environment to make applying easier.

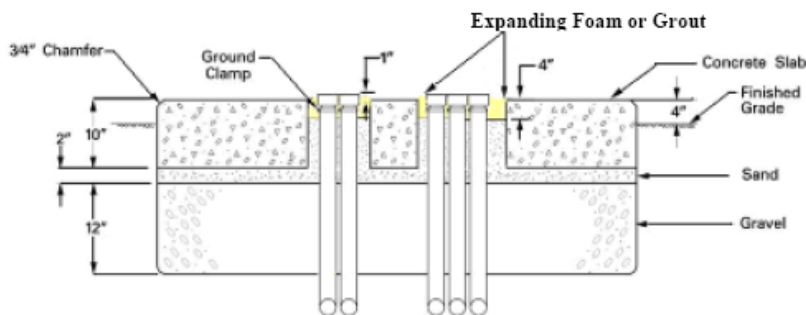


To seal spare conduit , install rag and fill with the expanding foam.



Grouted Area

Apply expanding foam in between all cables to form a complete seal.



Cross section view of a padmounted transformer having primary and secondary compartments filled with sand and Expanding Foam.

### 38.0 Revision History

<b>Date</b>	<b>Rev #</b>	<b>Description</b>	<b>Author/Lead Person</b>
07/03/12	0	Initial Version of Document	Robert J Johnson
04/01/14	1.0	Update to reflect new Liberty Utilities Policy 2 Line Extension Policy for Residential Developments (URD)	Robert J Johnson





Liberty Utilities is an independent water, natural gas, and electric company providing local utility management, service and support to small and mid- sized communities across the United States. Serving over 470,000 customers in ten states, Liberty Utilities is committed to local decision making that directly meets the needs of its customers. This means providing walk in customer service centers, creating jobs, and providing responsive and reliable service. As a company, Liberty Utilities promotes local conservation and energy efficiency initiatives and programs for businesses and residential customers, including the low-income sector. The company measures its performance on customer experience, public and workplace safety, and service reliability. Liberty Utilities currently operates in Arizona, Arkansas, California, Illinois, Iowa, Georgia, Massachusetts, Missouri, New Hampshire, and Texas. For more information, please visit [www.LibertyUtilities.com](http://www.LibertyUtilities.com).

## Liberty Utilities

15 Buttrick Rd  
Londonderry, NH 03053  
1-800-375-7413

[www.libertyutilities.com](http://www.libertyutilities.com)



**Liberty Utilities**<sup>SM</sup>