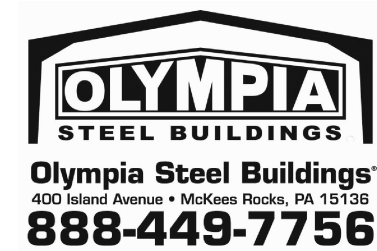
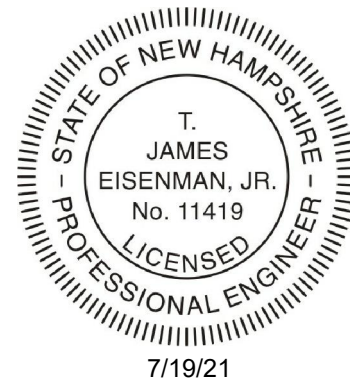


UNIVERSAL STEEL BUILDINGS

MARCUS HAMPERS

FO# 25196

Building 1 of 1



INDEX OF DRAWINGS

Page	Drawing Title	REV NO.
	Cover Page	0
1	Specifications	0
2	Anchor Bolt Plan	0
3	Rigid Frame Reactions	0
4	EndWall Reactions, Design Criteria	0
5	Anchor Bolt Details	0
6	Roof Framing	0
7	Roof Panel Layout	0
8	Rigid Frame #1	0
9	Front Sidewall Framing	0
10	Back Sidewall Framing	0

Page	Drawing Title	REV NO.
11	Left Endwall Framing	0
12	Right Endwall Framing	0
13	Detail Page #1	0
14	Detail Page #2	0
15	Detail Page #3	0
16		0
17		0
18		0
19		0
20		0
21		0

Page	Drawing Title	REV NO.
22		0
23		0
24		0
25		0
26		0
27		0
28		0
29		0
30		0
31		0
32		0

GENERAL

All materials included in the Metal Building System are in accordance with the manufacturer's standard materials and details unless otherwise specified on the order documents. (MBMA 2012 Metal Building Systems Manual, Part IV, Section 2.1)

DESIGN RESPONSIBILITY

The manufacturer is responsible only for the structural design of the Metal Building System it sells to the purchaser / customer. Neither the manufacturer nor the manufacturer's engineer is the design professional or engineer of record for the construction project. The manufacturer is not responsible for the design of any component or materials not sold by it, or their interface and connection with Metal Building System unless such design responsibility is specifically required by the order documents. (MBMA 2012 Metal Building Systems Manual, Part IV, Section 3.1)

FOUNDATION DESIGN AND ANCHOR BOLTS

The manufacturer is not responsible for the design, materials, and workmanship of the foundation. The anchor bolt plans prepared by the manufacturer are intended to show only the anchor bolt location, diameter (based on ASTM A36 bolts), and quantity required to connect the Metal Building System to the foundation. (MBMA 2012 Metal Building Systems Manual, Part IV, Section 3.2.2). It is the responsibility of the end customer to ensure that adequate provisions are made for specifying bolt embedment, bearing angles, tie rods, and / or associated items embedded in the concrete foundation, as well as foundation design based on the loads imposed by the Metal Building System, or other imposed loads, and the bearing capacity of the soil and other conditions of the building site. (MBMA 2012 Metal Building Systems Manual, Part IV, Section 3.2.2) U.S.-Anchor bolts shall be accurately set to a tolerance of +/- 1/8 in both elevation and location (AISC Code of Standard Practice for Steel Buildings and Bridges). Canada -Anchor bolts shall be accurately set in accordance with CISC Code of Standard Practice, June 2008, Clause 7.7.1

ADJACENT EXISTING BUILDINGS

The manufacturer does not investigate the influence of the Metal Building System on adjacent existing buildings or structures. The end customer assures that such buildings and structures are adequate to resist snow loads or other conditions as a result of the presence of the Metal Building System. (MBMA 2012 Metal Building Systems Manual, Part IV, Section 3.2.5)

SHOP-PRIMED STEEL

All structural members of the Metal Building System not fabricated of corrosion resistant material or protected by corrosion resistant coating are painted with one coat of shop primer. All surfaces to receive shop primer are cleaned of loose rust, loose mill scale and other foreign matter by using, as a minimum the hand tool cleaning method SSPC-SP2 (Steel Manual, Structures Painting Council) prior to painting. The coat of shop primer is intended to protect the steel framing for only a short period of exposure to ordinary atmospheric conditions. Shop-primed steel should be placed on blocking to prevent contact with the ground, and so positioned as to minimize water holding pockets, dust, mud and other contamination of the primer film. Repairs of damage to primed surfaces and or removal of foreign material due to improper field storage or site conditions are not the responsibility of the manufacturer. (CISC Code of Standard Practice, June 2008, Clause 6.8; (MBMA 2012 Metal Building Systems Manual, Part IV, Section 4.2.4).

ERECTION-GENERAL

The erector, by entering into contract to erect the building, holds itself out as skilled in the erection of Metal Building Systems and is responsible for complying with all applicable local, federal, and state construction and safety regulations including OSHA regulations as well as any applicable requirements of local, national, or international union rules or practices. (CISC Code of Standard Practice, June 2008, Clause 7.2; (MBMA 2012 Metal Building System Manual, Part IV, Section 6.9).

The erector shall erect the Metal Building System in accordance with the erection drawings, the Erection and Detail Manual (February 2012), and / or the Seam-Lok Technical - Erection manual (May 2012) as furnished by the manufacturer. The aforementioned erection information is intended to illustrate the layout of the framing members, provide the associated connection details, and suggests sequence of erection. It is not intended to specify any particular method of erection to be followed by the erector. The erector remains solely responsible for the safety and appropriateness of all techniques and methods utilized by its crews in the erection of the Metal Building System. The erector is responsible for supplying any safety devices such as scaffolds, runways, nets, et, which may be required to safely erect the Metal Building System. (MBMA 2012 Metal Building Systems Manual, Part IV, Section 6.9) The manufacturer expressly disclaims any responsibility for injury to persons in the course of erection or for damages to the product itself. Field erection of a Pre-Engineered Metal Building, as in all construction projects, involves hazards to persons within the area of the construction and risk of damage to the property itself. Only experienced persons who are skilled and qualified in the erection of Metal Building Systems should be permitted to field-erect a building due to the hazards of this construction activity. The manufacturer is not responsible for the erection of the Metal Building System, the supply of any tools or equipment, or any other field work. The manufacturer provides no field supervision for the erection of the structure nor does the manufacturer perform any intermediate or final inspections of the Metal Building System during or after erection.

The erector shall furnish temporary guys and bracing where needed for squaring, plumbing, and securing the structural framing against loads, such as wind loads acting on the exposed framing as well as loads due to erection equipment and erection operation, but not including loads resulting from the performance of work by others. Bracing furnished by the manufacturer for the Metal Building System cannot be assumed to be adequate during erection. Temporary supports such as temporary guys, braces, false work, cribbing, or other elements required for the erection operation will be determined, erected, and installed by the erector. (AISC Code of Standard Practice for Steel Buildings and Bridges, April 14, 2010, Section 7.10.3; CISC Code of Standard Practices, June, 2008, Clause 1.5; MBMA 2012 Metal Buildings System Manual, Part IV, Section 6.2.1.5).

ERECTION TOLERANCES

U.S. ; Erection tolerances are those set forth in AISC code of standard practice except individual members are considered, plumb, level and aligned if the deviation does not exceed 1:500. (AISC Code of Standard Practice for Steel Buildings and Bridges April 14, 2010 Section 7.13.1; MBMA 2012 Metal Building Systems Manual, Part IV, Section 6.8) Canada; Erection tolerances are those set forth in CISC Code of Standard Practice except individual members are considered plumb, level and aligned if the deviation does not exceed 1:500. (CISC Handbook of Steel Construction, Tenth Edition, Second Revised Printing, Part 1, Clause 29.3; MBMA 2012 Metal Building Systems Manual, Part IV, Section 6.8)

BOLT TIGHTENING

The proper tightening and inspection of all fasteners is the responsibility of the erector (Reference RCSC for structural joints using high strength bolts; August 1, 2014). All high strength (ASTM F3125, A325, A490) bolts and nuts must be tightened by the "turn-of-the-nut" method unless otherwise specified by the end customer in the contract documents. Inspection of high strength bolt and nut installation by other than the erector must also be specified in the contract documents and the erector is responsible for ensuring that the installation procedures are compatible prior to the start of erection (CISC Handbook of Steel Construction, Tenth Edition, Second Revised Printing, Part 1, Clause 23.8.2), (MBMA 2012 Metal Building Systems Manual, Part IV, Section 6.9).

MATERIALS	ASTM DESIGNATION	MINIMUM YIELD	MATERIALS	ASTM DESIGNATION	MINIMUM YIELD
Hot-Rolled Mill Sections	A 36, A 572, A 992	Fy = 36 ksi and/or 50 ksi	Roof and Wall Sheeting	A 792, Gr. 50 Class 1 A 792, Gr. 80	Fy = 50 ksi Fy = 80 ksi
Structural Steel Plates	A 572, A 1011	Fy = 55 ksi	Mild Steel Bolts	A 307	Fy = 36 ksi
Structural Steel Bars	A 572 or A 529	Fy = 55 ksi	High Strength Bolts	F3125: A 325-N A 490-N	Fy = 92 or 81 ksi N/A
Cold Formed Light Gauge Shapes	A 653 Gr. 55	Fy = 55 ksi	Anchor Rods (If supplied)	A 36	Fy = 36 ksi
Cable Bracing	A 475, EHS	N/A	Pipe and Hollow Structural Sections	A 500 Gr. B	Fy = 42 ksi, 46 ksi
Rod Bracing	A 36	Fy = 36 ksi			

CORRECTION OF ERRORS AND REPAIRS

The correction of minor misfits by the use of drift pins to draw the components into line, shimming, moderate amounts of reaming, chipping, and cutting, and the replacement of minor shortages of material are a normal part of erection and are not subject to claim. (AISC Code of Standard Practice for Steel Buildings and Bridges, April 14, 2010, Section 7.14; CISC Code of Standard Practice, June 2008, Clause 7.15; MBMA 2012 Metal Building Systems Manual, Part IV, Section 6.10).

DRAWING DISCREPANCIES

In case of discrepancies between the manufacturers steel plans and plans for other trades, the manufacturers steel plans govern. (AISC Code of Standard Practice for Steel Buildings and Bridges, April 14, 2010, Section 3.3; CISC Code of Standard Practice, June 2008, Clause 3.4; MBMA 2012 Metal Building Systems Manual, Part IV, Section 3.1).

DELIVERIES

Delivery of any material by the manufacturers carrier, a common carrier, or to purchasers/ customers own leased, chartered, or authorized conveyance shall constitute delivery to builder, and thereafter, such material shall be at builders risk. If builder chooses to use its own, or private carrier, it shall be solely responsible for compliance with all applicable government regulations. All charges shall be borne by the builder. The manufacturers responsibility for damage or loss ceases upon delivery of shipment to carrier. The manufacturer will endeavor to deliver on the required date. The manufacturers truck is not considered as being late if deliveries are between 8am - 12pm (morning) and 12pm - 5pm (afternoon). However, the manufacturer cannot be held responsible for circumstances beyond our control. For deliveries via the manufacturers truck, the manufacturer will only honor claims that were approved by the customer service department at the time of delivery. For deliveries via contract carriers, it is the responsibility of the customer to file claims with the carrier. The manufacturer cannot assume any liability for the claim.

SHORTAGES

The purchaser /customer should make an inspection upon arrival of all building components. The purchaser/customer must note on the freight bill any missing item(s) and notify the manufacturers customer service department immediately; otherwise, the manufacturer cannot be held responsible for any shortages. If any item is damaged, note on the bill of lading and file a claim with the freight agent. Concealed shortages must be reported to the manufacturers customer service department within the following time frames (date from receipt of first delivery), based on the project shipment size, i.e., number of truck loads used in delivery.

1 to 3 loads...2 weeks 4 loads and over...3 weeks The manufacturers responsibility for shortages expires at the end of these time periods.

FABRICATION ERRORS

The purchaser/customer is responsible for contacting the customer service department to advise the manufacturer of fabrication problems and corresponding cost estimates. The manufacturer will be responsible for providing the builder with verbal approval to proceed with appropriate field corrections. This will be done in a timely manner. IF THE BUILDER PROCEEDS WITH CORRECTIVE WORK WITHOUT THE MANUFACTURERS APPROVAL, HE DOES SO AT HIS OWN RISK. The manufacturer shall not be responsible for any claims where the purchaser/customer has not documented the problem, its correction, and reasonable costs for repair, and submitted this documentation for payment within 30 days of the occurrence.

INVOICE PAYMENT

By acceptance of the materials of services set forth in the invoice, the purchaser/customer agrees to pay the invoice amount within the time period specified on the invoice. AT NO TIME IS IT ACCEPTABLE TO DEDUCT A BACK CHARGE OR SHORTAGE FROM AN INVOICE.

SAFETY PROCEDURES

The manufacturer is committed to manufacturing a quality product that can be erected safely. Although good job site practices and a commitment to safety by the erector are beyond the control of the manufacturer, the manufacturer highly recommends the erector provide good, safe working conditions on the job site. The erector should follow all local, state, and federal health and safety regulations at all times. Accident prevention practices should be implemented and each employee should know emergency procedures. The manufacturer also recommends daily meetings to discuss erection safety procedures. For additional information concerning federal health and safety regulations, contact the occupational safety and health administration (osha).

U.S. Department of Labor
Occupational Safety and Health Administration
200 Constitution Avenue, N.W.
Washington, DC 20210
www.osha.gov

The manufacturer shall not be responsible for personal injury or property damage as a result of failure to follow all applicable safety regulations and material handling and installation recommendations.



Olympia Steel Buildings
400 Island Avenue • McKees Rocks, PA 15136
888-449-7756

MARCUS HAMPERS

30'-0" x 30'-0" x 12'-0"

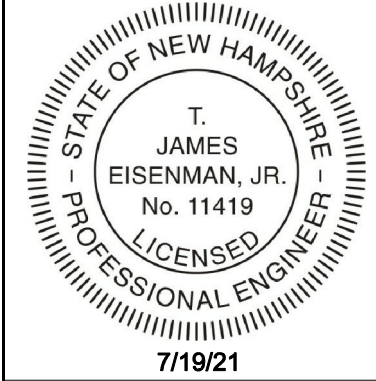
DATE: 7/12/21 REVISION: 0

ENG: MCK DWN: BJC APPD: MCK

F.O.25196

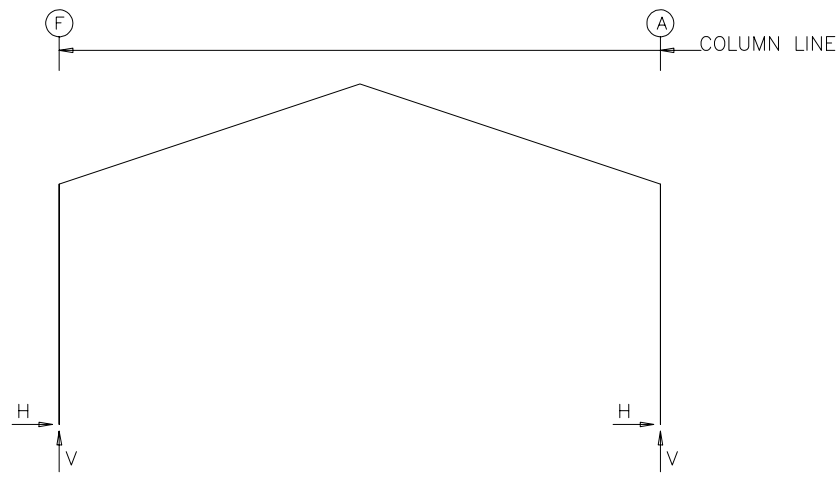
REVISION HISTORY	DATE	DESCRIPTION
REV.		

DRAWING STATUS
<input type="checkbox"/> FOR APPROVAL: THESE DRAWINGS, BEING FOR APPROVAL, ARE BY DEFINITION NOT FINAL, AND ARE FOR CONCEPTUAL REPRESENTATION ONLY. THEIR PURPOSE IS TO CONFIRM PROPER INTERPRETATION OF THE PROJECT DOCUMENTS. ONLY DRAWINGS ISSUED "FOR CONSTRUCTION" CAN BE CONSIDERED AS COMPLETE.
<input type="checkbox"/> FOR PERMIT: THESE DRAWINGS, BEING FOR PERMIT, ARE BY DEFINITION NOT FINAL. ONLY DRAWINGS ISSUED "FOR CONSTRUCTION" CAN BE CONSIDERED AS COMPLETE.
<input checked="" type="checkbox"/> FOR CONSTRUCTION: FINAL DRAWINGS.



7/19/21

FRAME LINES: 2 3



RIGID FRAME: BASIC COLUMN REACTIONS (k)

Frame Line	Column Line	-----Dead-----		-----Collateral-----		-----Live-----		-----Snow-----		-----Wind_Left1-----		-----Wind_Right1-----	
		Horiz	Vert	Horiz	Vert	Horiz	Vert	Horiz	Vert	Horiz	Vert	Horiz	Vert
2*	F	0.2	0.8	0.0	0.2	0.9	3.0	3.1	10.5	-1.7	-3.1	0.6	-1.9
2*	A	-0.2	0.8	0.0	0.2	-0.9	3.0	-3.1	10.5	-0.6	-1.9	1.7	-3.1
Frame Line	Column Line	--Wind_Left2--		--Wind_Right2--		--Wind_Long1--		--Wind_Long2--		--Seismic_Left--		Seismic_Right	
		Horiz	Vert	Horiz	Vert	Horiz	Vert	Horiz	Vert	Horiz	Vert	Horiz	Vert
2*	F	-1.9	-2.1	0.5	-0.8	0.4	-3.8	0.1	-3.7	-0.3	-0.2	0.3	0.2
2*	A	-0.5	-0.8	1.9	-2.1	-0.1	-3.7	-0.4	-3.8	-0.3	0.2	0.3	-0.2
Frame Line	Column Line	--Seismic_Long		F1UNB_SL_L-		F1UNB_SL_R-							
		Horiz	Vert	Horiz	Vert	Horiz	Vert						
2*	F	0.0	-0.9	2.7	11.1	2.7	6.1						
2*	A	0.0	-0.9	-2.7	6.1	-2.7	11.1						
2*	Frame lines:	2 3											

RIGID FRAME: ANCHOR BOLTS & BASE PLATES

Frm Line	Col Line	Anc. Qty	Bolt Dia	Base_Plate (in)			AFF/BFF (in)
				Width	Length	Thick	
2*	F	4	0.750	8.000	12.00	0.500	0.0
2*	A	4	0.750	8.000	12.00	0.500	0.0
2*	Frame lines:	2 3					



MARCUS HAMPERS
30'-0" x 30'-0" x 12'-0"

DATE: 7/12/21 REVISION: 0
ENG: MCK DWN: BJC APPD: MCK

F.O. 25196

MARCUS HAMPERS

DRAWING STATUS

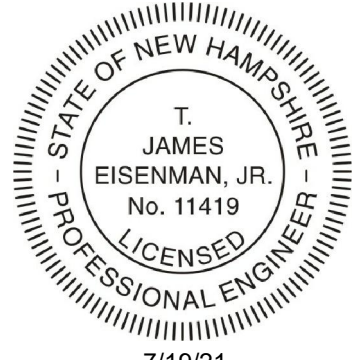
FOR APPROVAL: THESE DRAWINGS, BEING FOR APPROVAL, ARE BY DEFINITION NOT FINAL, AND ARE FOR CONCEPTUAL REPRESENTATION ONLY. THEIR PURPOSE IS TO CONFIRM PROPER INTERPRETATION OF THE PROJECT DOCUMENTS. ONLY DRAWINGS ISSUED "FOR CONSTRUCTION" CAN BE CONSIDERED AS COMPLETE.

FOR PERMIT: THESE DRAWINGS, BEING FOR PERMIT, ARE BY DEFINITION NOT FINAL. ONLY DRAWINGS ISSUED "FOR CONSTRUCTION" CAN BE CONSIDERED AS COMPLETE.

FOR CONSTRUCTION: FINAL DRAWINGS.

REVISION HISTORY

REV.	DESCRIPTION	DATE



BASIC COLUMN REACTIONS (k)														
Frm Line	Col Line	Dead Vert	Collat Vert	Live Vert	Snow Vert	Wind_Left1 Horz	Wind_Left1 Vert	Wind_Right1 Horz	Wind_Right1 Vert	Wind_Left2 Horz	Wind_Left2 Vert	Wind_Right2 Horz	Wind_Right2 Vert	Wind Press Horz
1	F	0.2	0.0	0.2	0.8	0.7	-1.6	0.0	1.1	0.7	-1.4	0.0	1.4	-0.4
1	E	0.4	0.1	1.3	4.6	0.0	-0.2	0.7	-2.5	0.0	0.2	0.7	-2.1	-1.4
1	B	0.4	0.1	1.3	4.6	0.0	-0.9	0.0	-1.6	0.0	-0.5	0.0	-1.2	-1.4
1	A	0.2	0.0	0.2	0.8	0.0	-0.5	0.0	-0.2	0.0	-0.2	0.0	0.0	-0.4

Frm Line	Col Line	Wind Suct Horz	Wind_Long1 Horz	Wind_Long1 Vert	Wind_Long2 Horz	Wind_Long2 Vert	Seis_Left Horz	Seis_Left Vert	Seis_Right Horz	Seis_Right Vert	E1UNB_SL_L Horz	E1UNB_SL_L Vert	E1UNB_SL_R Horz	E1UNB_SL_R Vert
1	F	0.5	0.0	0.2	0.3	-0.7	0.3	-0.6	0.0	0.7	0.0	0.8	0.0	0.0
1	E	1.5	0.3	-2.0	0.0	-0.5	0.0	0.6	0.3	-0.7	0.0	5.9	0.0	2.2
1	B	1.5	0.0	-1.0	0.0	-1.4	0.0	0.0	0.0	0.0	0.0	2.3	0.0	5.8
1	A	0.5	0.0	-0.2	0.0	-0.4	0.0	0.0	0.0	0.0	0.0	0.0	0.0	0.8

Frm Line	Col Line	Dead Vert	Collat Vert	Live Vert	Snow Vert	Wind_Left1 Horz	Wind_Left1 Vert	Wind_Right1 Horz	Wind_Right1 Vert	Wind_Left2 Horz	Wind_Left2 Vert	Wind_Right2 Horz	Wind_Right2 Vert	Wind Press Horz
4	A	0.2	0.0	0.4	1.5	0.0	-0.5	0.0	-0.6	0.0	-0.2	0.0	-0.3	-0.6
4	C	0.4	0.1	1.1	3.9	0.0	-1.4	0.0	-0.7	0.0	-1.1	0.0	-0.4	-1.3
4	D	0.4	0.1	1.1	3.9	0.7	-2.0	0.0	-0.3	0.7	-1.7	0.0	0.0	-1.3
4	F	0.2	0.0	0.4	1.5	0.0	0.7	0.7	-1.6	0.0	1.0	0.7	-1.3	-0.6

Frm Line	Col Line	Wind Suct Horz	Wind_Long1 Horz	Wind_Long1 Vert	Wind_Long2 Horz	Wind_Long2 Vert	Seis_Left Horz	Seis_Left Vert	Seis_Right Horz	Seis_Right Vert	E2UNB_SL_L Horz	E2UNB_SL_L Vert	E2UNB_SL_R Horz	E2UNB_SL_R Vert
4	A	0.6	0.0	-0.6	0.0	-0.3	0.0	0.0	0.0	0.0	0.0	1.6	0.0	0.4
4	C	1.4	0.0	-1.2	0.0	-0.8	0.0	0.0	0.0	0.0	0.0	5.4	0.0	1.5
4	D	1.4	0.0	-0.3	0.3	-1.7	0.3	-0.6	0.0	0.5	0.0	1.5	0.0	5.4
4	F	0.6	0.3	-0.7	0.0	-0.1	0.0	0.6	0.3	-0.5	0.0	0.4	0.0	1.6

ANCHOR BOLT SUMMARY			
Qty	Locate	Dia (in)	Type
⊕ 32	Endwall	3/4"	
⊕ 16	Frame	3/4"	

BUILDING BRACING REACTIONS							
Reactions in plane of wall ± Reactions(k) Panel_Shear (lb/ft)							
Wall Loc	Col Line	Col Line	Wind Horz	Wind Vert	Seismic Horz	Seismic Vert	Wind Seis
L_EW	1	F,E	Bracing, see EW reactions				
F_SW	A	2,3	1.6 *	0.9 *			
R_EW	4	D,F	Bracing, see EW reactions				
B_SW	F	3,2	1.6 *	0.9 *			

*See RF reactions table for vertical and horizontal reactions in plane of the rigid frame.

ENDWALL COLUMN: ANCHOR BOLTS & BASE PLATES							
Frm Line	Col Line	Anc_Bolt Qty	Anc_Dia	Base_Plate Width	Base_Plate Length	Base_Plate Thick	AFF/BFF (in)
1	F	4	0.750	6.000	7.875	0.375	0.0
1	E	4	0.750	6.000	7.875	0.375	0.0
1	B	4	0.750	6.000	7.875	0.375	0.0
1	A	4	0.750	6.000	7.875	0.375	0.0
4	A	4	0.750	6.000	7.875	0.375	0.0
4	C	4	0.750	6.000	7.875	0.375	0.0
4	D	4	0.750	6.000	7.875	0.375	0.0
4	F	4	0.750	6.000	7.875	0.375	0.0

DESIGN INFORMATION

- All loading conditions are examined and only the maximum / minimum H or V and the corresponding H or V are reported.
- Positive reactions are shown in the sketch. Foundation loads are in opposite directions.
- Bracing reactions are in the plane of the brace with the H pointing away from the braced bay. The vertical reaction is downward.
- Building reactions are based on the following building data:

DESIGN CRITERIA	SEISMIC CRITERIA	DEFLECTION LIMITS
Width (ft) = 30	Seismic Importance = 1.00	ENDWALL COLUMN L/ 120
Length (ft) = 30	Occupancy Category = II - Normal	ENDWALL RAFTER (Live) L/ 180
Eave Height (ft) = 12		ENDWALL RAFTER (Wind) L/ 180
Roof Slope (rise/12) = 4.0:12	Mapped Spectral Response Accelerations	WALL GIRTS L/ 90
Building Code = IBC 15	Ss = 0.2410	PURLIN (LIVE) L/ 180
Local Code (State/Prov) = IBC 15	S1 = 0.0840	PURLIN (WIND) L/ 150
Dead Load (psf) = 2.250	Site Class = D	WALL PANEL L/ 90
Collateral Load (psf) = 1.0000	Seismic Design Category = C	ROOF PANEL (Live) L/ 180
Roof Live Load (psf) = 20.00	-----Base Shear-----	ROOF PANEL (Wind) L/ 120
Frame Live Load (psf) = 20.00	Expanded Formula = 0.667*le*Fa*Ss*W/R	Main Frame (Horiz) H/ 60
	Longitudinal Base Shear (k) = 1.77	Main Frame (Vert) L/ 180
	Transverse Base Shear (k) = 1.80	WIND BRACING H/ 60
Snow:	---Seismic Response Coefficients---	Main Frame (Crane) H/ 100
Ground Snow Load (psf) = 100.0000	Frame = 0.086	Main Frame (Seismic) H/ 50
Snow Importance = 1.00	FSW = 0.086	SEISMIC BRACING H/ 50
Thermal Coefficient = 1.00	BSW = 0.086	PARTITION COLUMN L/ 120
Snow Exposure Factor = 1.0000	---Response Modification Factors---	PARTITION GIRT L/ 120
Slippery Roof = N	Frame = 3	PARTITION PANEL L/ 120
Roof Snow Load, Pf (psf) = 70	FSW = 3	
	BSW = 3	
Wind:		
Ultimate Wind Speed (mph) = 115 mph		
Occupancy Category = II - Normal		
Importance - Wind = 1.00		
Wind Exposure = B		
Enclosure Classification = C		
---Internal Pressure Coefficients---		
Pressure = 0.18		
Suction = -0.18		
----Components & Cladding----		
Design Pressure:		
Pressure (psf) = 23.77		
Suction (psf) = -31.77		

Equivalent Lateral Brace Force Procedure.

Steel systems not specifically detailed for seismic resistance.

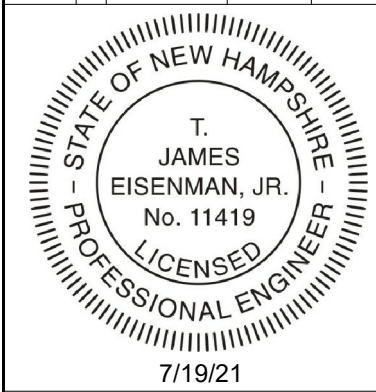


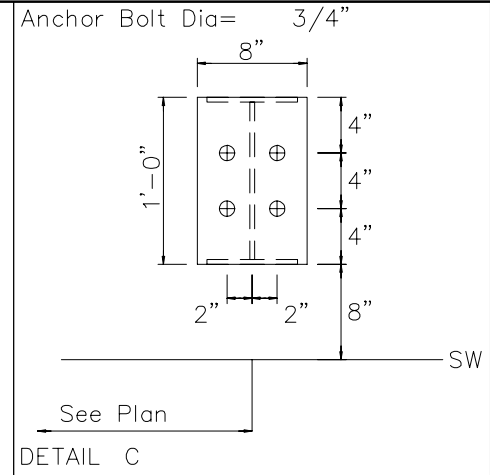
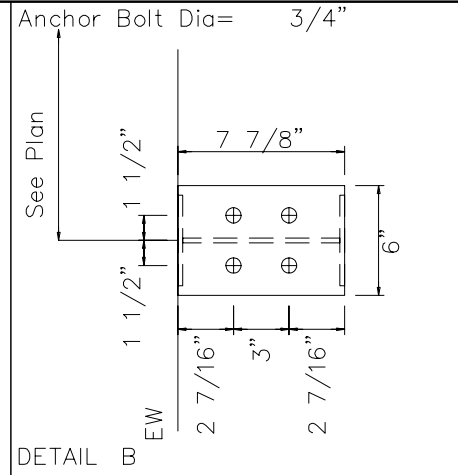
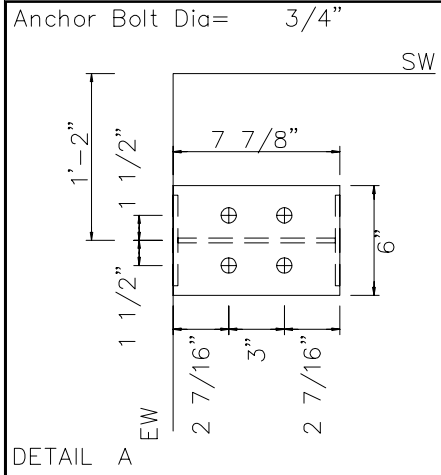
MARCUS HAMPERS
30'-0" x 30'-0" x 12'-0"
DATE: 7/12/21 REVISION: 0
ENG: MCK DWN: BJC APPD: MCK

F.O. 25196

REVISION HISTORY	
REV.	DESCRIPTION

DRAWING STATUS	
<input type="checkbox"/>	FOR APPROVAL: THESE DRAWINGS, BEING FOR APPROVAL, ARE BY DEFINITION NOT FINAL, AND ARE FOR CONCEPTUAL REPRESENTATION ONLY. THEIR PURPOSE IS TO CONFIRM PROPER INTERPRETATION OF THE PROJECT DOCUMENTS. ONLY DRAWINGS ISSUED "FOR CONSTRUCTION" CAN BE CONSIDERED AS COMPLETE.
<input type="checkbox"/>	FOR PERMIT: THESE DRAWINGS, BEING FOR PERMIT, ARE BY DEFINITION NOT FINAL. ONLY DRAWINGS ISSUED "FOR CONSTRUCTION" CAN BE CONSIDERED AS COMPLETE.
<input checked="" type="checkbox"/>	FOR CONSTRUCTION: THESE DRAWINGS, BEING FOR CONSTRUCTION, ARE BY DEFINITION FINAL DRAWINGS.





DRAWING IS NOT TO SCALE

MARCUS HAMPERS

F.O. 25196



MARCUS HAMPERS
 30'-0" x 30'-0" x 12'-0"
 DATE: 7/12/21 REVISION: 0
 ENG: MCK DWN: BJC APPD: MCK

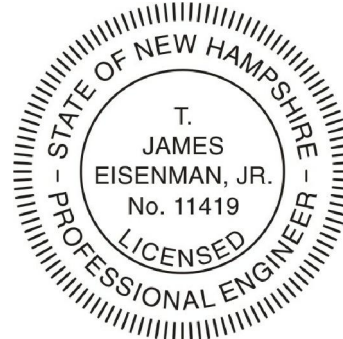
REVISION HISTORY	
REV.	DESCRIPTION

DRAWING STATUS

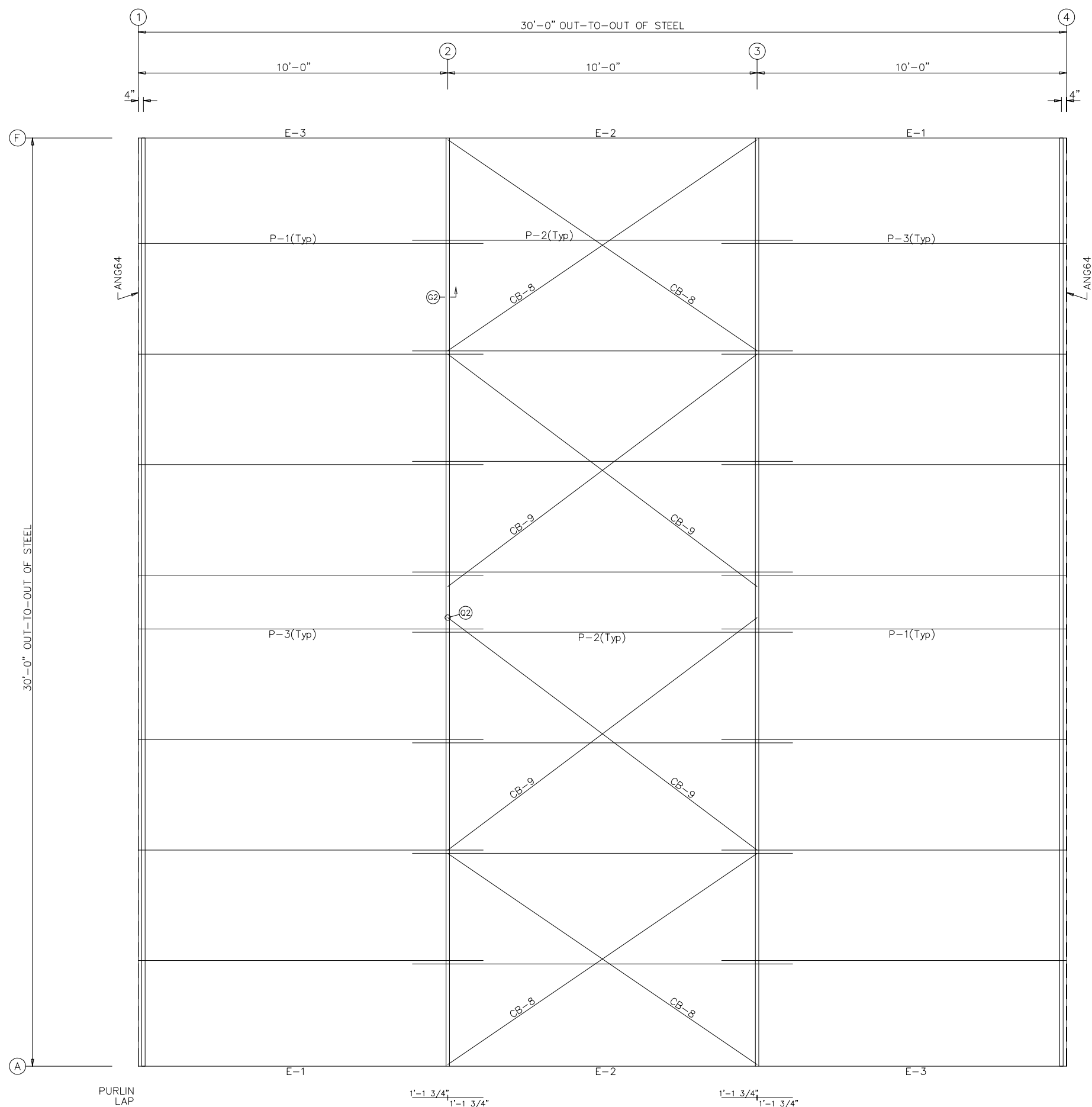
FOR APPROVAL: THESE DRAWINGS, BEING FOR APPROVAL, ARE BY DEFINITION NOT FINAL, AND ARE FOR CONCEPTUAL REPRESENTATION ONLY. THEIR PURPOSE IS TO CONFIRM PROPER INTERPRETATION OF THE PROJECT DOCUMENTS. ONLY DRAWINGS ISSUED "FOR CONSTRUCTION" CAN BE CONSIDERED AS COMPLETE.

FOR PERMIT: THESE DRAWINGS, BEING FOR PERMIT, ARE BY DEFINITION NOT FINAL. ONLY DRAWINGS ISSUED "FOR CONSTRUCTION" CAN BE CONSIDERED AS COMPLETE.

FOR CONSTRUCTION: FINAL DRAWINGS.



7/19/21



MEMBER TABLE			
ROOF PLAN			
QUAN	MARK	PART	LENGTH
8	P-1	08X25Z16	11'-1 1/2"
8	P-2	08X25Z16	12'-3 1/2"
8	P-3	08X25Z16	11'-1 1/2"
2	E-1	08X35E14	9'-11 1/2"
2	E-2	08X35E14	9'-11 1/2"
2	E-3	08X35E14	9'-11 1/2"
4	CB-8	CABLE250	9'-10 3/16"
4	CB-9	CABLE250	10'-7 1/2"



MARCUS HAMPERS

30'-0" x 30'-0" x 12'-0"

DATE: 7/12/21 REVISION: 0

ENG: MCK DWN: BJC APPD: MCK

F.O. 25196

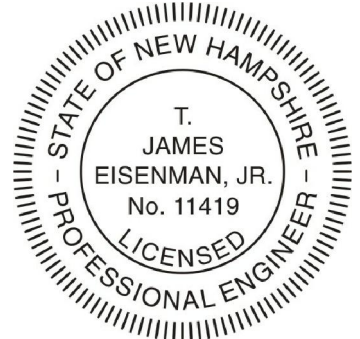
MARCUS HAMPERS

REVISION HISTORY

REV.	DESCRIPTION	DATE

DRAWING STATUS

FOR APPROVAL: THESE DRAWINGS, BEING FOR APPROVAL, ARE BY DEFINITION NOT FINAL, AND ARE FOR CONCEPTUAL REPRESENTATION ONLY. THEIR PURPOSE IS TO CONFIRM PROPER INTERPRETATION OF THE PROJECT DOCUMENTS. ONLY DRAWINGS ISSUED "FOR CONSTRUCTION" CAN BE CONSIDERED AS COMPLETE.
 FOR PERMIT: THESE DRAWINGS, BEING FOR PERMIT, ARE BY DEFINITION NOT FINAL. ONLY DRAWINGS ISSUED "FOR CONSTRUCTION" CAN BE CONSIDERED AS COMPLETE.
 FOR CONSTRUCTION: FINAL DRAWINGS.



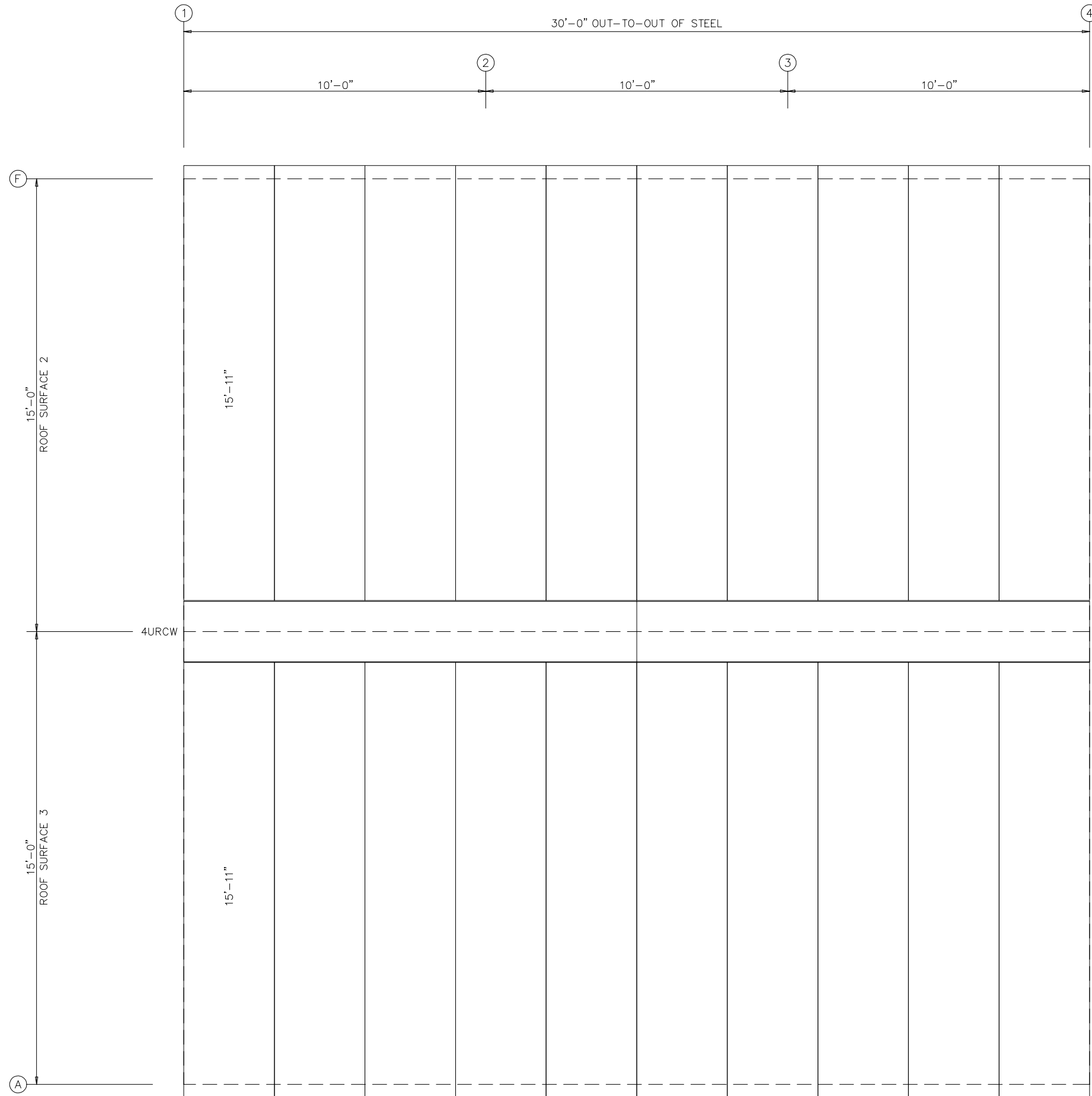
7/19/21

GENERAL NOTES:

- Screw Down Roof: Use TEK5WW screws in place of SD150 panel screws at all 10 gage purlins, eave struts, or roof joists.
- Standing Seam Roof: Use FST#6 in place of FST#1 clip to purlin screws at all 10 gage purlins, eave struts, or at roof joists.

ROOF FRAMING PLAN

DRAWING IS NOT TO SCALE



GENERAL NOTES:
 Panel "Start" and "End" dimensions must be followed for the proper installation of the gable trim(s) provided.

ROOF SHEETING PLAN
 PANELS: 26 Ga. R - Galvalume

DRAWING IS NOT TO SCALE



MARCUS HAMPERS

30'-0" x 30'-0" x 12'-0"

DATE: 7/12/21 REVISION: 0

ENG: MCK DWN: BJC APPD: MCK

F.O. 25196

MARCUS HAMPERS

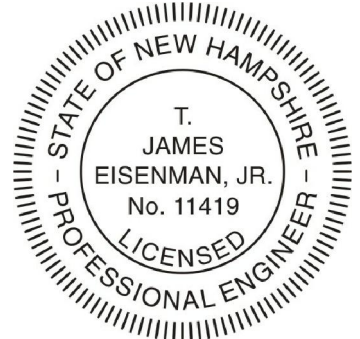
REV.	DESCRIPTION	DATE

DRAWING STATUS

FOR APPROVAL: THESE DRAWINGS, BEING FOR APPROVAL, ARE BY DEFINITION NOT FINAL, AND ARE FOR CONCEPTUAL REPRESENTATION ONLY. THEIR PURPOSE IS TO CONFIRM PROPER INTERPRETATION OF THE PROJECT DOCUMENTS. ONLY DRAWINGS ISSUED "FOR CONSTRUCTION" CAN BE CONSIDERED AS COMPLETE.

FOR PERMIT: THESE DRAWINGS, BEING FOR PERMIT, ARE BY DEFINITION NOT FINAL. ONLY DRAWINGS ISSUED "FOR CONSTRUCTION" CAN BE CONSIDERED AS COMPLETE.

FOR CONSTRUCTION: FINAL DRAWINGS.

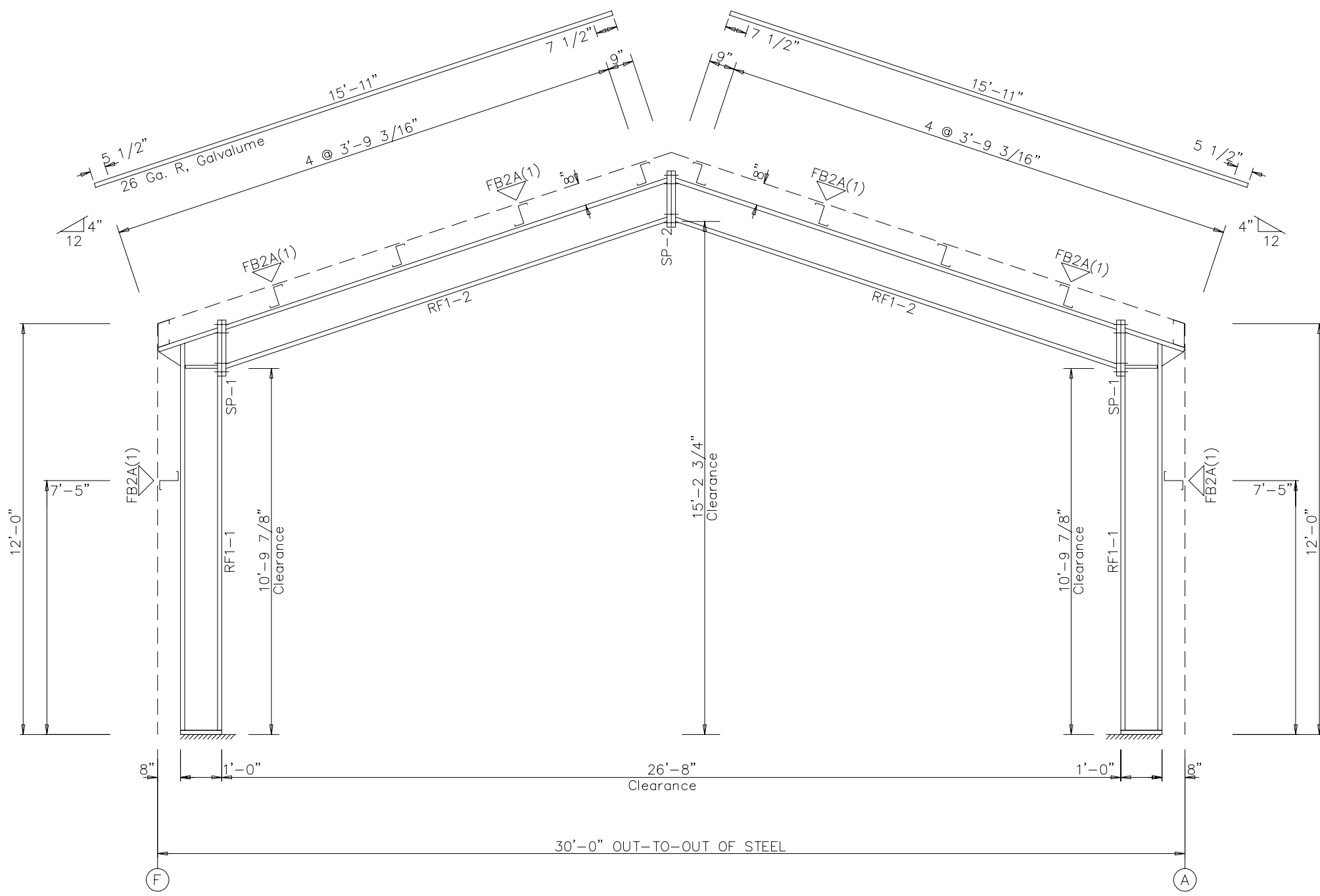


7/19/21

SPLICE BOLT TABLE						
Mark	Qty		Int	Type	Dia	Length
	Top	Bot				
SP-1	4	4	0	A325	0.500	2.25
SP-2	4	4	0	A325	0.500	1.50

MEMBER SIZE TABLE		
MARK	MEMBER	LENGTH
RF1-1	W12X16	11'-6 1/4"
RF1-2	W12X16	14'-0 1/8"

▽ FLANGE BRACES: Both Sides(U.N.)
 FBxxA(1)
 A - L15X1/8



RIGID FRAME ELEVATION: FRAME LINE 2 3

GENERAL NOTES:
 1. See Detail Sheets for Connection Information.
 2. See Shipping List for Flange Brace Lengths.

DRAWING IS NOT TO SCALE



MARCUS HAMPERS
 30'-0" x 30'-0" x 12'-0"
 DATE: 7/12/21 REVISION: 0
 ENG: MCK DWN: BJC APPD: MCK

F.O. 25196

REVISION HISTORY

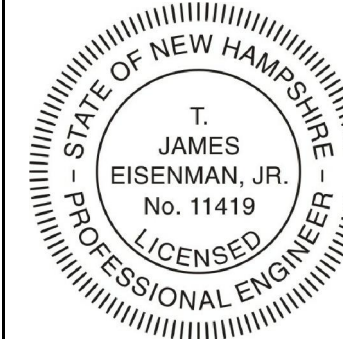
REV.	DESCRIPTION	DATE

DRAWING STATUS

FOR APPROVAL: THESE DRAWINGS, BEING FOR APPROVAL, ARE BY DEFINITION NOT FINAL, AND ARE FOR CONCEPTUAL REPRESENTATION ONLY. THEIR PURPOSE IS TO CONFIRM PROPER INTERPRETATION OF THE PROJECT DOCUMENTS. ONLY DRAWINGS ISSUED "FOR CONSTRUCTION" CAN BE CONSIDERED AS COMPLETE.

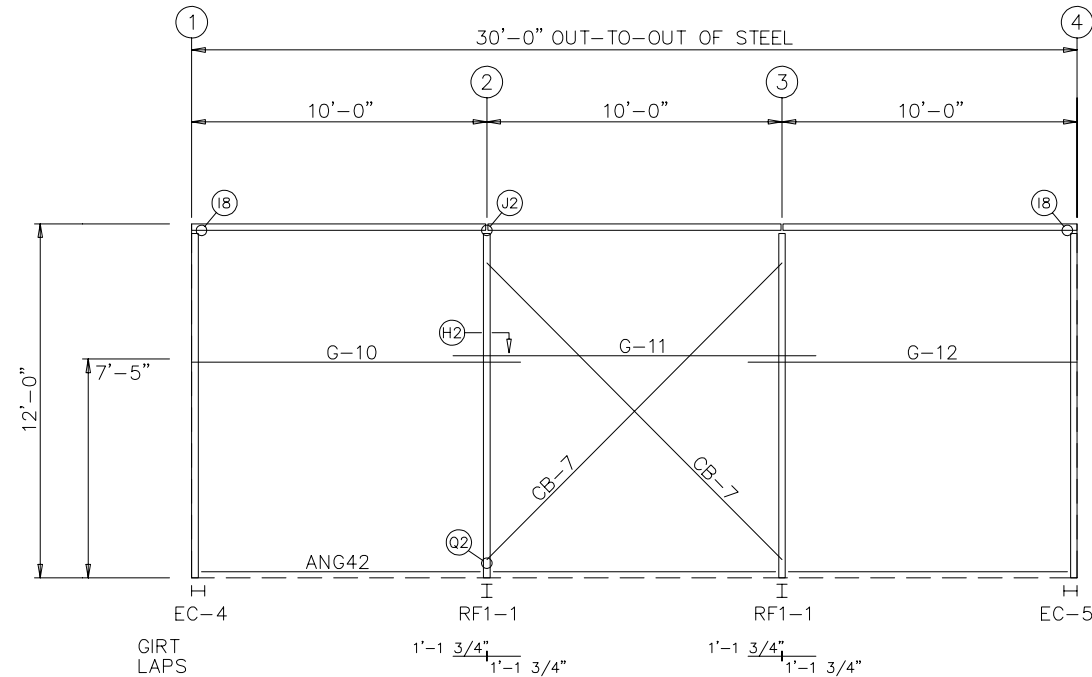
FOR PERMIT: THESE DRAWINGS, BEING FOR PERMIT, ARE BY DEFINITION NOT FINAL. ONLY DRAWINGS ISSUED "FOR CONSTRUCTION" CAN BE CONSIDERED AS COMPLETE.

FOR CONSTRUCTION: FINAL DRAWINGS.

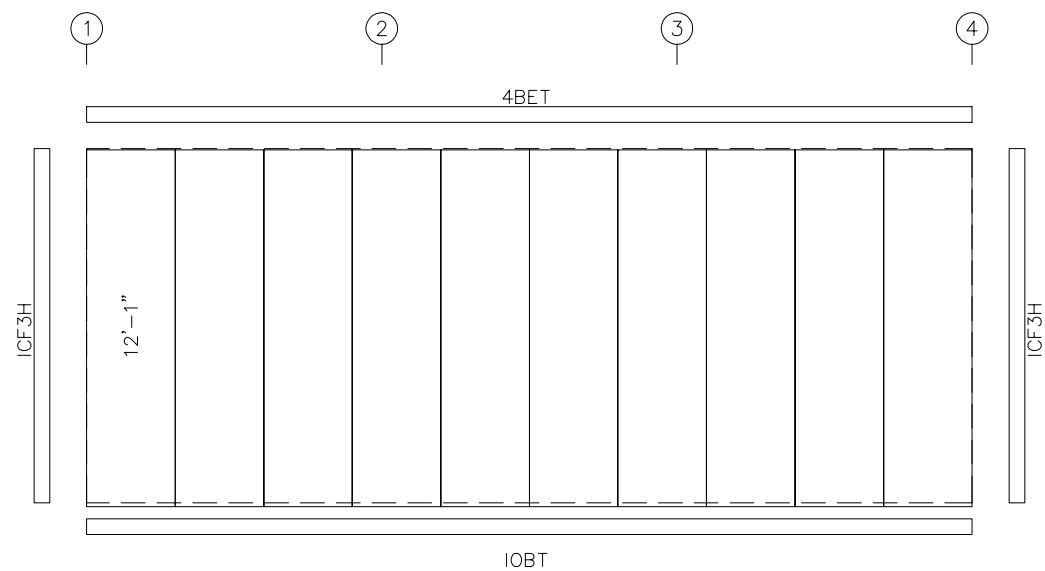


7/19/21

MEMBER TABLE			
FRAME LINE A			
QUAN	MARK	PART	LENGTH
1	G-10	08X25Z16	11'-1 1/2"
1	G-11	08X25Z16	12'-3 1/2"
1	G-12	08X25Z16	11'-1 1/2"
2	CB-7	CABLE250	12'-3 5/8"



SIDEWALL FRAMING: FRAME LINE A



SIDEWALL SHEETING & TRIM: FRAME LINE A
PANELS: 26 Ga. R - Ash Grey

GENERAL NOTES:

1. Use TEK5WW screws in place of SD150 panel screws at all 10 gage members.
2. All connections to door or window jambs where the clip is not designated in the clip table / drawing are made with JC# clips (#= Girt Depth).

DRAWING IS NOT TO SCALE

TRIM COLORS			
EAVE TRIM	= Buckskin Tan	CORNER TRIM	= Buckskin Tan
BASE TRIM	= Ash Grey	GUTTER	=
DOOR TRIM	= Buckskin Tan	DOWNSPOUTS	=
RAKE TRIM	= Buckskin Tan		
* LINER TRIM	= Liner panel color		
* SOFFIT TRIM	= Soffit panel color		
* ONLY APPLICABLE IF LINER TRIM OR SOFFIT PANEL IS INDICATED ON BUILDING ORDER.			



MARCUS HAMPERS
30'-0" x 30'-0" x 12'-0"

DATE: 7/12/21 REVISION: 0
ENG: MCK DWN: BJC APPD: MCK

F.O. 25196

MARCUS HAMPERS

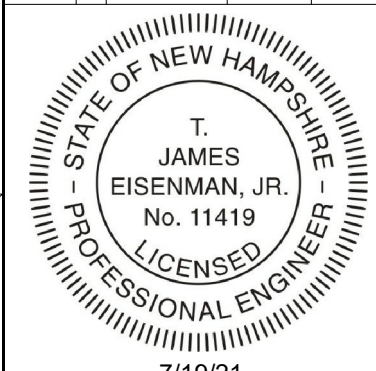
REVISION HISTORY	
REV.	DESCRIPTION

DRAWING STATUS

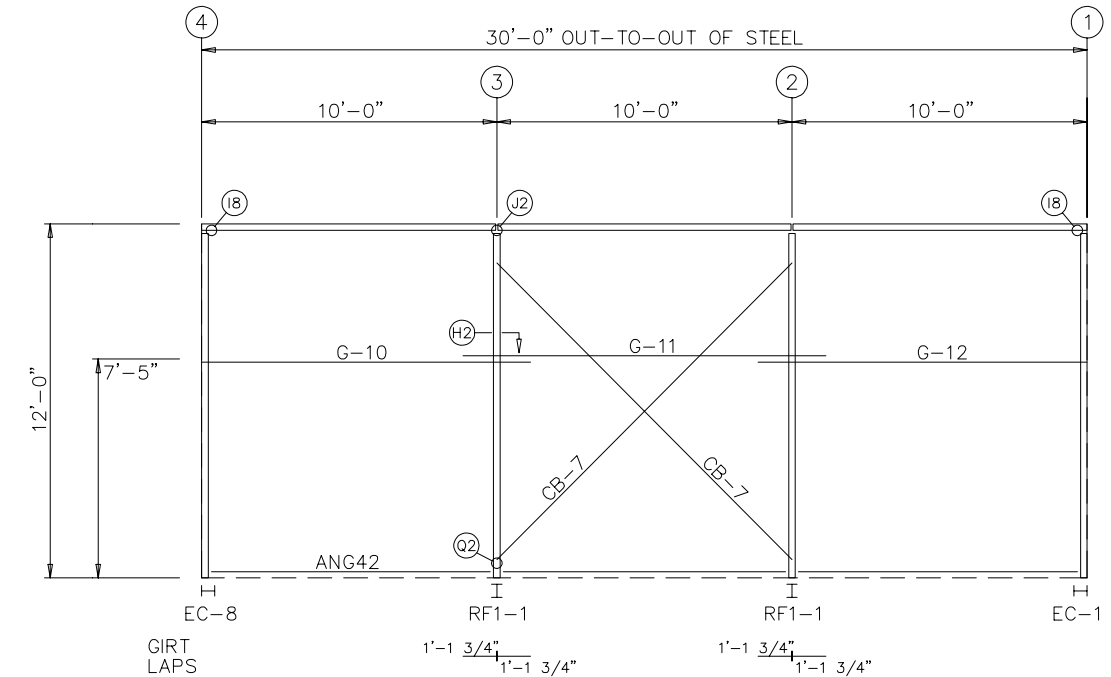
FOR APPROVAL: THESE DRAWINGS, BEING FOR APPROVAL, ARE BY DEFINITION NOT FINAL, AND ARE FOR CONCEPTUAL REPRESENTATION ONLY. THEIR PURPOSE IS TO CONFIRM PROPER INTERPRETATION OF THE PROJECT DOCUMENTS. ONLY DRAWINGS ISSUED "FOR CONSTRUCTION" CAN BE CONSIDERED AS COMPLETE.

FOR PERMIT: THESE DRAWINGS, BEING FOR PERMIT, ARE BY DEFINITION NOT FINAL. ONLY DRAWINGS ISSUED "FOR CONSTRUCTION" CAN BE CONSIDERED AS COMPLETE.

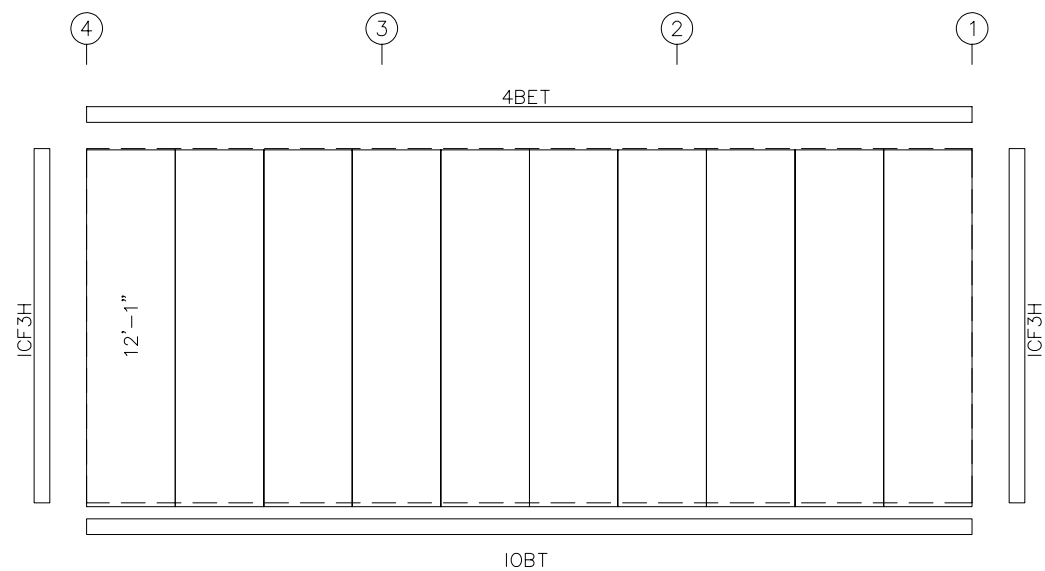
FOR CONSTRUCTION: FINAL DRAWINGS.



MEMBER TABLE			
FRAME LINE F			
QUAN	MARK	PART	LENGTH
1	G-10	08X25Z16	11'-1 1/2"
1	G-11	08X25Z16	12'-3 1/2"
1	G-12	08X25Z16	11'-1 1/2"
2	CB-7	CABLE250	12'-3 5/8"



SIDEWALL FRAMING: FRAME LINE F



SIDEWALL SHEETING & TRIM: FRAME LINE F
PANELS: 26 Ga. R - Ash Grey

GENERAL NOTES:

1. Use TEK5WW screws in place of SD150 panel screws at all 10 gage members.
2. All connections to door or window jambs where the clip is not designated in the clip table / drawing are made with JC# clips (#= Girt Depth).

DRAWING IS NOT TO SCALE

TRIM COLORS			
EAVE TRIM	= Buckskin Tan	CORNER TRIM	= Buckskin Tan
BASE TRIM	= Ash Grey	GUTTER	=
DOOR TRIM	= Buckskin Tan	DOWNSPOUTS	=
RAKE TRIM	= Buckskin Tan		
* LINER TRIM	= Liner panel color		
* SOFFIT TRIM	= Soffit panel color		
* ONLY APPLICABLE IF LINER TRIM OR SOFFIT PANEL IS INDICATED ON BUILDING ORDER.			



MARCUS HAMPERS

30'-0" x 30'-0" x 12'-0"

DATE: 7/12/21 REVISION: 0

ENG: MCK DWN: BJC APPD: MCK

F.O. 25196

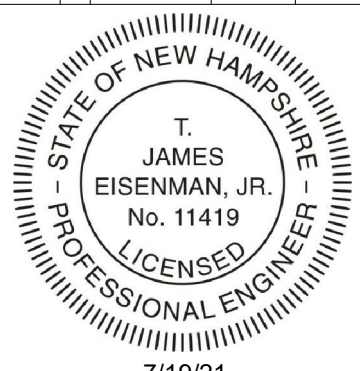
MARCUS HAMPERS

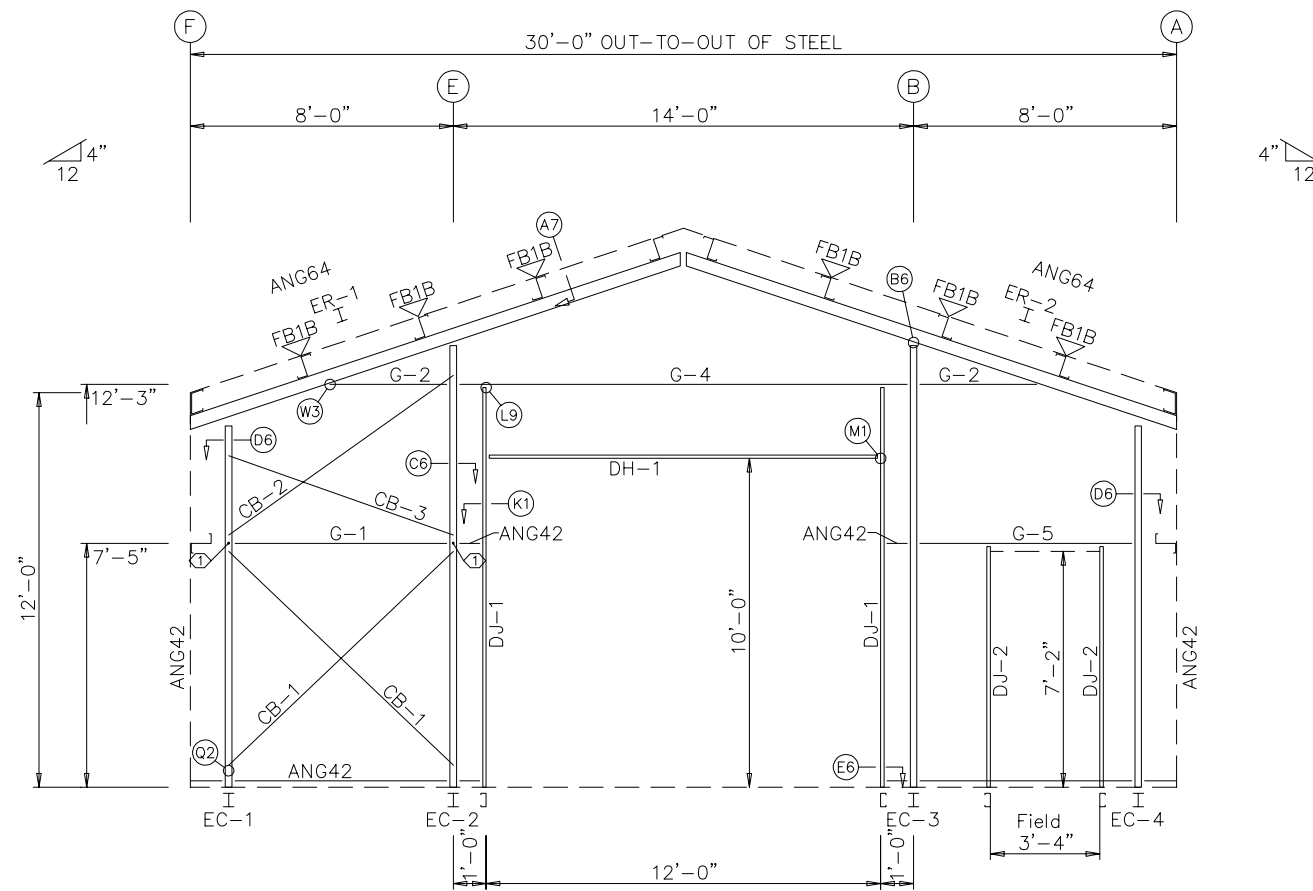
REVISION HISTORY

REV.	DESCRIPTION	DATE

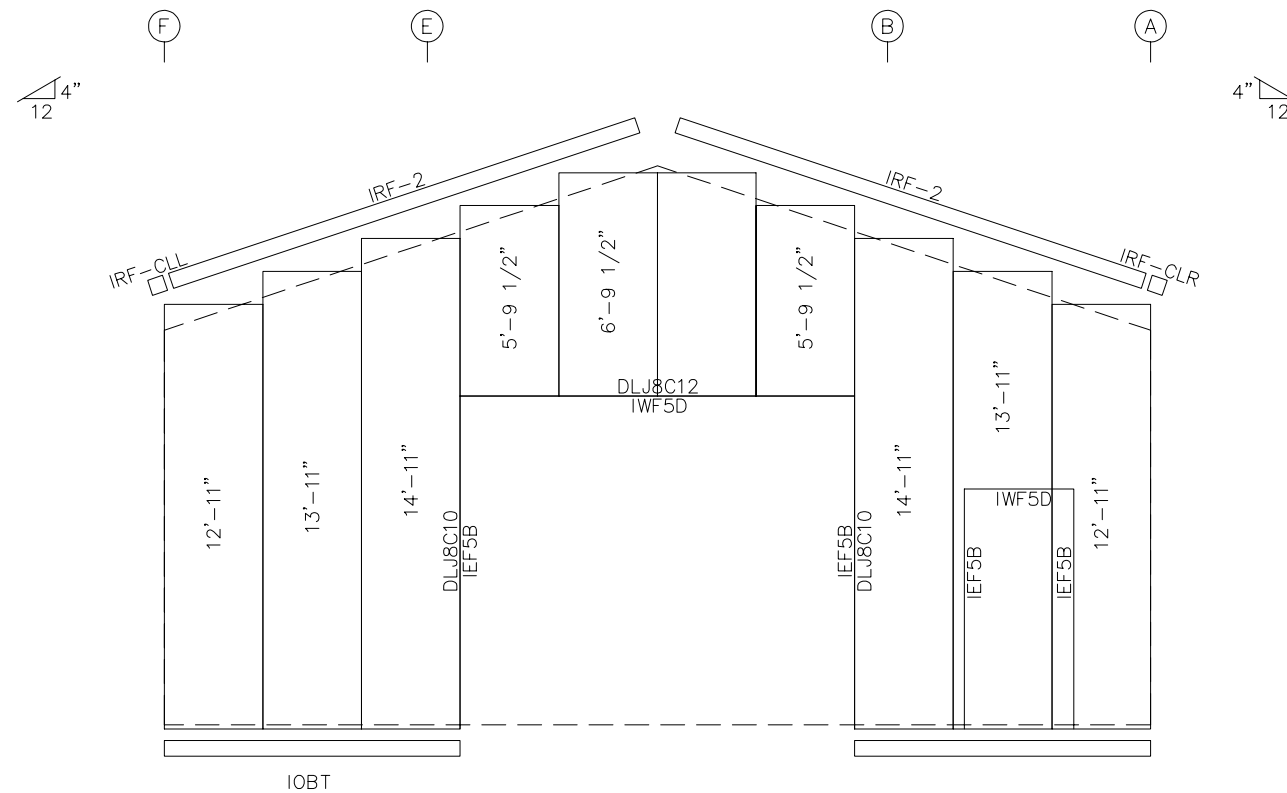
DRAWING STATUS

- FOR APPROVAL: THESE DRAWINGS, BEING FOR APPROVAL, ARE BY DEFINITION NOT FINAL, AND ARE FOR CONCEPTUAL REPRESENTATION ONLY. THEIR PURPOSE IS TO CONFIRM PROPER INTERPRETATION OF THE PROJECT DOCUMENTS. ONLY DRAWINGS ISSUED "FOR CONSTRUCTION" CAN BE CONSIDERED AS COMPLETE.
- FOR PERMIT: THESE DRAWINGS, BEING FOR PERMIT, ARE BY DEFINITION NOT FINAL. ONLY DRAWINGS ISSUED "FOR CONSTRUCTION" CAN BE CONSIDERED AS COMPLETE.
- FOR CONSTRUCTION: FINAL DRAWINGS.





ENDWALL FRAMING: FRAME LINE 1



ENDWALL SHEETING & TRIM: FRAME LINE 1

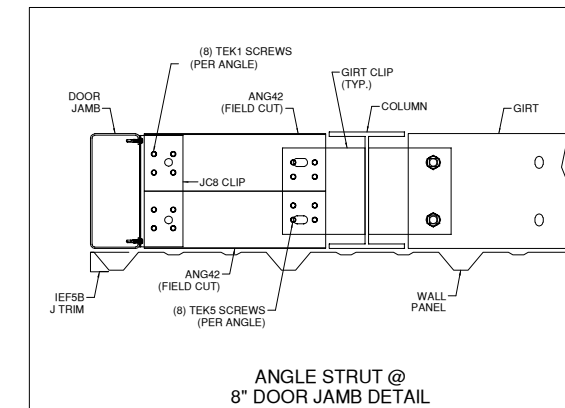
PANELS: 26 Ga. R - Ash Grey

BOLT TABLE				
FRAME LINE 1				
LOCATION	QUAN	TYPE	DIA	LENGTH
ER-1/ER-2	8	A325	1/2"	1 1/2"
Columns/Raf	2	A325	3/4"	1 3/4"

MEMBER TABLE			
FRAME LINE 1			
QUAN	MARK	PART	LENGTH
1	EC-1	W8X10	10'-11 3/16"
1	EC-2	W8X10	13'-2 1/2"
1	EC-3	W8X10	13'-2 1/2"
1	EC-4	W8X10	10'-11 3/16"
1	ER-1	W8X10	15'-9 3/4"
1	ER-2	W8X10	15'-9 3/4"
2	DJ-1	08X35C16	12'-2 3/4"
2	DJ-2	08X35C16	7'-4 3/4"
1	DH-1	08X35C16	12'-0"
1	G-1	08X25Z13	6'-5 5/16"
2	G-2	08X25Z16	2'-4 1/4"
1	G-4	08X25Z16	13'-7 5/16"
1	G-5	08X25Z16	6'-5 5/16"
2	CB-1	CABLE250	7'-4 11/16"
1	CB-2	CABLE250	6'-1 1/4"
1	CB-3	CABLE250	5'-4 7/8"

SPECIAL BOLTS					
FRAME LINE 1					
ID	QUAN	TYPE	DIA	LENGTH	WASH
1	2	A325	1/2"	1 1/4"	0

FLANGE BRACE TABLE		
FRAME LINE 1		
ID	MARK	LENGTH
1	FB1B	1'-2 3/8"



NOTE(S):
1.) FIELD DRILL GIRTS TO ALLOW CABLES TO PASS.

DRAWING IS NOT TO SCALE

TRIM COLORS			
EAVE TRIM	= Buckskin Tan	CORNER TRIM	= Buckskin Tan
BASE TRIM	= Ash Grey	GUTTER	=
DOOR TRIM	= Buckskin Tan	DOWNSPOUTS	=
RAKE TRIM	= Buckskin Tan		
* LINER TRIM	= Liner panel color		
* SOFFIT TRIM	= Soffit panel color		
* ONLY APPLICABLE IF LINER TRIM OR SOFFIT PANEL IS INDICATED ON BUILDING ORDER.			



MARCUS HAMPERS

30'-0" x 30'-0" x 12'-0"

DATE: 7/12/21 REVISION: 0

ENG: MCK DWN: BJC APPD: MCK

F.O. 25196

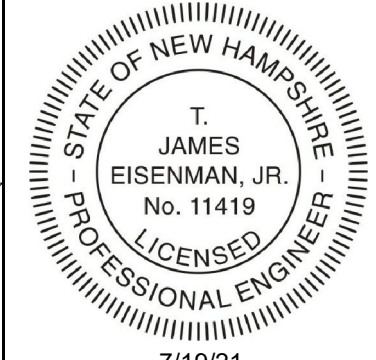
REVISION HISTORY

DRAWING STATUS

FOR APPROVAL: THESE DRAWINGS, BEING FOR APPROVAL, ARE BY DEFINITION NOT FINAL, AND ARE FOR CONCEPTUAL REPRESENTATION ONLY. THEIR PURPOSE IS TO CONFIRM PROPER INTERPRETATION OF THE PROJECT DOCUMENTS. ONLY DRAWINGS ISSUED "FOR CONSTRUCTION" CAN BE CONSIDERED AS COMPLETE.

FOR PERMIT: THESE DRAWINGS, BEING FOR PERMIT, ARE BY DEFINITION NOT FINAL. ONLY DRAWINGS ISSUED "FOR CONSTRUCTION" CAN BE CONSIDERED AS COMPLETE.

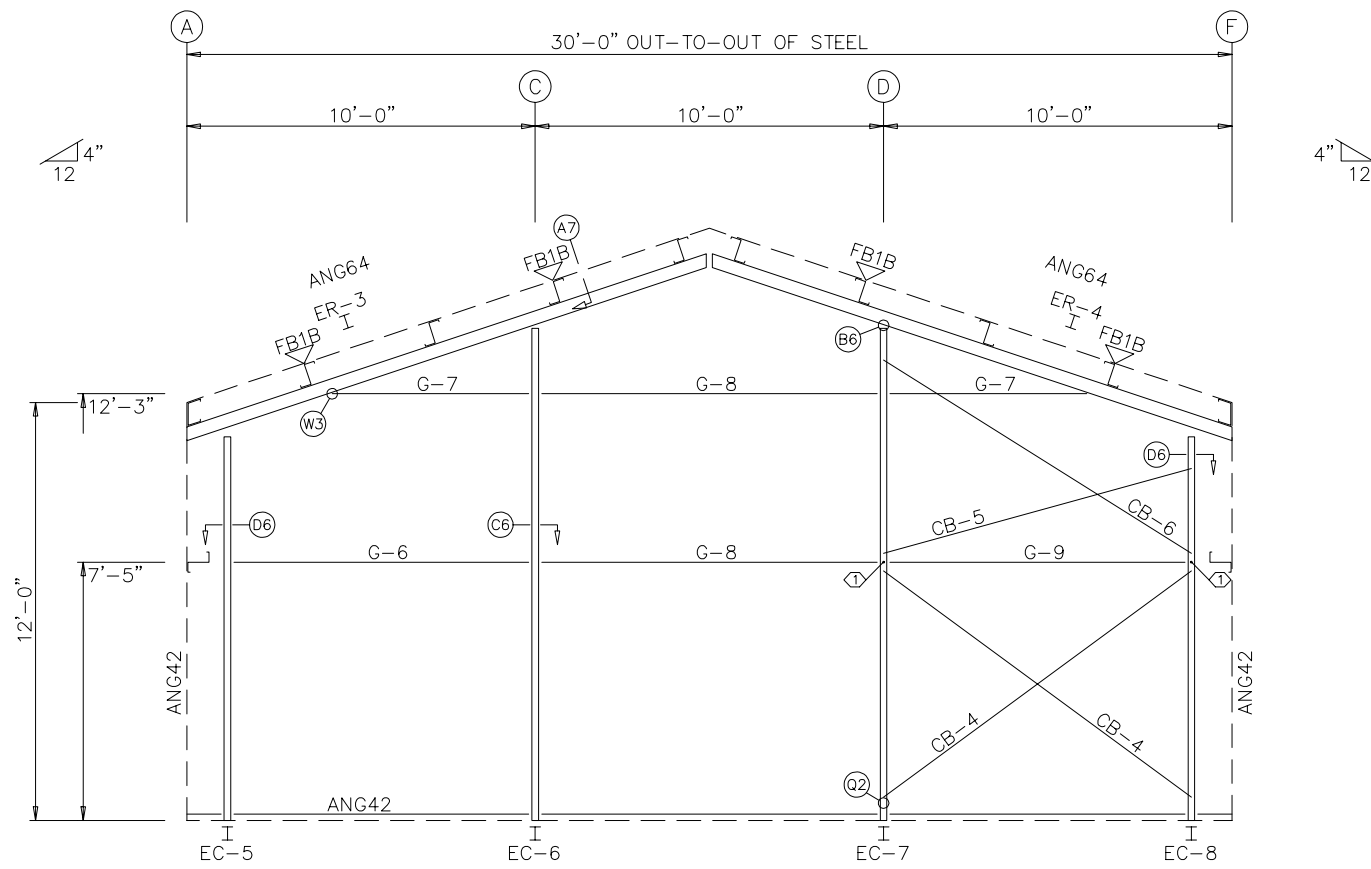
FOR CONSTRUCTION: FINAL DRAWINGS.



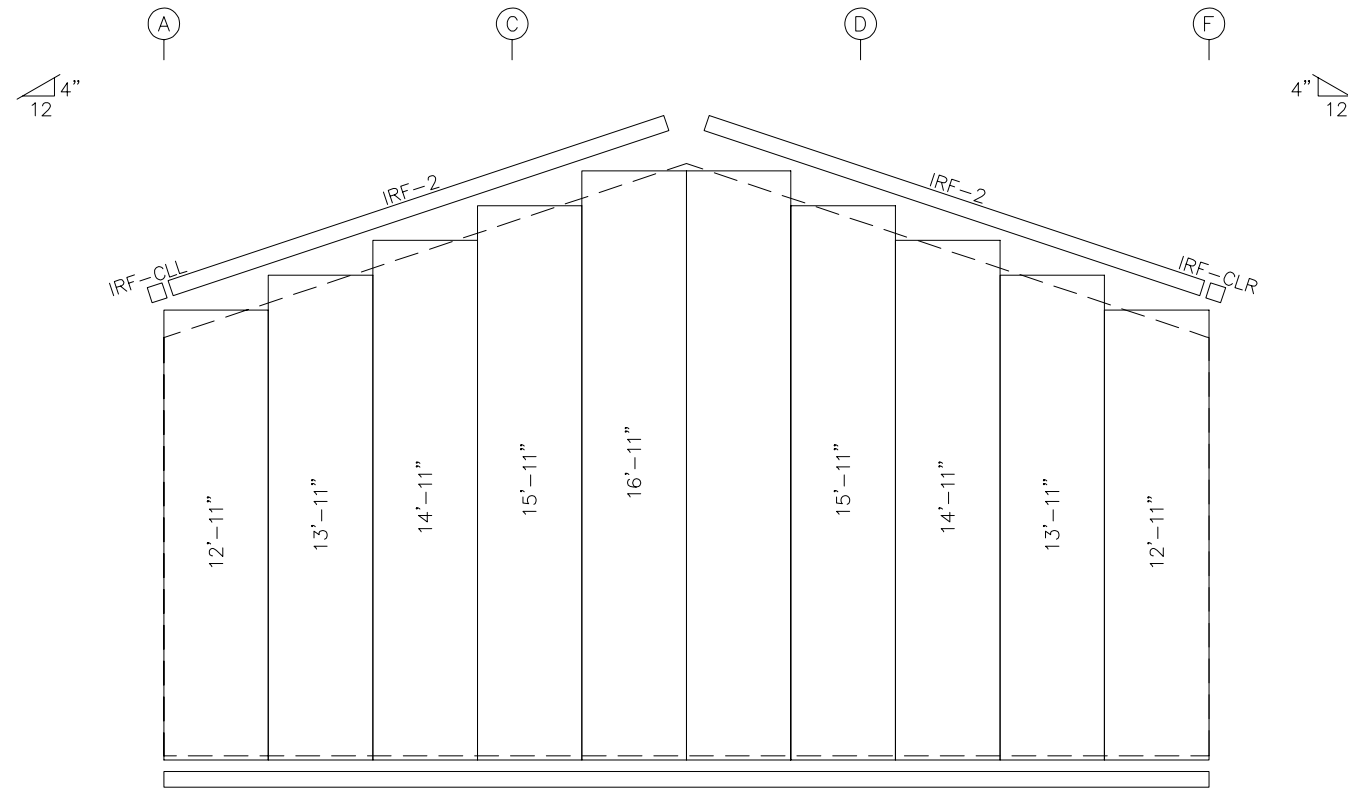
7/19/21

GENERAL NOTES:

1. Use TEK5WW screws in place of SD150 panel screws at all 10 gage members.
2. See detail C7A for field coping of coldform endwall column flange braces.
3. All connections to door or window jambs where the clip is not designated in the clip table / drawing are made with JC# clips (#= Girt Depth).



ENDWALL FRAMING: FRAME LINE 4



ENDWALL SHEETING & TRIM: FRAME LINE 4

PANELS: 26 Ga. R - Ash Grey

BOLT TABLE				
FRAME LINE 4				
LOCATION	QUAN	TYPE	DIA	LENGTH
ER-3/ER-4	8	A325	1/2"	1 1/2"
Columns/Raf	2	A325	3/4"	1 3/4"

MEMBER TABLE			
FRAME LINE 4			
QUAN	MARK	PART	LENGTH
1	EC-5	W8X10	10'-11 3/16"
1	EC-6	W8X10	13'-10 1/2"
1	EC-7	W8X10	13'-10 1/2"
1	EC-8	W8X10	10'-11 3/16"
1	ER-3	W8X10	15'-9 3/4"
1	ER-4	W8X10	15'-9 3/4"
1	G-6	08X25Z16	8'-5 5/16"
2	G-7	08X25Z16	4'-4 1/4"
2	G-8	08X25Z16	9'-7 5/16"
1	G-9	08X25Z13	8'-5 5/16"
2	CB-4	CABLE250	8'-11 5/8"
1	CB-5	CABLE250	7'-4 1/16"
1	CB-6	CABLE250	8'-5 3/16"

SPECIAL BOLTS					
FRAME LINE 4					
ID	QUAN	TYPE	DIA	LENGTH	WASH
1	2	A325	1/2"	1 1/4"	0

FLANGE BRACE TABLE		
FRAME LINE 4		
ID	MARK	LENGTH
1	FB1B	1'-2 3/8"

NOTE(S):
1.) FIELD DRILL GIRTS TO ALLOW CABLES TO PASS.

DRAWING IS NOT TO SCALE

TRIM COLORS			
EAVE TRIM	= Buckskin Tan	CORNER TRIM	= Buckskin Tan
BASE TRIM	= Ash Grey	GUTTER	=
DOOR TRIM	= Buckskin Tan	DOWNSPOUTS	=
RAKE TRIM	= Buckskin Tan		
* LINER TRIM	= Liner panel color		
* SOFFIT TRIM	= Soffit panel color		
* ONLY APPLICABLE IF LINER TRIM OR SOFFIT PANEL IS INDICATED ON BUILDING ORDER.			

GENERAL NOTES:
1. Use TEK5WW screws in place of SD150 panel screws at all 10 gage members.
2. See detail C7A for field coping of coldform endwall column flange braces.
3. All connections to door or window jambs where the clip is not designated in the clip table / drawing are made with JC# clips (#= Girt Depth).



Olympia Steel Buildings
400 Island Avenue • McKees Rocks, PA 15136
888-449-7756

MARCUS HAMPERS

30'-0" x 30'-0" x 12'-0"

DATE: 7/12/21 REVISION: 0

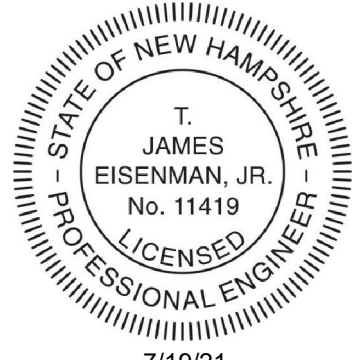
ENG: MCK DWN: BJC APPD: MCK

F.O. 25196

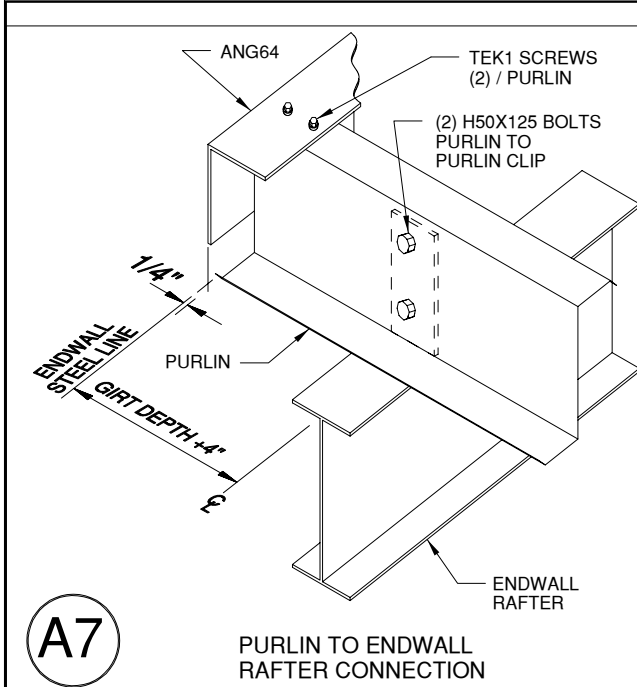
MARCUS HAMPERS

REVISION HISTORY	
REV.	DESCRIPTION

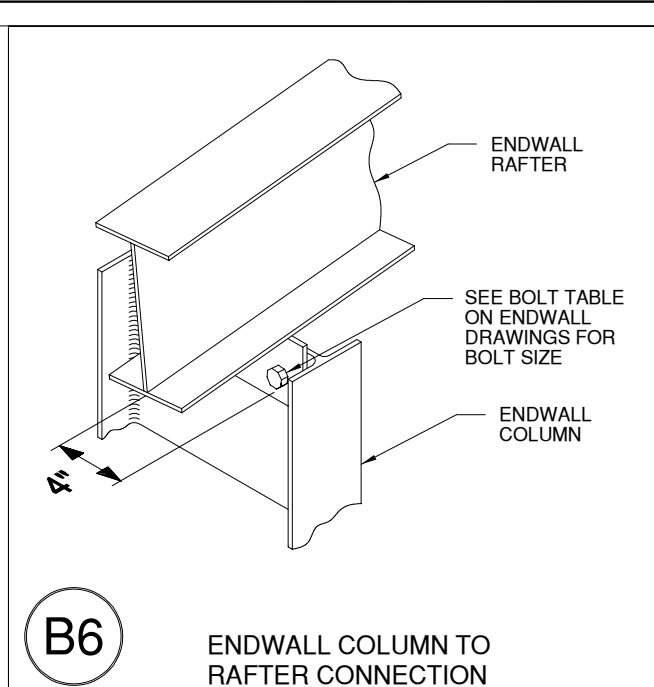
DRAWING STATUS
 FOR APPROVAL: THESE DRAWINGS, BEING FOR APPROVAL, ARE BY DEFINITION NOT FINAL, AND ARE FOR CONCEPTUAL REPRESENTATION ONLY. THEIR PURPOSE IS TO CONFIRM PROPER INTERPRETATION OF THE PROJECT DOCUMENTS. ONLY DRAWINGS ISSUED "FOR CONSTRUCTION" CAN BE CONSIDERED AS COMPLETE.
 FOR PERMIT: THESE DRAWINGS, BEING FOR PERMIT, ARE BY DEFINITION NOT FINAL. ONLY DRAWINGS ISSUED "FOR CONSTRUCTION" CAN BE CONSIDERED AS COMPLETE.
 FOR CONSTRUCTION: FINAL DRAWINGS.



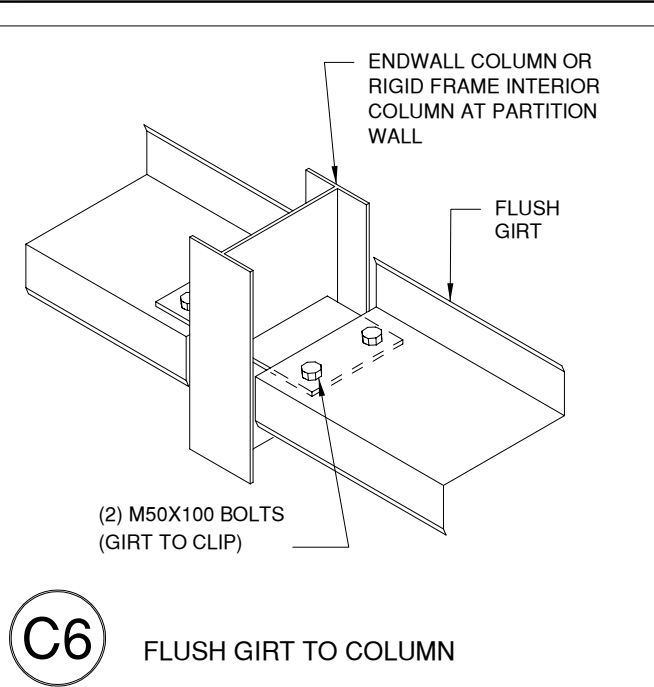
7/19/21



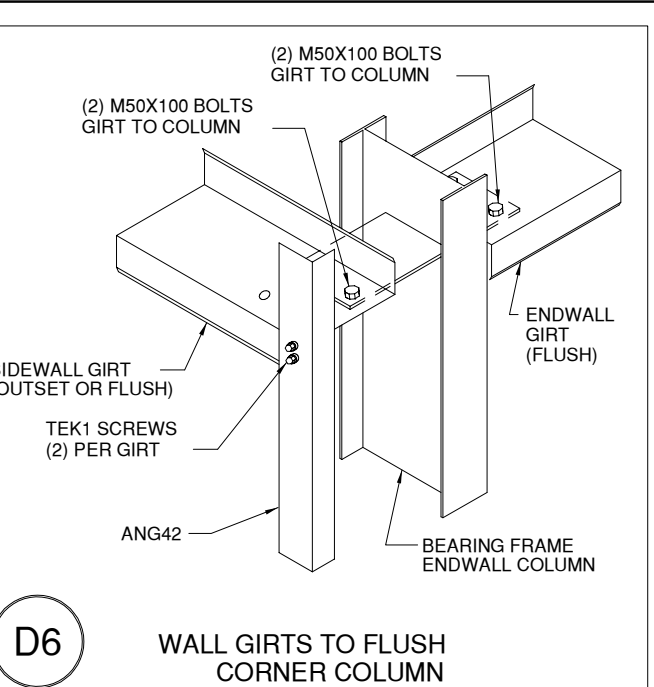
A7 PURLIN TO ENDWALL RAFTER CONNECTION



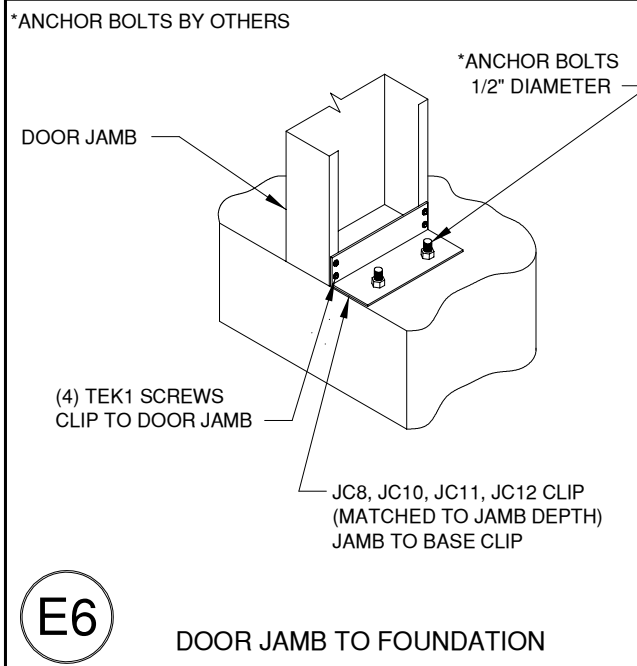
B6 ENDWALL COLUMN TO RAFTER CONNECTION



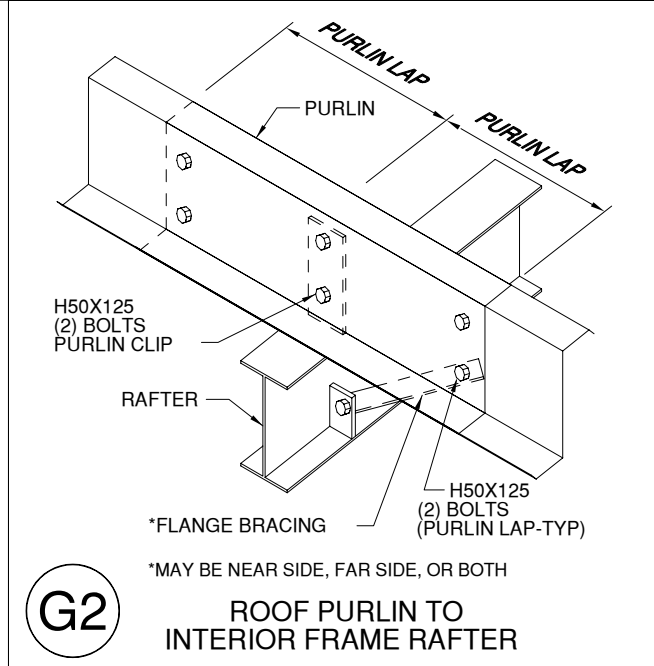
C6 FLUSH GIRTS TO COLUMN



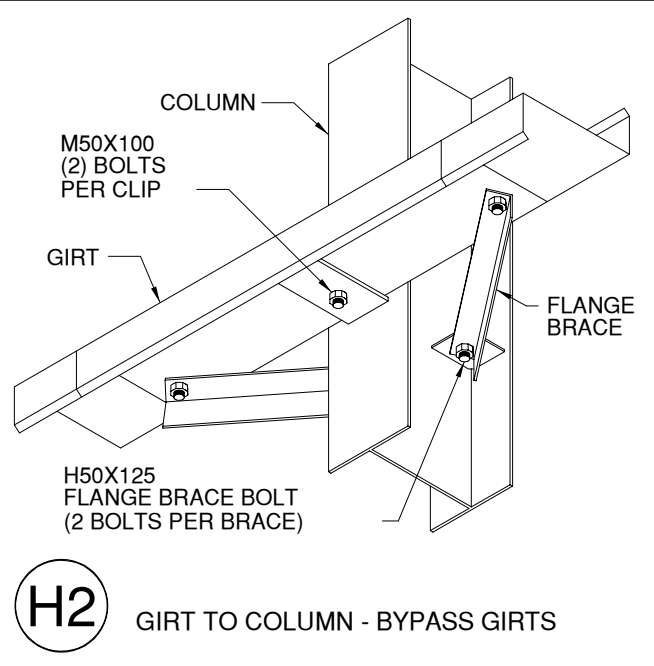
D6 WALL GIRTS TO FLUSH CORNER COLUMN



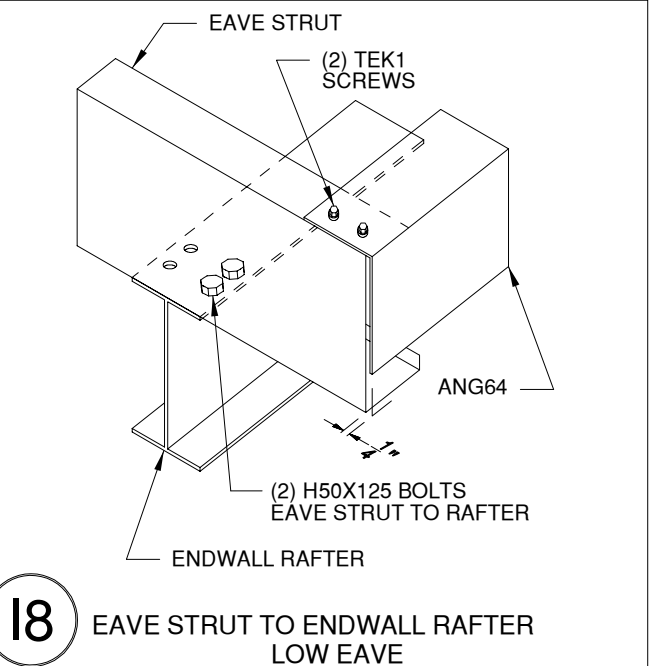
E6 DOOR JAMB TO FOUNDATION



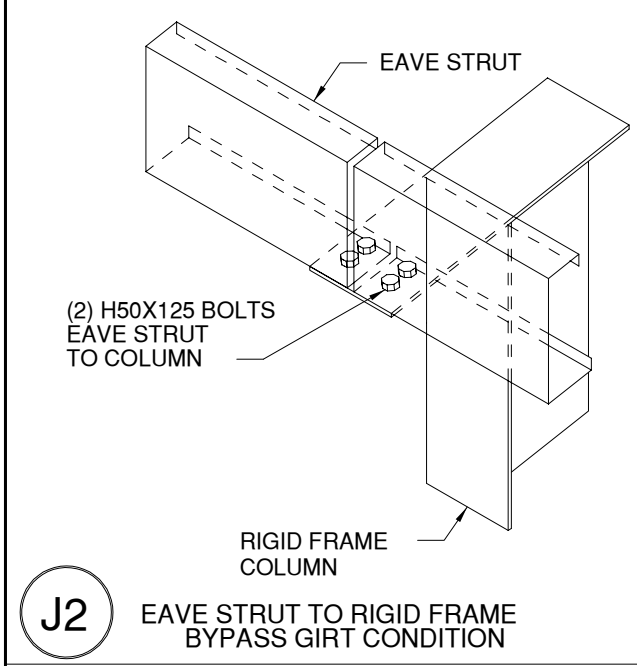
G2 ROOF PURLIN TO INTERIOR FRAME RAFTER



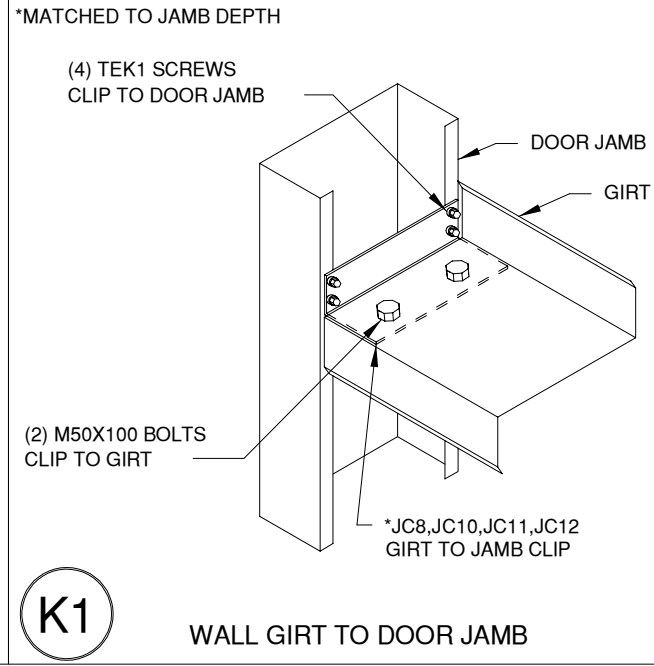
H2 GIRTS TO COLUMN - BYPASS GIRTS



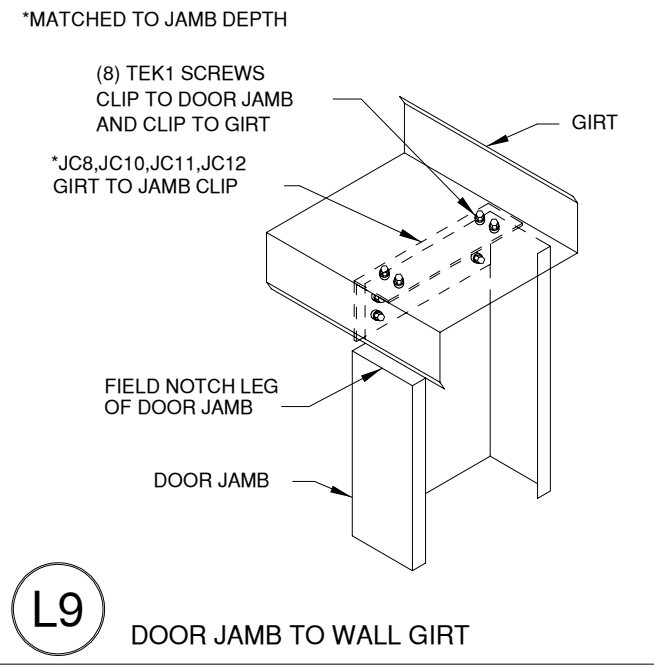
I8 EAVE STRUT TO ENDWALL RAFTER LOW EAVE



J2 EAVE STRUT TO RIGID FRAME BYPASS GIRTS CONDITION



K1 WALL GIRTS TO DOOR JAMB



L9 DOOR JAMB TO WALL GIRTS



Olympia Steel Buildings
400 Island Avenue • McKees Rocks, PA 15136
888-449-7756

MARCUS HAMPERS
30'-0" x 30'-0" x 12'-0"
DATE: 7/12/21 REVISION: 0
ENG: MCK DWN: BJC APPD: MCK

F.O. 25196

MARCUS HAMPERS

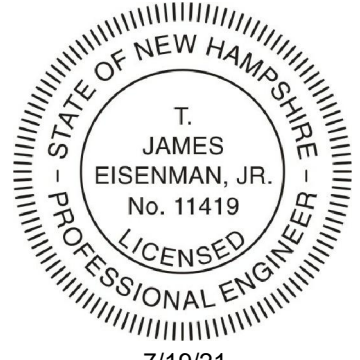
REV.	DESCRIPTION	DATE

DRAWING STATUS

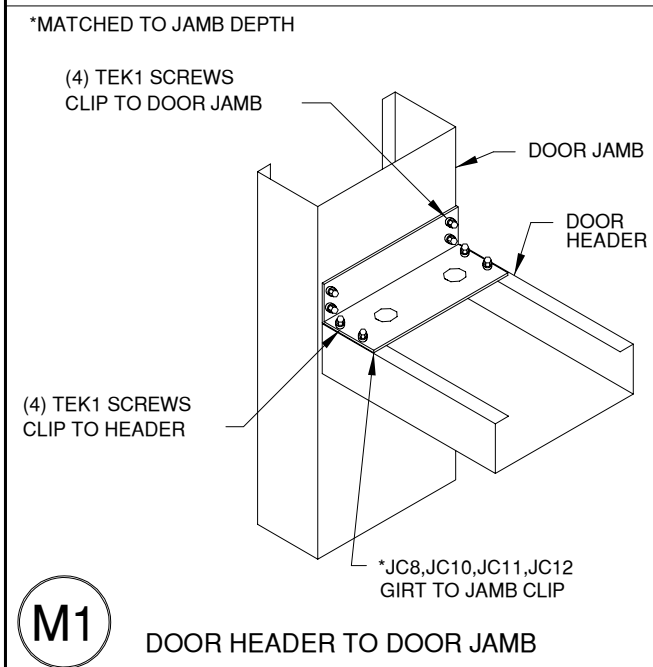
FOR APPROVAL: THESE DRAWINGS, BEING FOR APPROVAL, ARE BY DEFINITION NOT FINAL, AND ARE FOR CONCEPTUAL REPRESENTATION ONLY. THEIR PURPOSE IS TO CONFIRM PROPER INTERPRETATION OF THE PROJECT DOCUMENTS. ONLY DRAWINGS ISSUED "FOR CONSTRUCTION" CAN BE CONSIDERED AS COMPLETE.

FOR PERMIT: THESE DRAWINGS, BEING FOR PERMIT, ARE BY DEFINITION NOT FINAL. ONLY DRAWINGS ISSUED "FOR CONSTRUCTION" CAN BE CONSIDERED AS COMPLETE.

FOR CONSTRUCTION: FINAL DRAWINGS.

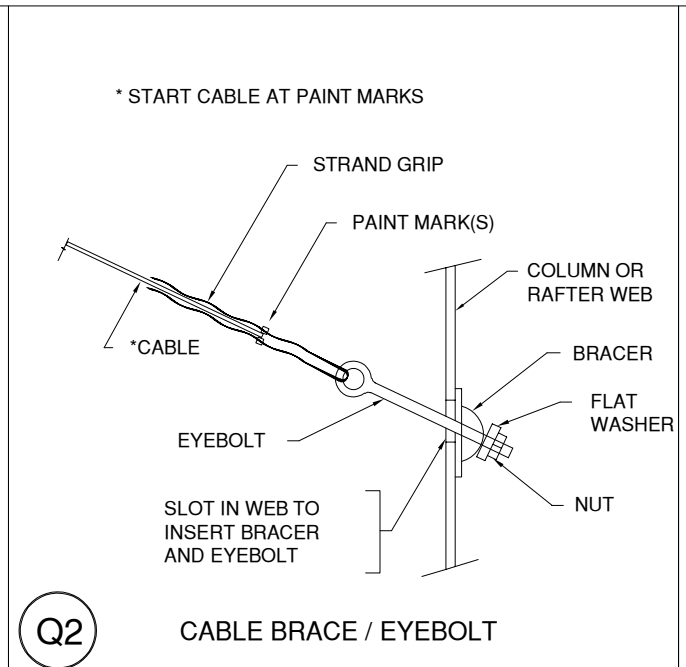


7/19/21



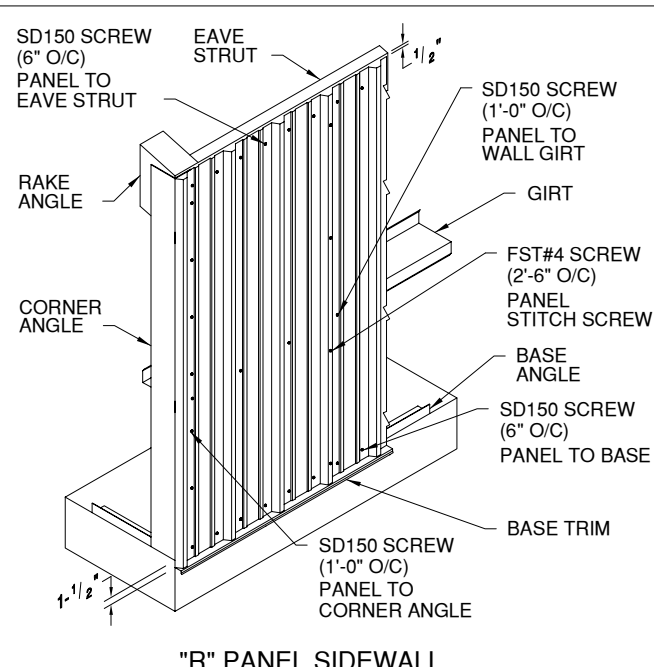
M1

DOOR HEADER TO DOOR JAMB

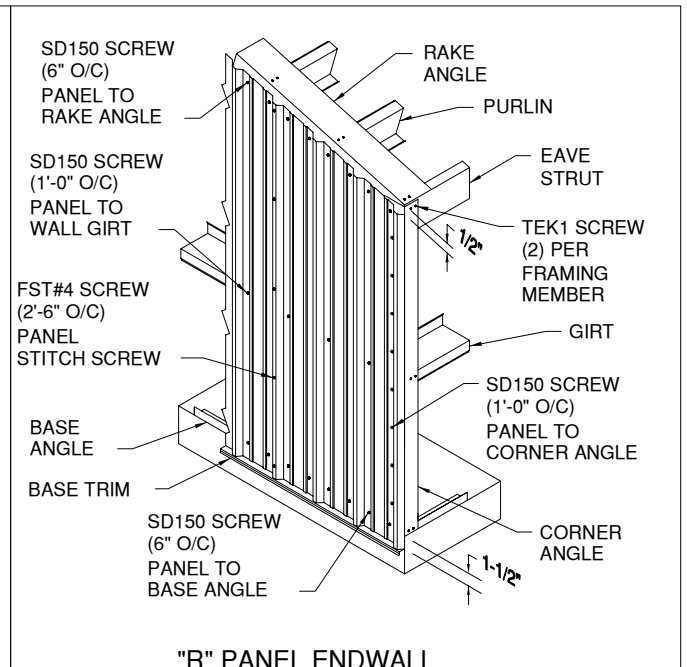


Q2

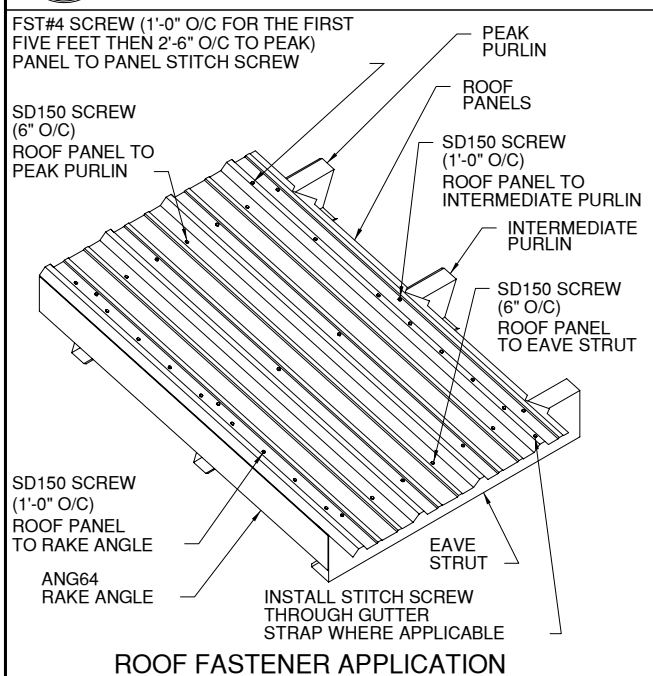
CABLE BRACE / EYEBOLT



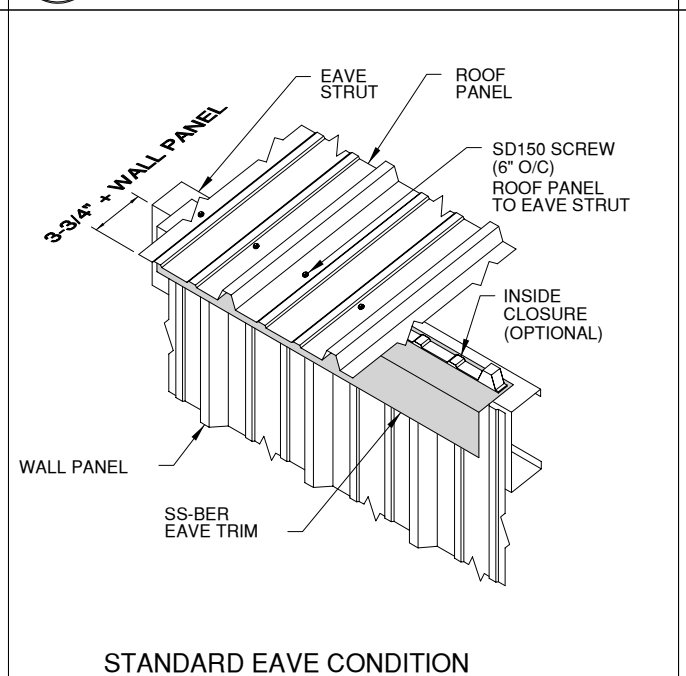
"R" PANEL SIDEWALL



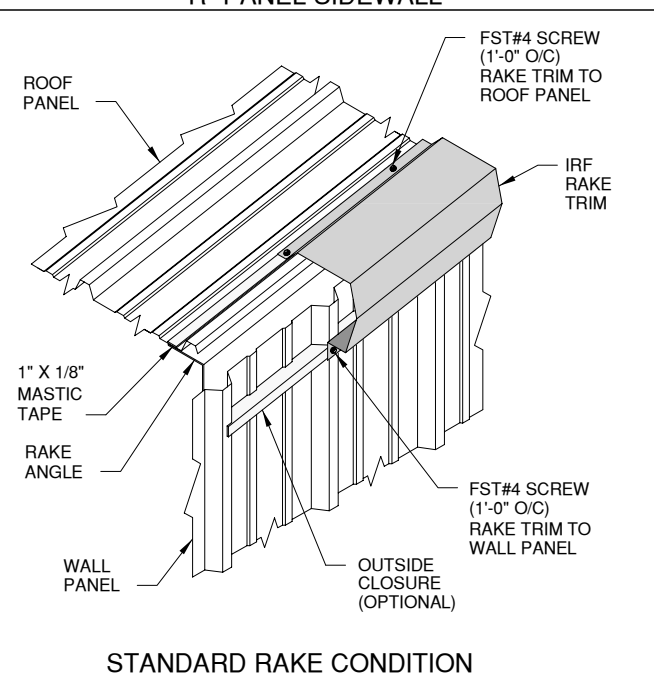
"R" PANEL ENDWALL



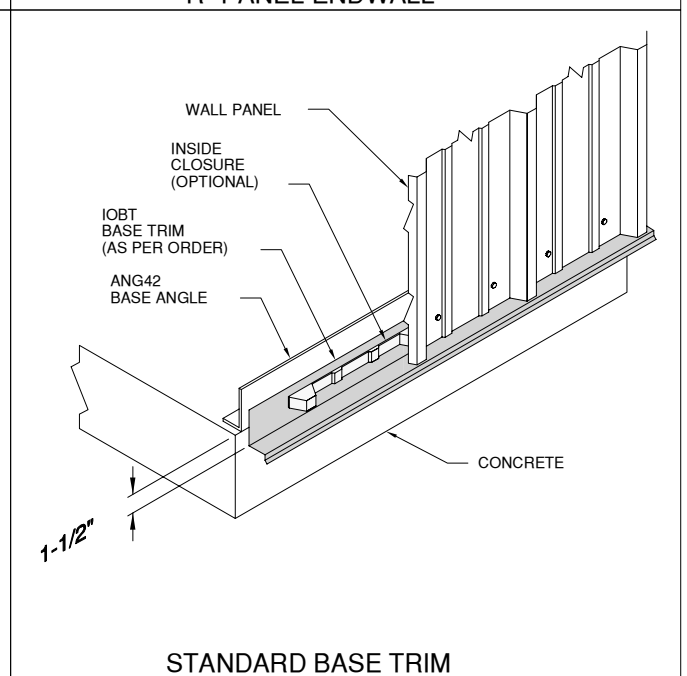
ROOF FASTENER APPLICATION



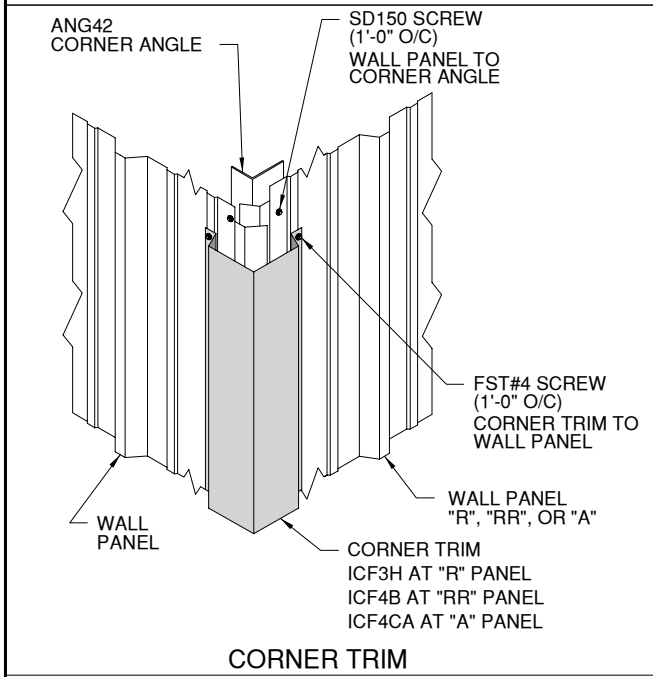
STANDARD EAVE CONDITION



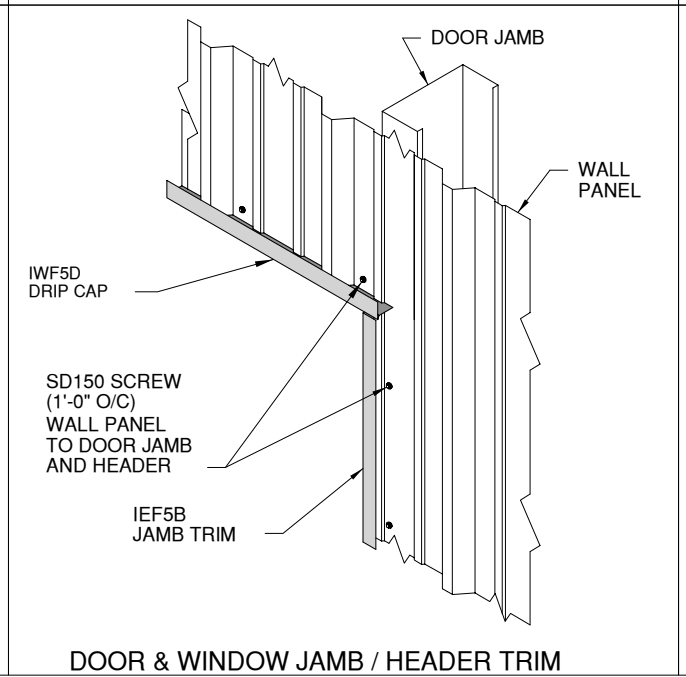
STANDARD RAKE CONDITION



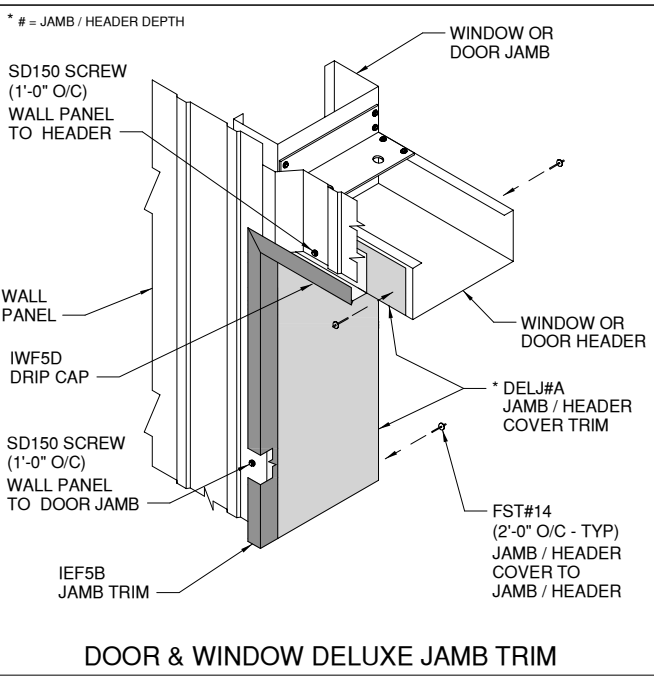
STANDARD BASE TRIM



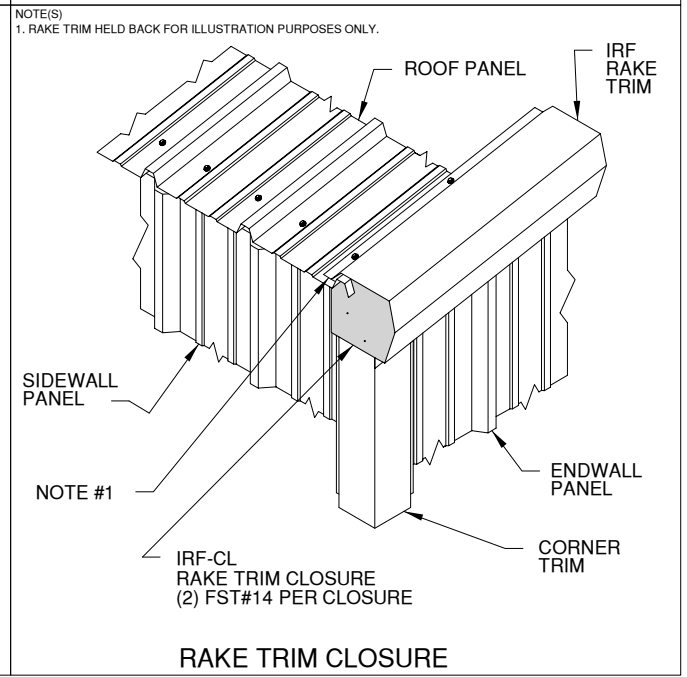
CORNER TRIM



DOOR & WINDOW JAMB / HEADER TRIM



DOOR & WINDOW DELUXE JAMB TRIM



RAKE TRIM CLOSURE



MARCUS HAMPERS

30'-0" x 30'-0" x 12'-0"

DATE: 7/12/21 REVISION: 0

ENG: MCK DWN: BJC APPD: MCK

F.O. 25196

MARCUS HAMPERS

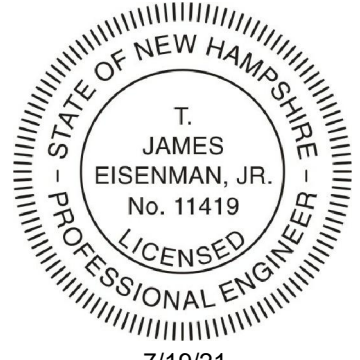
DRAWING STATUS

REV.	DESCRIPTION	DATE

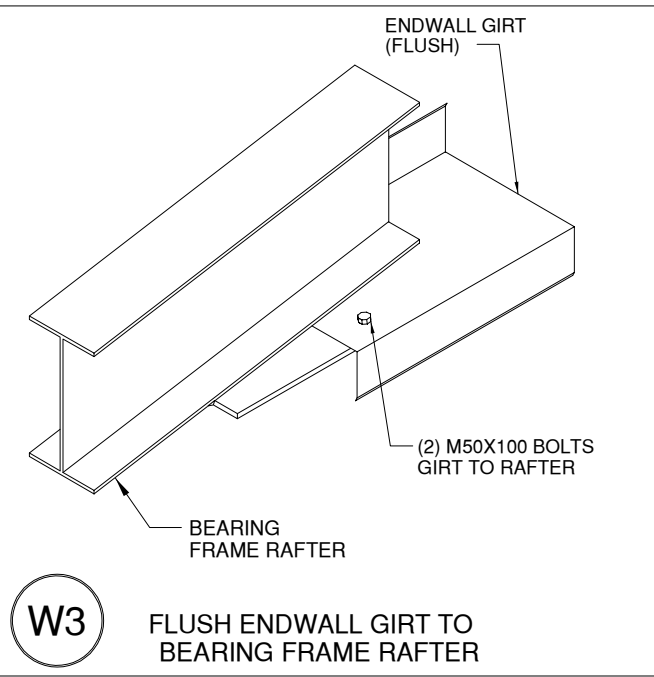
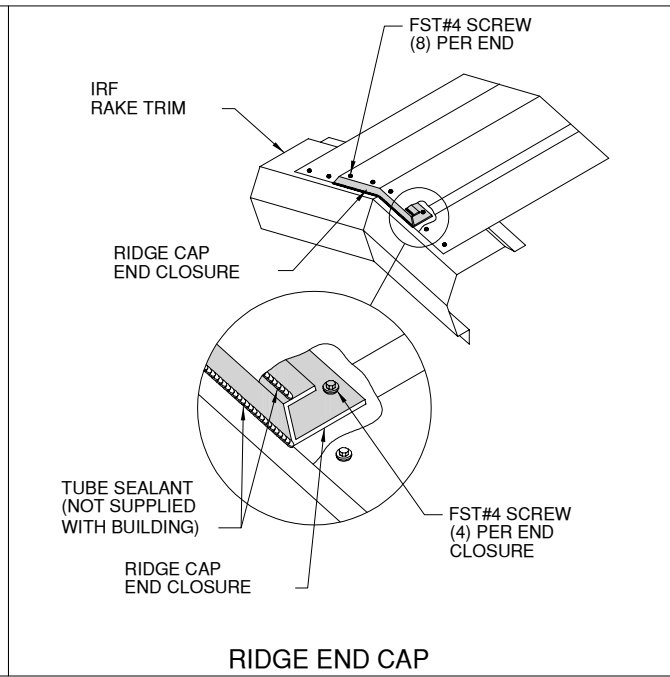
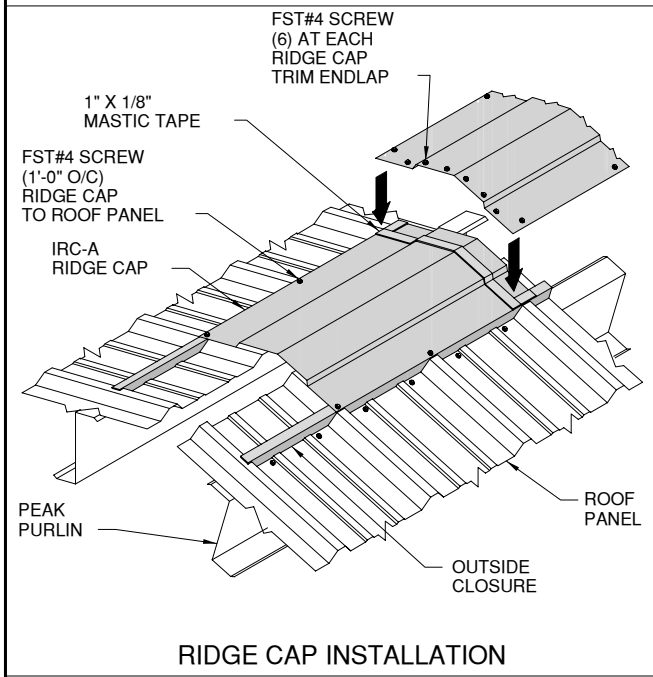
FOR APPROVAL: THESE DRAWINGS, BEING FOR APPROVAL, ARE BY DEFINITION NOT FINAL, AND ARE FOR CONCEPTUAL REPRESENTATION ONLY. THEIR PURPOSE IS TO CONFIRM PROPER INTERPRETATION OF THE PROJECT DOCUMENTS. ONLY DRAWINGS ISSUED "FOR CONSTRUCTION" CAN BE CONSIDERED AS COMPLETE.

FOR PERMIT: THESE DRAWINGS, BEING FOR PERMIT, ARE BY DEFINITION NOT FINAL. ONLY DRAWINGS ISSUED "FOR CONSTRUCTION" CAN BE CONSIDERED AS COMPLETE.

FOR CONSTRUCTION: FINAL DRAWINGS.



7/19/21



MARCUS HAMPERS
 30'-0" x 30'-0" x 12'-0"
 DATE: 7/12/21 REVISION: 0
 ENG: MCK DWN: BJC APPD: MCK

F.O. 25196

MARCUS HAMPERS

REV.	DESCRIPTION	DATE

DRAWING STATUS

FOR APPROVAL: THESE DRAWINGS, BEING FOR APPROVAL, ARE BY DEFINITION NOT FINAL, AND ARE FOR CONCEPTUAL REPRESENTATION ONLY. THEIR PURPOSE IS TO CONFIRM PROPER INTERPRETATION OF THE PROJECT DOCUMENTS. ONLY DRAWINGS ISSUED "FOR CONSTRUCTION" CAN BE CONSIDERED AS COMPLETE.

FOR PERMIT: THESE DRAWINGS, BEING FOR PERMIT, ARE BY DEFINITION NOT FINAL. ONLY DRAWINGS ISSUED "FOR CONSTRUCTION" CAN BE CONSIDERED AS COMPLETE.

FOR CONSTRUCTION: FINAL DRAWINGS.

