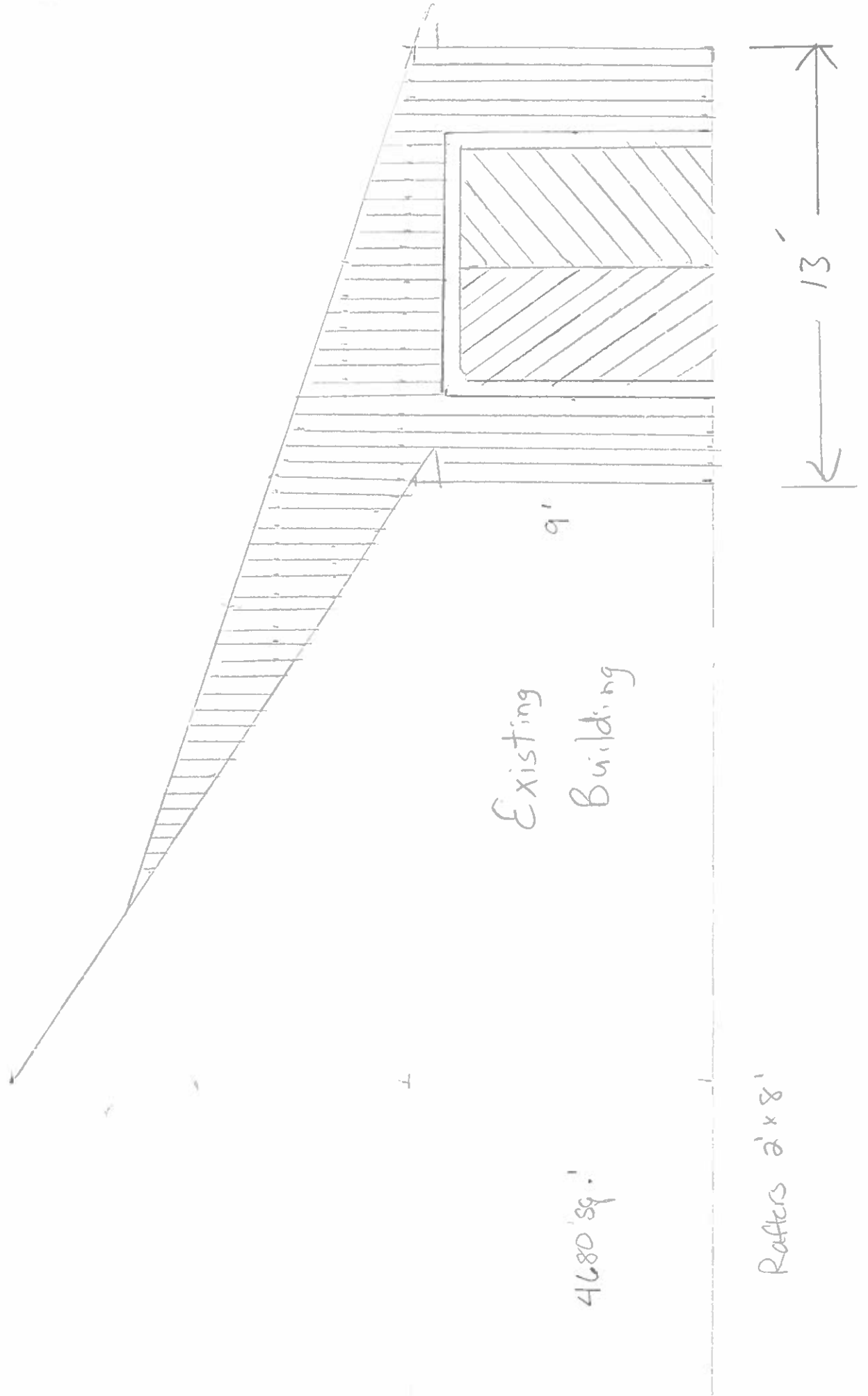


proposed beam to on back of barn at Mountain Valley Treatment Center
703 River Road, Plainfield



Existing Building

4680 sq.

Rafters 2' x 8'

13'

9'

Side view

