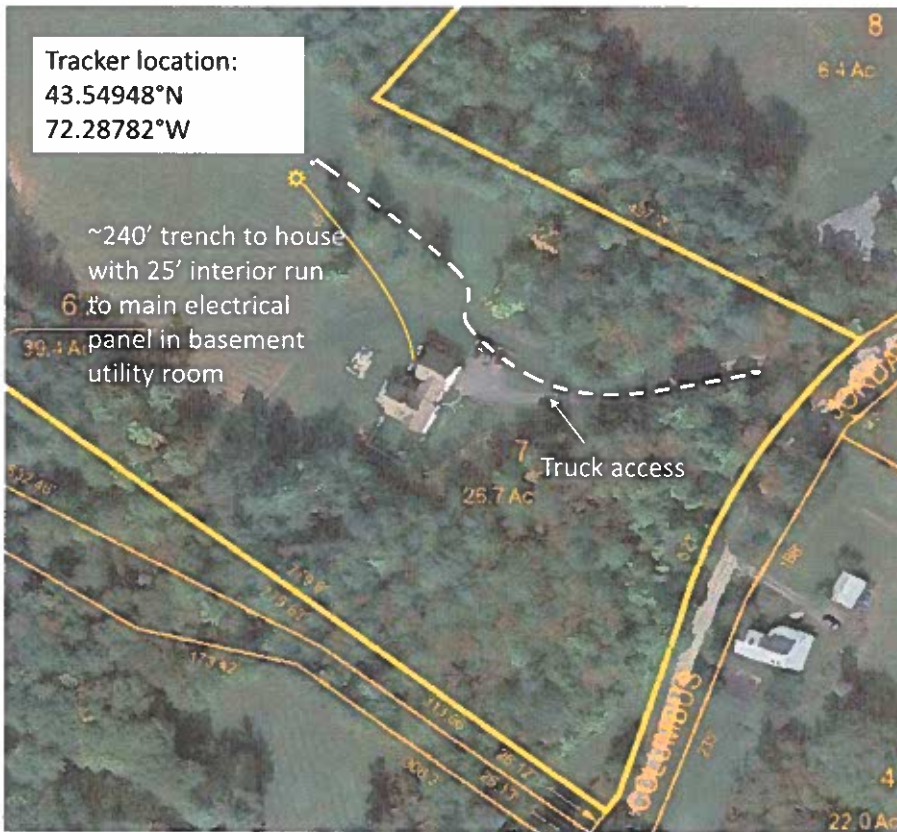
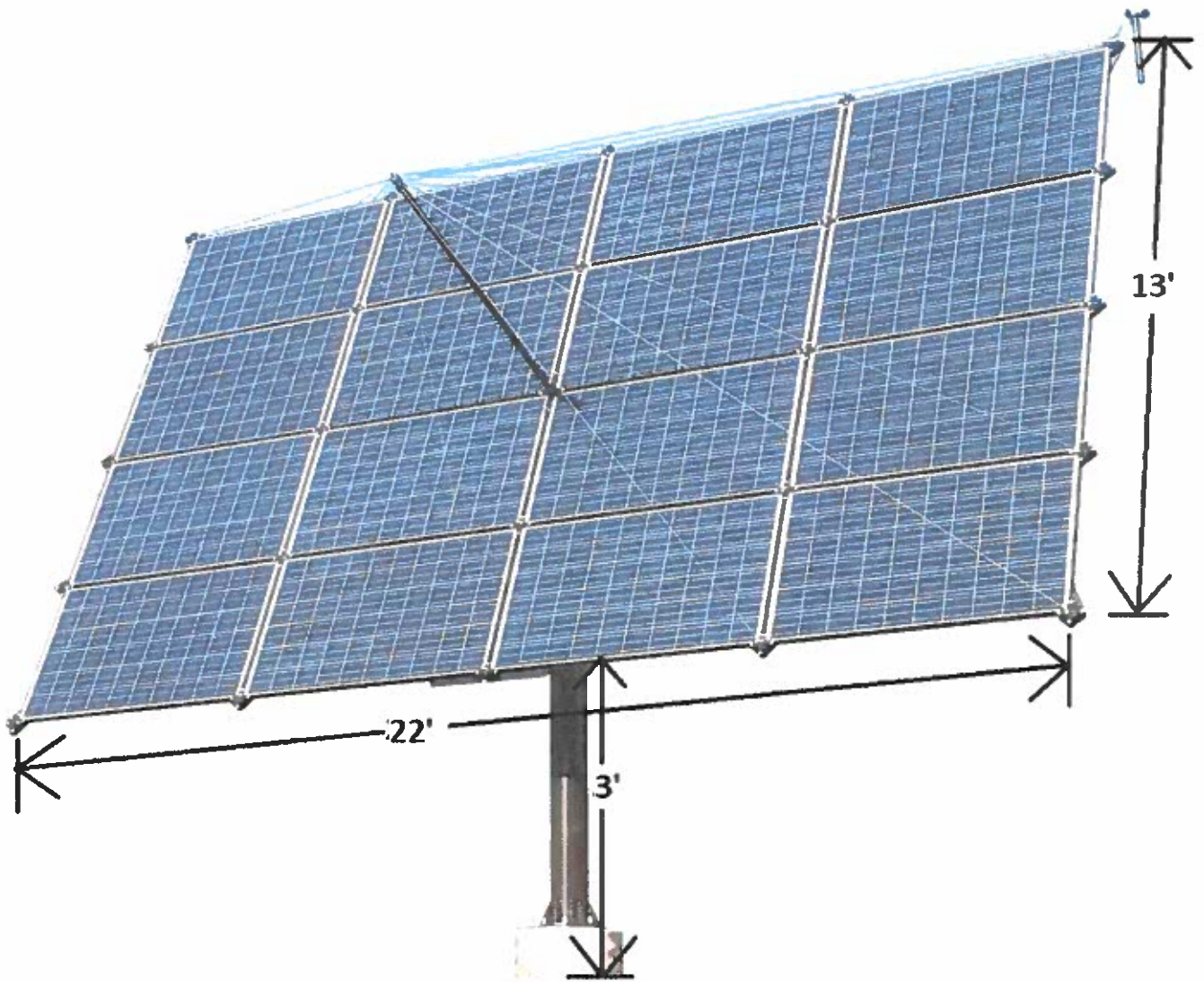
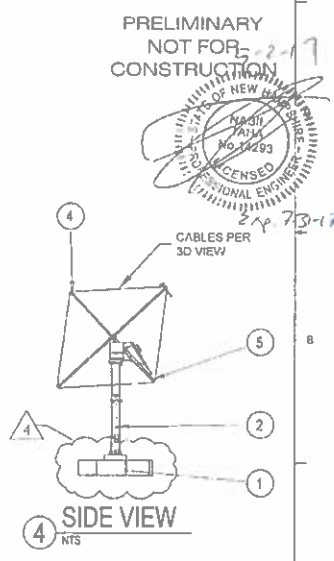
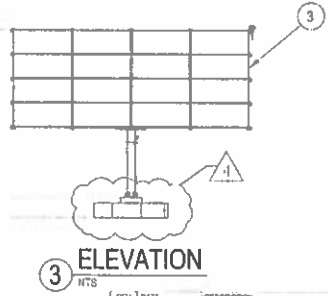
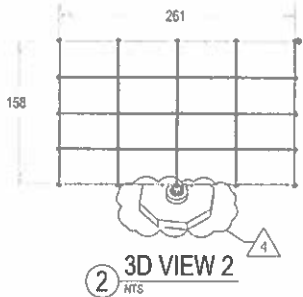
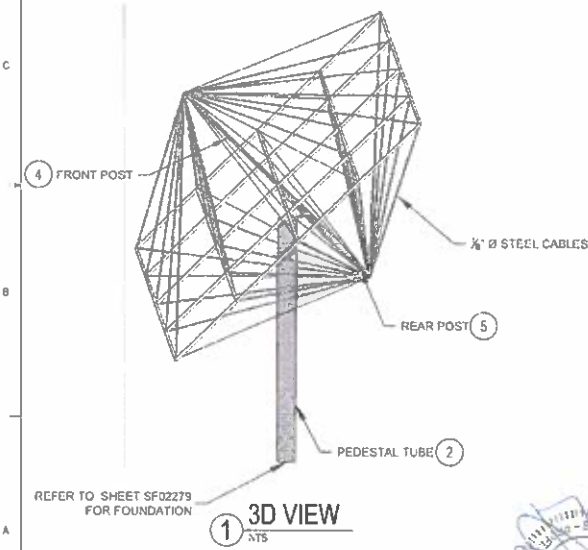


Tracker location:
43.54948°N
72.28782°W





ITEM NO.	PART NUMBER	QTY.
①	SF02279 Round Concrete Pad ASSY	1
②	SF02716 Structural ASSY 6.2 - Pedestal Tube: 10" O.D. x 0.25" or 10" Schedule 40	1
③	SF02441 PV Array ASSY v6.1 R	1
④	SF02439 Front Post ASSY v6.1 PV - 1.50" O.D. x 0.25"	1
⑤	SF02758 Rear Post ASSY v6.2 - 2.00" O.D. x 0.25"	2



PRELIMINARY
NOT FOR
CONSTRUCTION

Professional Engineer
No. 19293
Exp. 7/31-17

Professional Engineer
No. 19293
Exp. 7/31-17

PROFESSIONAL ENGINEER
THE INFORMATION CONTAINED IN THIS DRAWING IS THE SOLE PROPERTY OF SOLARLECT ENERGY LLC. ANY REPRODUCTION IN PART OR AS A WHOLE WITHOUT THE WRITTEN PERMISSION OF SOLARLECT ENERGY LLC IS PROHIBITED.

REV	DATE	DESCRIPTION
2	2018-08-30	ANCHOR BOLT AND CABLE SIZE
3	2018-09-24	FOUNDATION NOTES
4	2018-08-29	FOUNDATION HEIGHT
5	2017-04-21	ANCHOR BOLT GRADE AND SHAPE

SOLARLECT ENERGY
10000 W. 100th St. Suite 100, Overland Park, KS 66204

Dimensions in inches

DATE: 2018-08-29
DRAWN BY: JMM
CHECKED BY: JMM
DATE: 2018-08-29

Sheet 1 of 2
Title: B
Project: SF02279

EARTHWORK

- EXISTING UTILITIES: LOCATE BY HAND EXCAVATION AND PROVIDE PROTECTION FROM DAMAGE. COOPERATE WITH OWNER AND UTILITY COMPANIES FOR MAINTAINING SERVICES.
- PROTECTIONS: PROTECT STRUCTURES, UTILITIES, PAVEMENTS, AND OTHER FACILITIES IN AREAS OF WORK. BARRICADE OPEN EXCAVATIONS AND PROVIDE SAFE WORKING CONDITIONS. COMPLY WITH REGULATIONS FOR ALL EXCAVATION AND BACKFILLING WITH ASTM D 2487 SOIL GROUPS GW, GP, GM, SM, SW BEARING CAPACITY LISTED IN NOTE 6 BELOW. REFER TO SPECIFICATIONS FOR STRUCTURES IN THE LATEST EDITION OF THE V. VERMONT AGENCY OF TRANSPORTATION (VTTRANS) SPECIFICATIONS FOR CONSTRUCTION.
- SATISFACTORY SOIL MATERIALS: DEFINED AS SOILS THAT MEET OR EXCEEDS THE ASSUMED BEARING CAPACITY FOR FOUNDATION DESIGN IS A MINIMUM OF 1,500 POUNDS PER SQUARE FOOT.
- ENGINEERED FILL: ENGINEERED FILL SHALL MEET THE REQUIREMENTS CALLED OUT FOR ITEM 704.08 VERMONT AGENCY OF TRANSPORTATION (VTTRANS) SPECIFICATIONS FOR CONSTRUCTION.
- SITE MUST BE WELL-DRAINED SO THAT WATER DOES NOT INTRODUCE POTENTIAL FOR FREEZING BENEATH FOOTING. IF WATER TABLE IS HIGH, FOOTING MUST BE LOWERED BELOW FROST LINE.
- FOOTINGS: PLACE FOOTINGS ON UNDISTURBED SATISFACTORY SOIL OR COMPACTED STRUCTURAL FILL. ASSUMED BEARING CAPACITY FOR FOUNDATION DESIGN IS A MINIMUM OF 1,500 POUNDS PER SQUARE FOOT.

1 EARTH WORK NOTES
NTS

PRELIMINARY
NOT FOR
CONSTRUCTION



ACCEPTABLE		GROUP SYMBOL	GROUP NAME
COURSE GRAINED SOILS MORE THAN 50% RETAINED ON OR ABOVE NO. 200 SIEVE	GRAVEL >50% OF COURSE FRACTION RETAINED ON NO. 4 SIEVE	CLEAN GRAVEL <5% SMALLER THAN #200 SIEVE	GW WELL-GRADED GRAVEL, FINE TO COARSE GRAVEL
		GRAVEL WITH 12% FINES	GP POORLY GRADED GRAVEL
	SAND > 50% OF COURSE FRACTION PASSES NO. 4 SIEVE	CLEAN SAND	SW WELL-GRADED SAND, FINE TO COARSE SAND
		SAND WITH 12% FINES	SP POORLY GRADED SAND
		SM	SALTY SAND
		SC	SALTY SAND (NOT ACCEPTABLE)

NOT ACCEPTABLE		GROUP SYMBOL	GROUP NAME
FINE GRAINED SOILS 50% OR MORE THAN 50% PASSING THE NO. 200 SIEVE	SILT AND CLAY LIQUID LIMIT < 50	INORGANIC	MI SILT
		ORGANIC	OL CLAY OF LOW PLASTICITY, LEAN CLAY
	SILT AND CLAY LIQUID LIMIT ≥ 50	INORGANIC	CI CLAY OF HIGH PLASTICITY, FAT CLAY
		ORGANIC	CIH ORGANIC CLAY, UNLIGNIC SILT
HIGHLY ORGANIC SOILS		PI	PEAT

LETTER	DEFINITION
G	GRAVEL
S	SAND
M	SILT
C	CLAY
U	ORGANIC

LETTER	DEFINITION
P	POORLY GRADED (UNIFORM) PARTICLE SIZE
W	WELL-GRADED (UNDERSIZED) PARTICLE SIZES
H	HIGH PLASTICITY
L	LOW PLASTICITY

1 SOIL TYPES
NTS

REV	DATE	DESCRIPTION	SOIL TYPES
2	2016-08-30	ANCHOR BOLT AND CABLE SIZE	
3	2016-08-24	FOUNDATION NOTES	
4	2016-08-29	FOUNDATION HEIGHT	
5	2017-04-21	ANCHOR BOLT GRADE AND SHAPE	

SOLAFLECT ENERGY

100 FRANCHISE

ONE PLACE DEC +4.4 100
TWO PLACE DEC +4.500
THREE PLACE DEC +4.500
FOUR PLACE DEC +4.500

Foundation Notes

DESIGN DATE: 2016-08-23

PROPRIETARY AND CONFIDENTIAL
THE INFORMATION CONTAINED IN THIS DRAWING IS THE SOLE PROPERTY OF SOLAFLECT ENERGY, LLC. ANY REPRODUCTION BY ANY OTHER PARTY WITHOUT THE WRITTEN PERMISSION OF SOLAFLECT ENERGY, LLC IS PROHIBITED.